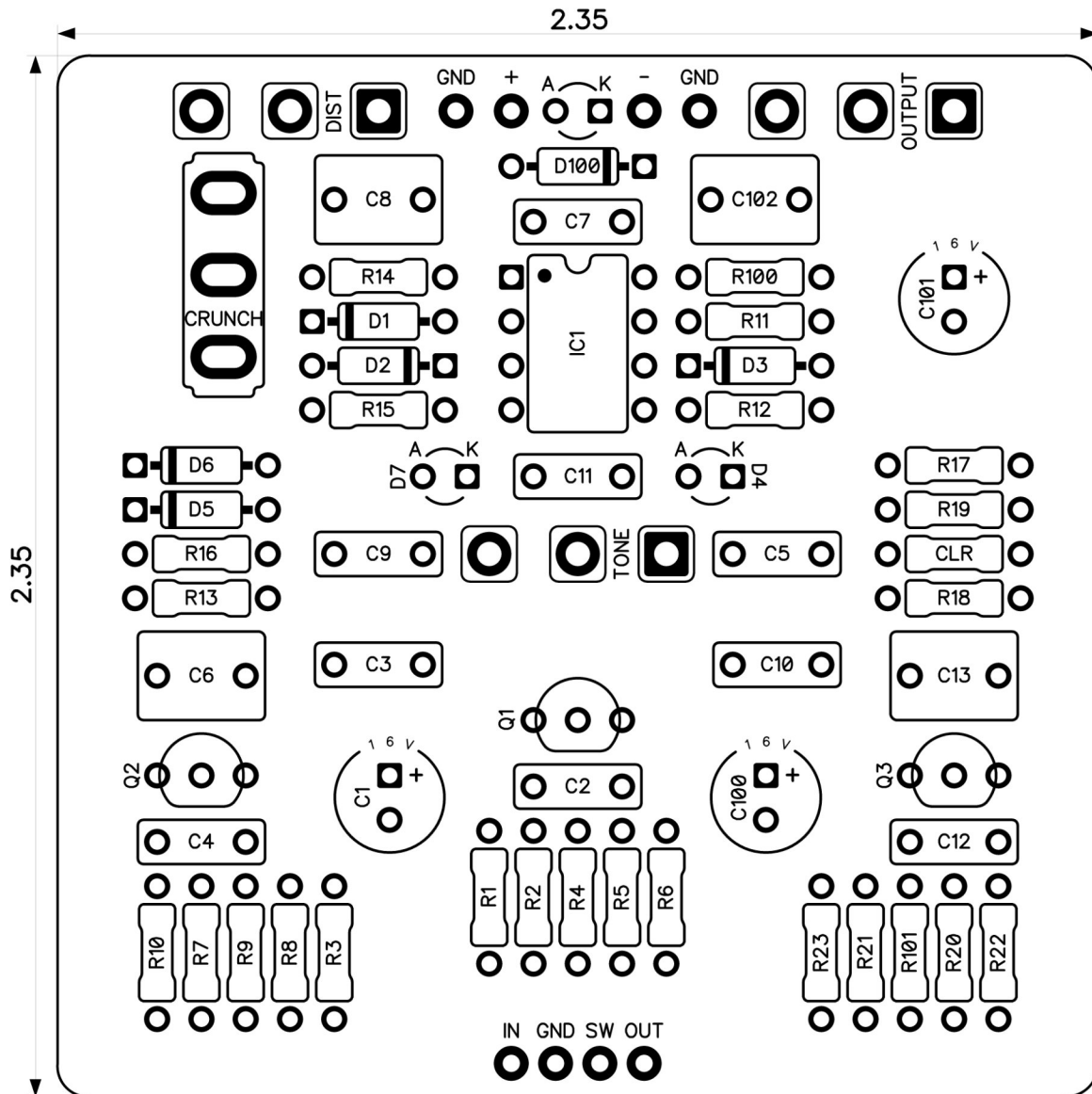


# PedalPCB

## Patron Distortion

Revised 4/27/24



### CONTROLS AND FEATURES

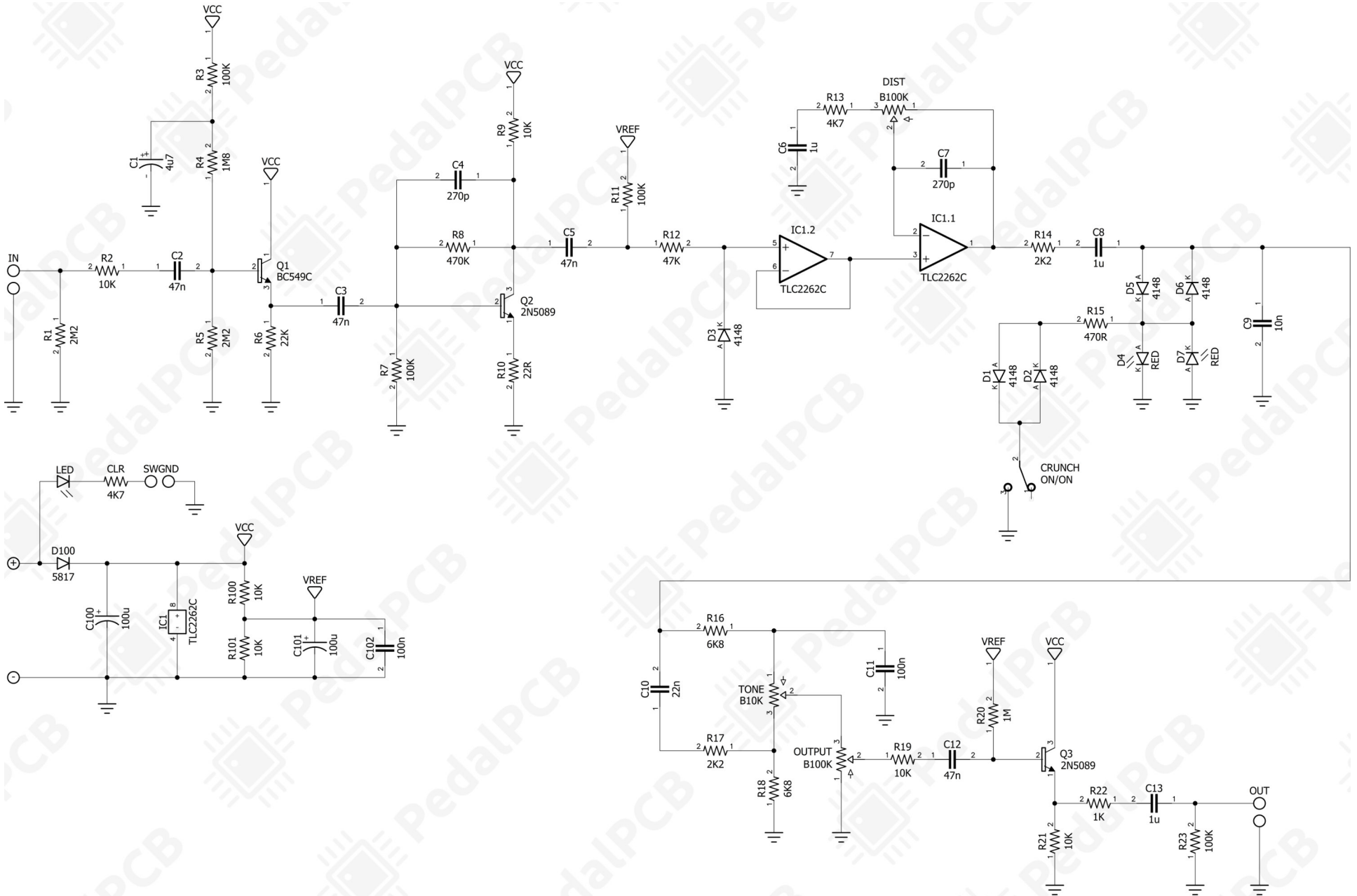
- Output
- Tone
- Distortion
- Crunch (Toggle switch)

All trademarks and registered trademarks are the property of their respective owners. The company, product, and service names used in this web site are for identification purposes only. Use of these names, logos, and brands does not imply endorsement.

LOCATION	VALUE	TYPE	NOTES
R1	2M2	Resistor, 1/4W	
R2	10K	Resistor, 1/4W	
R3	100K	Resistor, 1/4W	
R4	1M8	Resistor, 1/4W	
R5	2M2	Resistor, 1/4W	
R6	22K	Resistor, 1/4W	
R7	100K	Resistor, 1/4W	
R8	470K	Resistor, 1/4W	
R9	10K	Resistor, 1/4W	
R10	22R	Resistor, 1/4W	
R11	100K	Resistor, 1/4W	
R12	47K	Resistor, 1/4W	
R13	4K7	Resistor, 1/4W	
R14	2K2	Resistor, 1/4W	
R15	470R	Resistor, 1/4W	
R16	6K8	Resistor, 1/4W	
R17	2K2	Resistor, 1/4W	
R18	6K8	Resistor, 1/4W	
R19	10K	Resistor, 1/4W	
R20	1M	Resistor, 1/4W	
R21	10K	Resistor, 1/4W	
R22	1K	Resistor, 1/4W	
R23	100K	Resistor, 1/4W	
R100	10K	Resistor, 1/4W	
R101	10K	Resistor, 1/4W	
CLR	4K7	Resistor, 1/4W	* LED current limiting resistor
C1	4u7	Electrolytic capacitor, 5mm	
C2	47n	Film capacitor, 7.2 x 2.5mm	
C3	47n	Film capacitor, 7.2 x 2.5mm	
C4	270p	Ceramic capacitor	
C5	47n	Film capacitor, 7.2 x 2.5mm	
C6	1u	Film capacitor, 7.2 x 5.0mm	
C7	270p	Ceramic capacitor	
C8	1u	Film capacitor, 7.2 x 5.0mm	
C9	10n	Film capacitor, 7.2 x 2.5mm	
C10	22n	Film capacitor, 7.2 x 2.5mm	
C11	100n	Film capacitor, 7.2 x 2.5mm	
C12	47n	Film capacitor, 7.2 x 2.5mm	
C13	1u	Film capacitor, 7.2 x 5.0mm	
C100	100u	Electrolytic capacitor, 5mm	
C101	100u	Electrolytic capacitor, 5mm	
C102	100n	Film capacitor, 7.2 x 2.5mm	
D1	1N4148	Signal diode, DO-35	
D2	1N4148	Signal diode, DO-35	
D3	1N4148	Signal diode, DO-35	
D4	RED	3mm Red LED, Diffused	
D5	1N4148	Signal diode, DO-35	
D6	1N4148	Signal diode, DO-35	
D7	RED	3mm Red LED, Diffused	
D100	1N5817	Schottky diode, DO-41	
Q1	BC549C	BJT transistor, NPN TO-92	
Q2	2N5089	BJT transistor, NPN TO-92	
Q3	2N5089	BJT transistor, NPN TO-92	
IC1	TLC2262C	Dual op-amp, DIP8	
OUTPUT	B100K	16mm right-angle PCB mount pot	
TONE	B10K	16mm right-angle PCB mount pot	
DISTORTION	B100K	16mm right-angle PCB mount pot	
CRUNCH	ON/ON	Toggle switch, SPDT	2-position (ON/ON)

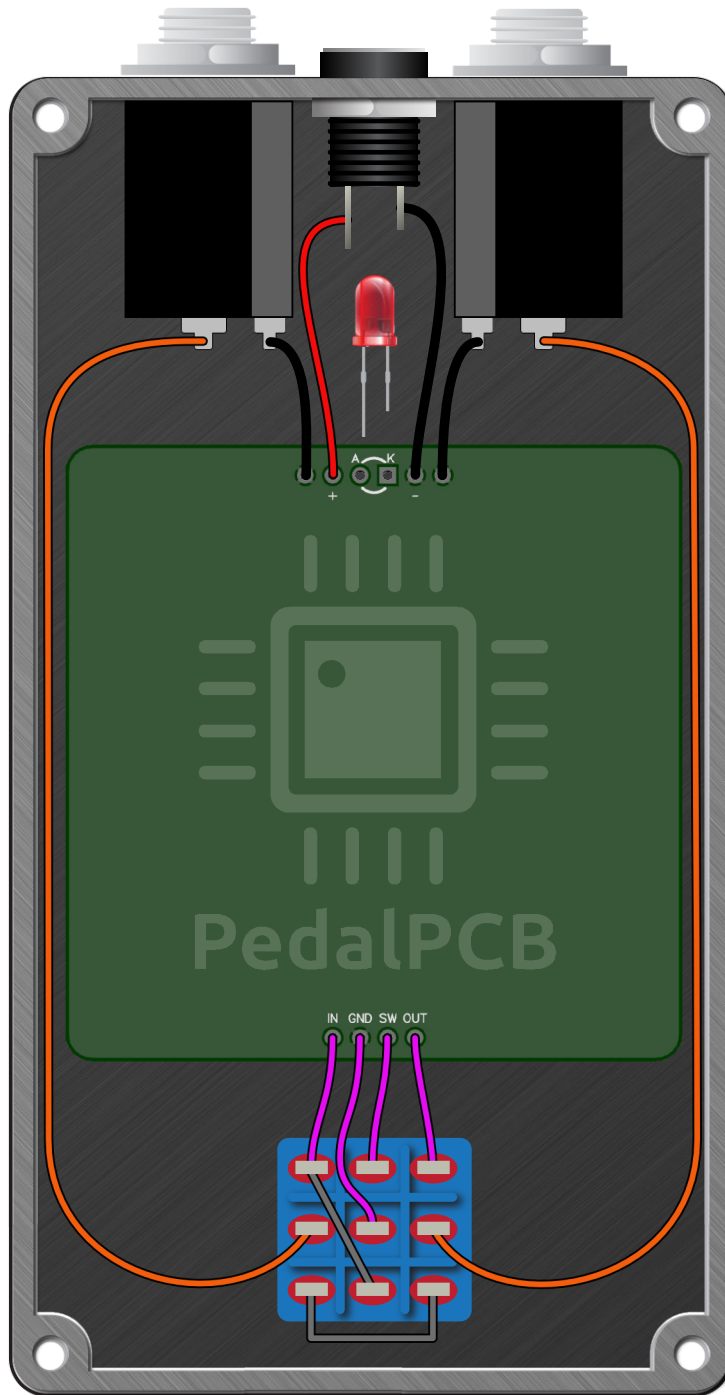
# Patron Distortion

## Schematic Diagram



# Patron Distortion

Wiring Diagram



# Patron Distortion

Drill Template  
125B Enclosure

