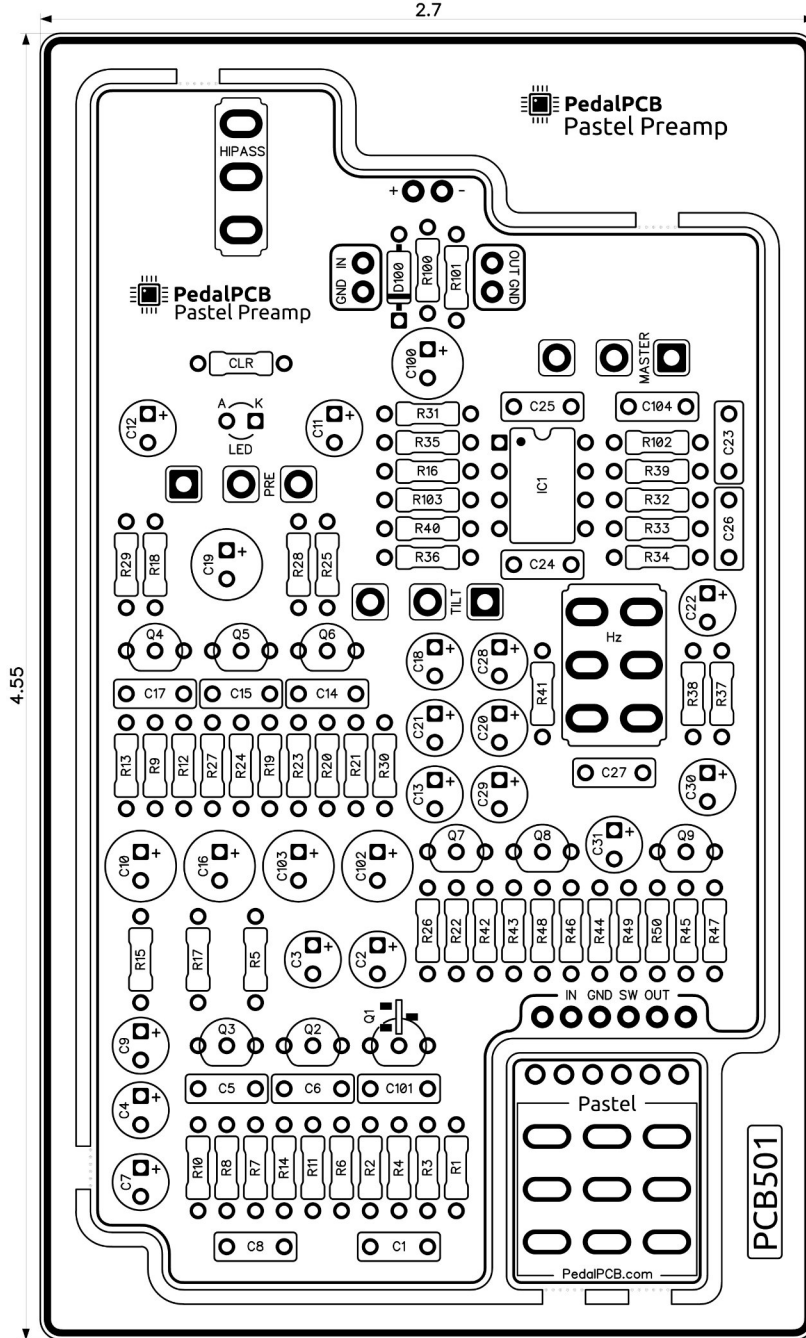




PedalPCB Pastel Preamp

Revised 12/18/24



CONTROLS AND FEATURES

- Master
- Tilt
- Pre-Volume
- Hi-Pass (Toggle switch)
- Hi-Pass Frequency (Toggle switch)

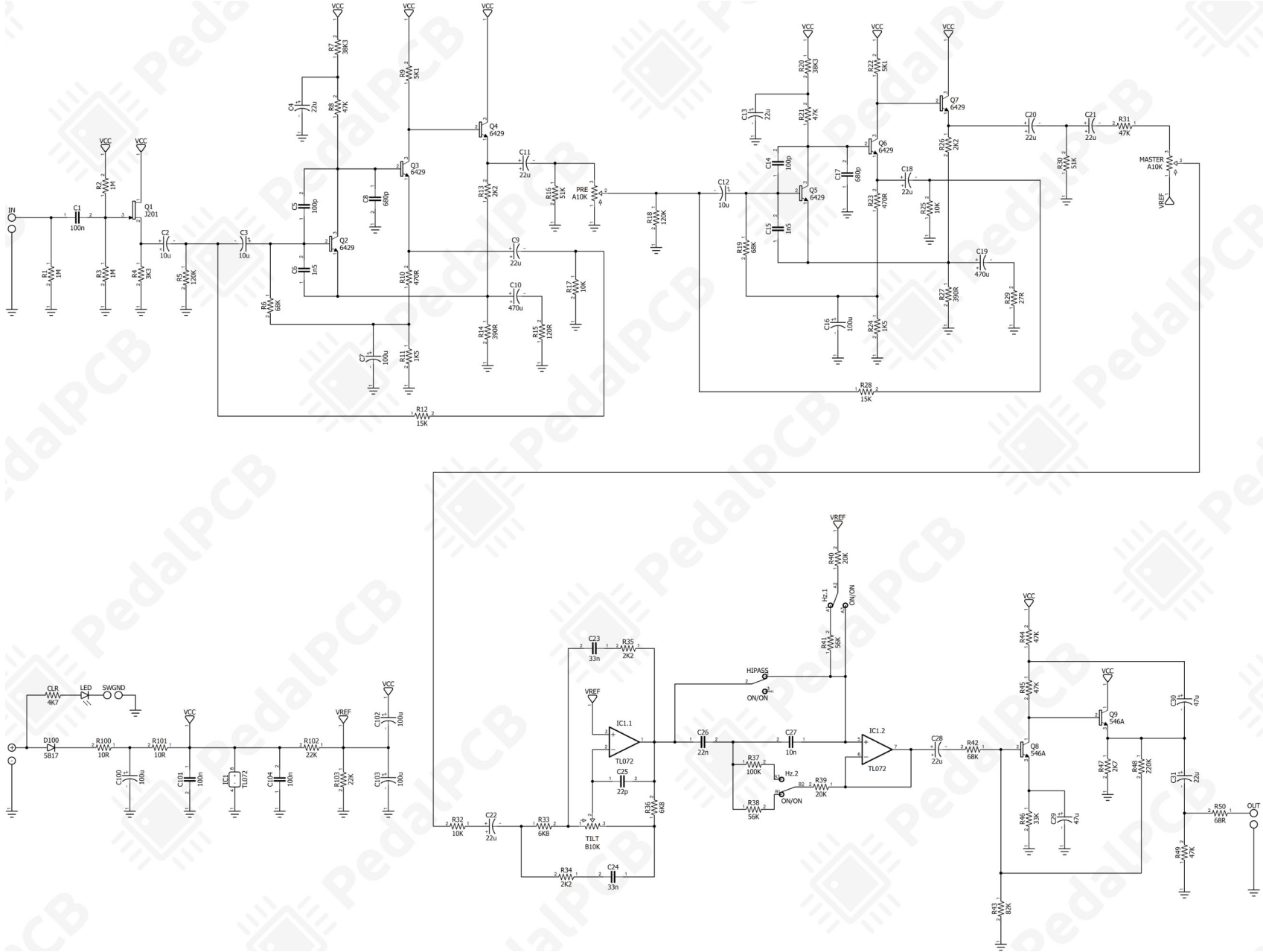
All trademarks and registered trademarks are the property of their respective owners. The company, product, and service names used in this web site are for identification purposes only. Use of these names, logos, and brands does not imply endorsement.

LOCATION	VALUE	TYPE	NOTES
R1	1M	Resistor, 1/4W	
R2	1M	Resistor, 1/4W	
R3	1M	Resistor, 1/4W	
R4	3K3	Resistor, 1/4W	
R5	120K	Resistor, 1/4W	
R6	68K	Resistor, 1/4W	
R7	38K3	Resistor, 1/4W	
R8	47K	Resistor, 1/4W	
R9	5K1	Resistor, 1/4W	
R10	470R	Resistor, 1/4W	
R11	1K5	Resistor, 1/4W	
R12	15K	Resistor, 1/4W	
R13	2K2	Resistor, 1/4W	
R14	390R	Resistor, 1/4W	
R15	120R	Resistor, 1/4W	
R16	51K	Resistor, 1/4W	
R17	10K	Resistor, 1/4W	
R18	120K	Resistor, 1/4W	
R19	68K	Resistor, 1/4W	
R20	38K3	Resistor, 1/4W	
R21	47K	Resistor, 1/4W	
R22	5K1	Resistor, 1/4W	
R23	470R	Resistor, 1/4W	
R24	1K5	Resistor, 1/4W	
R25	10K	Resistor, 1/4W	
R26	2K2	Resistor, 1/4W	
R27	390R	Resistor, 1/4W	
R28	15K	Resistor, 1/4W	
R29	27R	Resistor, 1/4W	
R30	51K	Resistor, 1/4W	
R31	47K	Resistor, 1/4W	
R32	10K	Resistor, 1/4W	
R33	6K8	Resistor, 1/4W	
R34	2K2	Resistor, 1/4W	
R35	2K2	Resistor, 1/4W	
R36	6K8	Resistor, 1/4W	
R37	56K	Resistor, 1/4W	
R38	100K	Resistor, 1/4W	
R39	20K	Resistor, 1/4W	
R40	20K	Resistor, 1/4W	
R41	56K	Resistor, 1/4W	
R42	68K	Resistor, 1/4W	
R43	82K	Resistor, 1/4W	
R44	47K	Resistor, 1/4W	
R45	47K	Resistor, 1/4W	
R46	33K	Resistor, 1/4W	
R47	2K7	Resistor, 1/4W	
R48	220K	Resistor, 1/4W	
R49	47K	Resistor, 1/4W	
R50	68R	Resistor, 1/4W	
R100	10R	Resistor, 1/4W	
R101	10R	Resistor, 1/4W	
R102	22K	Resistor, 1/4W	
R103	22K	Resistor, 1/4W	
CLR	4K7	Resistor, 1/4W	* LED current limiting resistor
		<i>Continued on next page...</i>	

LOCATION	VALUE	TYPE	NOTES
C1	100n	Film capacitor, 7.2 x 2.5mm	
C2	10u	Electrolytic capacitor, 5.0mm	
C3	10u	Electrolytic capacitor, 5.0mm	
C4	22u	Electrolytic capacitor, 5.0mm	
C5	100p	Ceramic capacitor	
C6	1n5	Film capacitor, 7.2 x 2.5mm	
C7	100u	Electrolytic capacitor, 5.0mm	
C8	680p	Ceramic capacitor	
C9	22u	Electrolytic capacitor, 5.0mm	
C10	470u	Electrolytic capacitor, 8.0mm	
C11	22u	Electrolytic capacitor, 5.0mm	
C12	10u	Electrolytic capacitor, 5.0mm	
C13	22u	Electrolytic capacitor, 5.0mm	
C14	100p	Ceramic capacitor	
C15	1n5	Film capacitor, 7.2 x 2.5mm	
C16	100u	Electrolytic capacitor, 5.0mm	
C17	680p	Ceramic capacitor	
C18	22u	Electrolytic capacitor, 5.0mm	
C19	470u	Electrolytic capacitor, 8.0mm	
C20	22u	Electrolytic capacitor, 5.0mm	
C21	22u	Electrolytic capacitor, 5.0mm	
C22	22u	Electrolytic capacitor, 5.0mm	
C23	33n	Film capacitor, 7.2 x 2.5mm	
C24	33n	Film capacitor, 7.2 x 2.5mm	
C25	22p	Ceramic capacitor	
C26	22n	Film capacitor, 7.2 x 2.5mm	
C27	10n	Film capacitor, 7.2 x 2.5mm	
C28	22u	Electrolytic capacitor, 5.0mm	
C29	47u	Electrolytic capacitor, 5.0mm	
C30	47u	Electrolytic capacitor, 5.0mm	
C31	22u	Electrolytic capacitor, 5.0mm	
C100	100u	Electrolytic capacitor, 5.0mm	⚡ 25V minimum voltage
C101	100n	Film capacitor, 7.2 x 2.5mm	
C102	100u	Electrolytic capacitor, 5.0mm	
C103	100u	Electrolytic capacitor, 5.0mm	
C104	100n	Film capacitor, 7.2 x 2.5mm	
D1	1N5817	Schottky diode, DO-41	
Q1	J201	JFET transistor, N-channel	Sub: MMBFJ201
Q2	2N6429	BJT transistor, NPN TO-92	Sub: MPSA18
Q3	2N6429	BJT transistor, NPN TO-92	Sub: MPSA18
Q4	2N6429	BJT transistor, NPN TO-92	Sub: MPSA18
Q5	2N6429	BJT transistor, NPN TO-92	Sub: MPSA18
Q6	2N6429	BJT transistor, NPN TO-92	Sub: MPSA18
Q7	2N6429	BJT transistor, NPN TO-92	Sub: MPSA18
Q8	BC546A	BJT transistor, NPN TO-92	
Q9	BC546A	BJT transistor, NPN TO-92	
IC1	TL072	Dual op-amp, DIP8	
MASTER	A10K	16mm right-angle PCB mount pot	
TILT	B10K	16mm right-angle PCB mount pot	
PRE	A10K	16mm right-angle PCB mount pot	
HIPASS	ON/ON	Toggle switch, SPDT	2-position (ON/ON)
Hz	ON/ON	Toggle switch, DPDT	2-position (ON/ON)

Pastel Preamp

Schematic Diagram



Pastel Preamp

Drill Template
125B Enclosure

