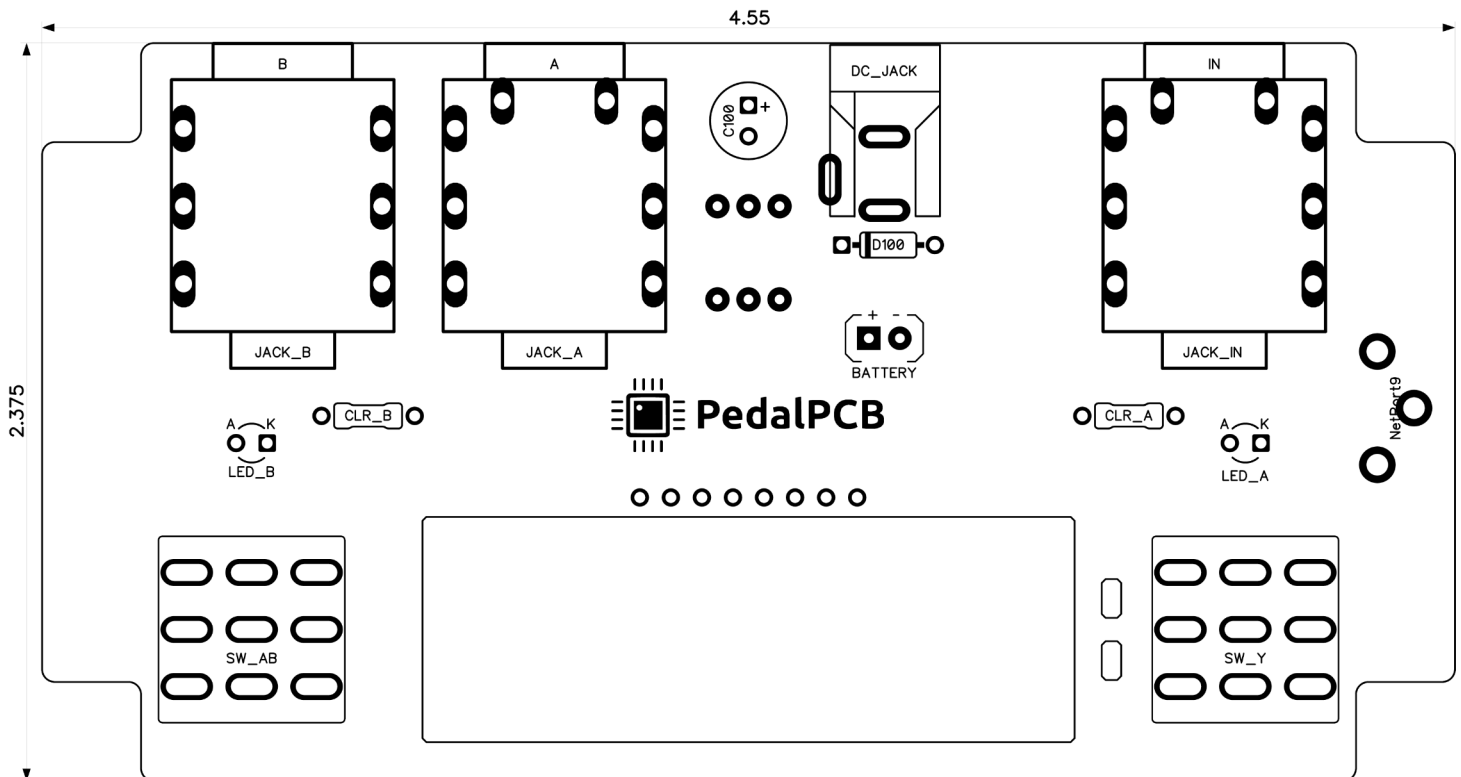




Passive AB/Y

Revised 8/13/24



FOOTSWITCHES

- A/B Footswitch
- Y Footswitch

INTERNAL DIPSWITCHES

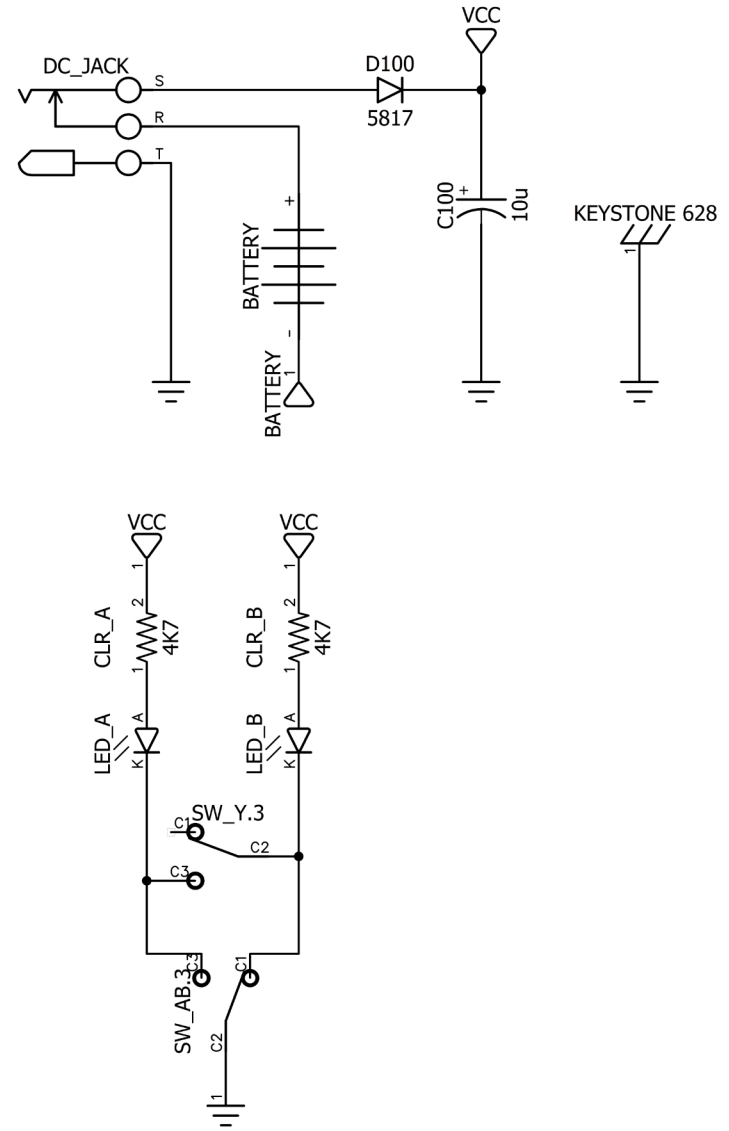
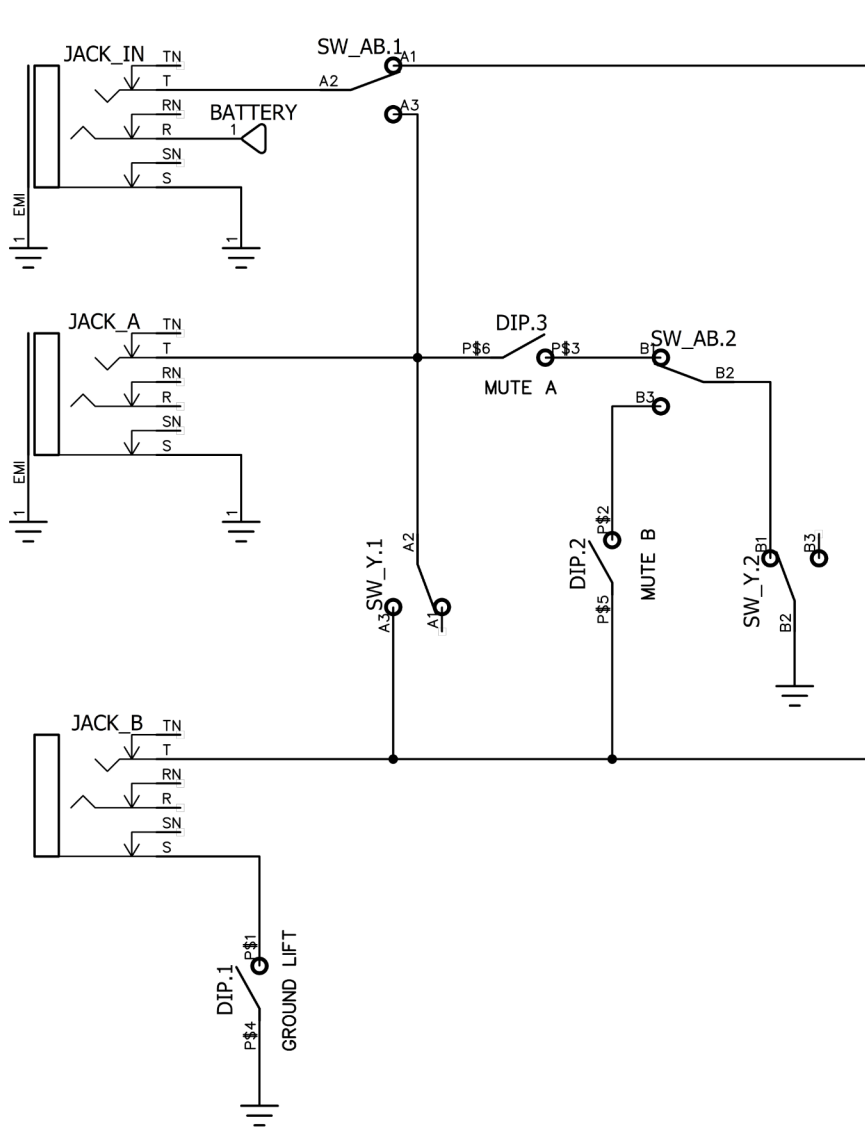
- Mute on Bypass (Channel A)
- Mute on Bypass (Channel B)
- Ground Lift (Channel B)

All trademarks and registered trademarks are the property of their respective owners. The company, product, and service names used in this web site are for identification purposes only. Use of these names, logos, and brands does not imply endorsement.

LOCATION	VALUE	TYPE	NOTES
CLR_A	4K7	Resistor, 1/4W	* LED current limiting resistor
CLR_B	4K7	Resistor, 1/4W	* LED current limiting resistor
C100	10u	Electrolytic capacitor, 5mm	
D100	1N5817	Schottky diode, DO-41	
LED_A		Channel A LED Indicator	
LED_B		Channel A LED Indicator	
JACK_A	NMJ6HCD2	Neutrik ¼" Insulated Stereo Jack	Alternative: Tayda A-1122
JACK_B	NMJ6HCD2	Neutrik ¼" Insulated Stereo Jack	Alternative: Tayda A-1122
JACK_IN	NMJ6HCD2	Neutrik ¼" Insulated Stereo Jack	Alternative: Tayda A-1122
DC_JACK		2.1mm PCB mounted DC jack	Link
SW_AB	3PDT	3PDT Latching Footswitch	Link
SW_Y	3PDT	3PDT Latching Footswitch	Link
DIP	DIP3	Dip switch (3-pole)	Link
BATTERY		9V battery snap	Link
HEADER		8-pin Female Pinheader (2.54mm)	Link

Passive AB/Y

Schematic Diagram



Passive AB/Y

Drill Template
125B Enclosure

