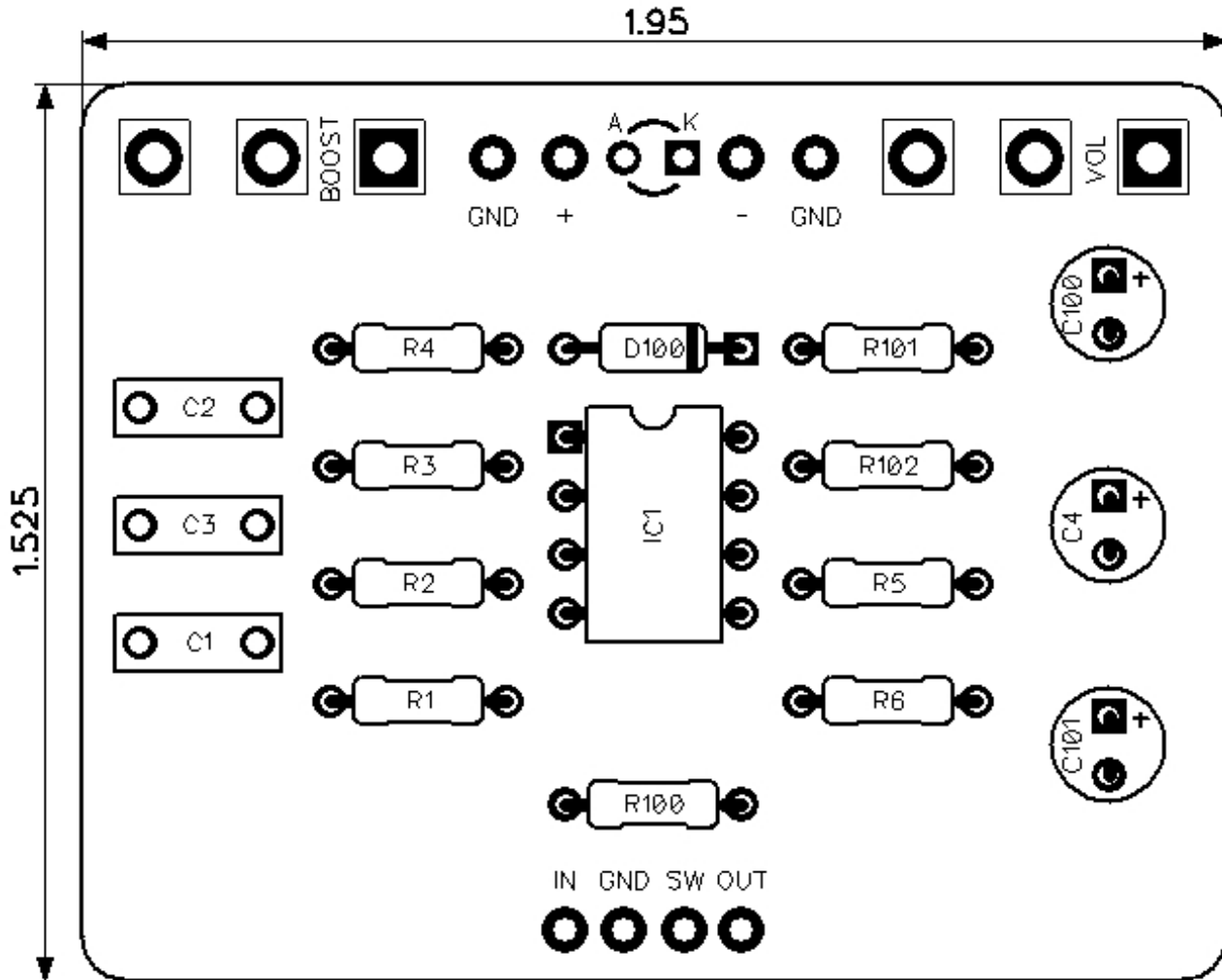


PedalPCB

Pariah Mid-Boost

Revised 1/3/22



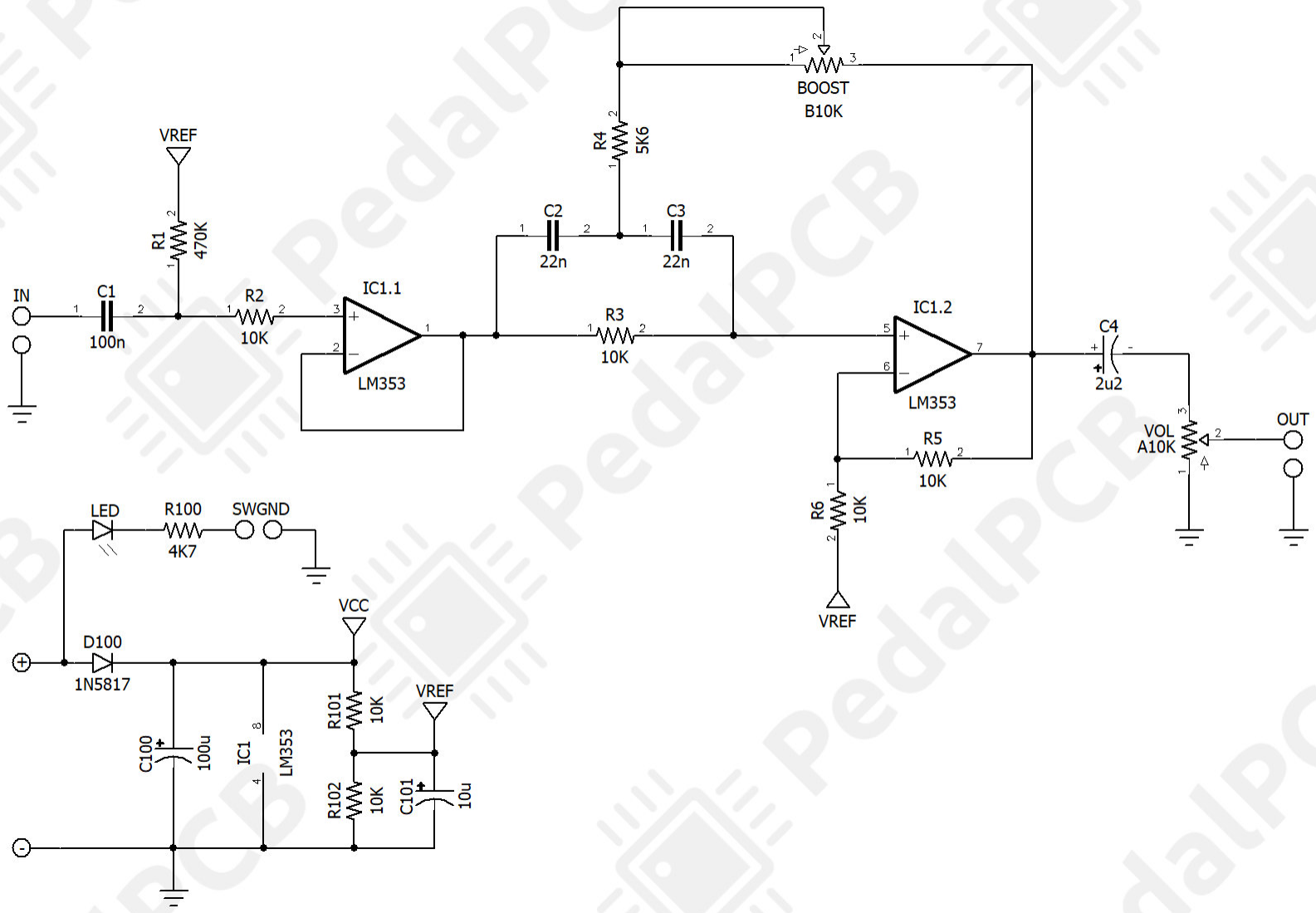
CONTROLS AND FEATURES

- Volume
- Boost

All trademarks and registered trademarks are the property of their respective owners. The company, product, and service names used in this web site are for identification purposes only. Use of these names, logos, and brands does not imply endorsement.

Pariah Mid-Boost

Schematic Diagram



Pariah Mid-Boost

Drill Template
125B Enclosure

