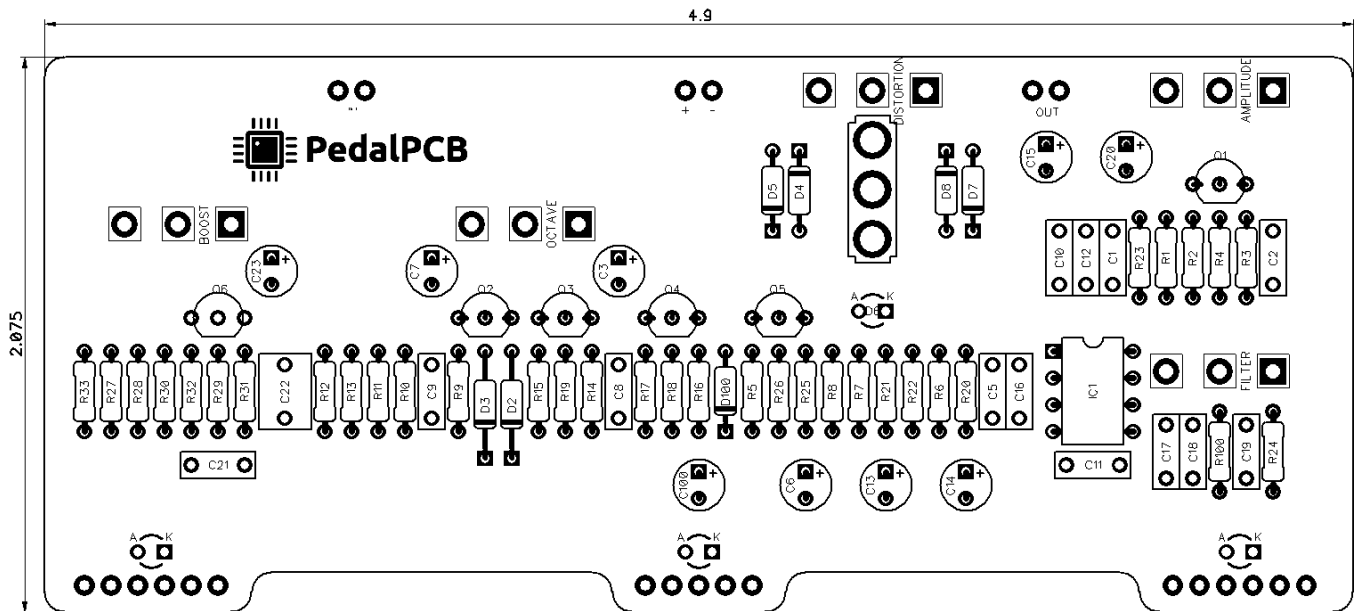




PedalPCB

Parentheses Fuzz

Revision 09.07.19



Controls

- Distortion
- Filter
- Amplitude
- Clipping (Toggle Switch)
- Octave Blend
- Boost
- Active/Bypass (Footswitch)
- Octave (Footswitch)
- Boost (Footswitch)

All trademarks and registered trademarks are the property of their respective owners. The company, product, and service names used in this web site are for identification purposes only. Use of these names, logos, and brands does not imply endorsement.

RESISTORS (1/4W)

R1 1M
 R2 1K
 R3 1M
 R4 10K
 R5 4K7
 R6 1M
 R7 10K
 R8 10K
 R9 10K
 R10 100K
 R11 100K
 R12 47K
 R13 47K
 R14 10K
 R15 10K
 R16 22K
 R17 2K2
 R18 47K
 R19 470K
 R20 1K
 R21 560R
 R22 47R
 R23 1K
 R24 1K5
 R25 1M
 R26 10K
 R27 1M
 R28 1K
 R29 470K
 R30 470K
 R31 470R
 R32 10K
 R33 4K7
 R100 4K7

CAPACITORS

C1 100p
 C2 100n
 C3 1u
 C5 22n
 C6 10u
 C7 1u
 C8 100n
 C9 100n
 C10 100n
 C11 100p
 C12 30p
 C13 4u7
 C14 2u2
 C15 4u7
 C16 1n
 C17 100n
 C18 3n3
 C19 22n
 C20 1u
 C21 100p
 C22 1u
 C23 10u
 C100 100u

TOGGLE SWITCHES

SW1 SPDT ON/OFF/ON

INTEGRATED CIRCUITS

IC1 LM308

TRANSISTORS

Q1 PF5102
 Q2 2N5089
 Q3 2N5087
 Q4 2N5089
 Q5 PF5102
 Q6 BS170

DIODES

D2 GE
 D3 GE
 D4 1N4148
 D5 1N4148
 D7 1N4148
 D8 1N4148
 D100 1N5817

LEDS

D6 Red 3mm LED
 LED Red 3mm LED
 LED_BOOST Red 3mm LED
 LED_GAIN Red 3mm LED

POTENTIOMETERS

DISTORTION A100K
 FILTER A100K
 AMPLITUDE A100K
 OCTAVE B50K
 BOOST A100K

LM308 Substitutions

IC1 can be substituted with other similar single-channel opamps.

The following have been tested:

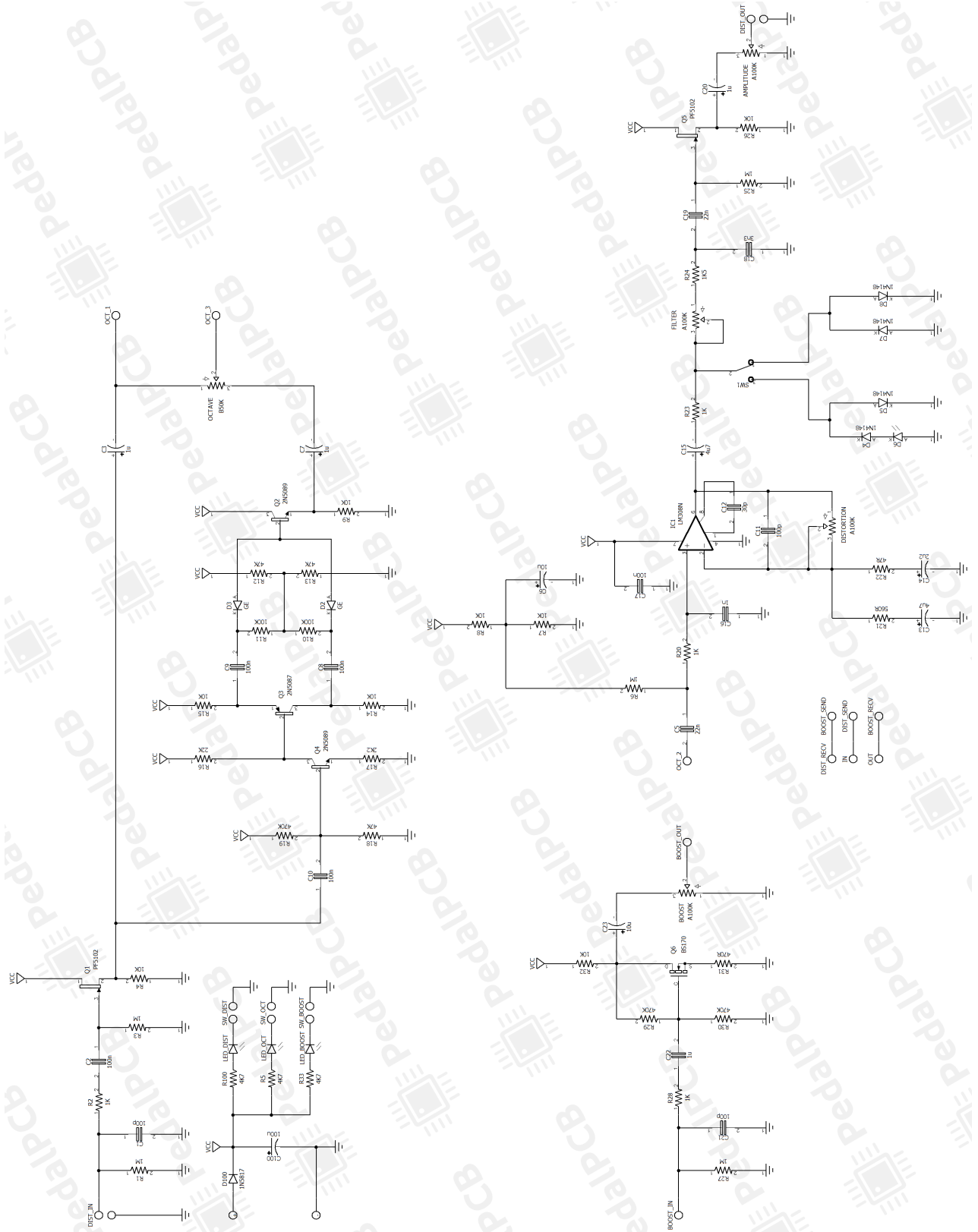
LM308 - Confirmed working

OP07 - Confirmed working

LM741 - Confirmed working (omit C12)

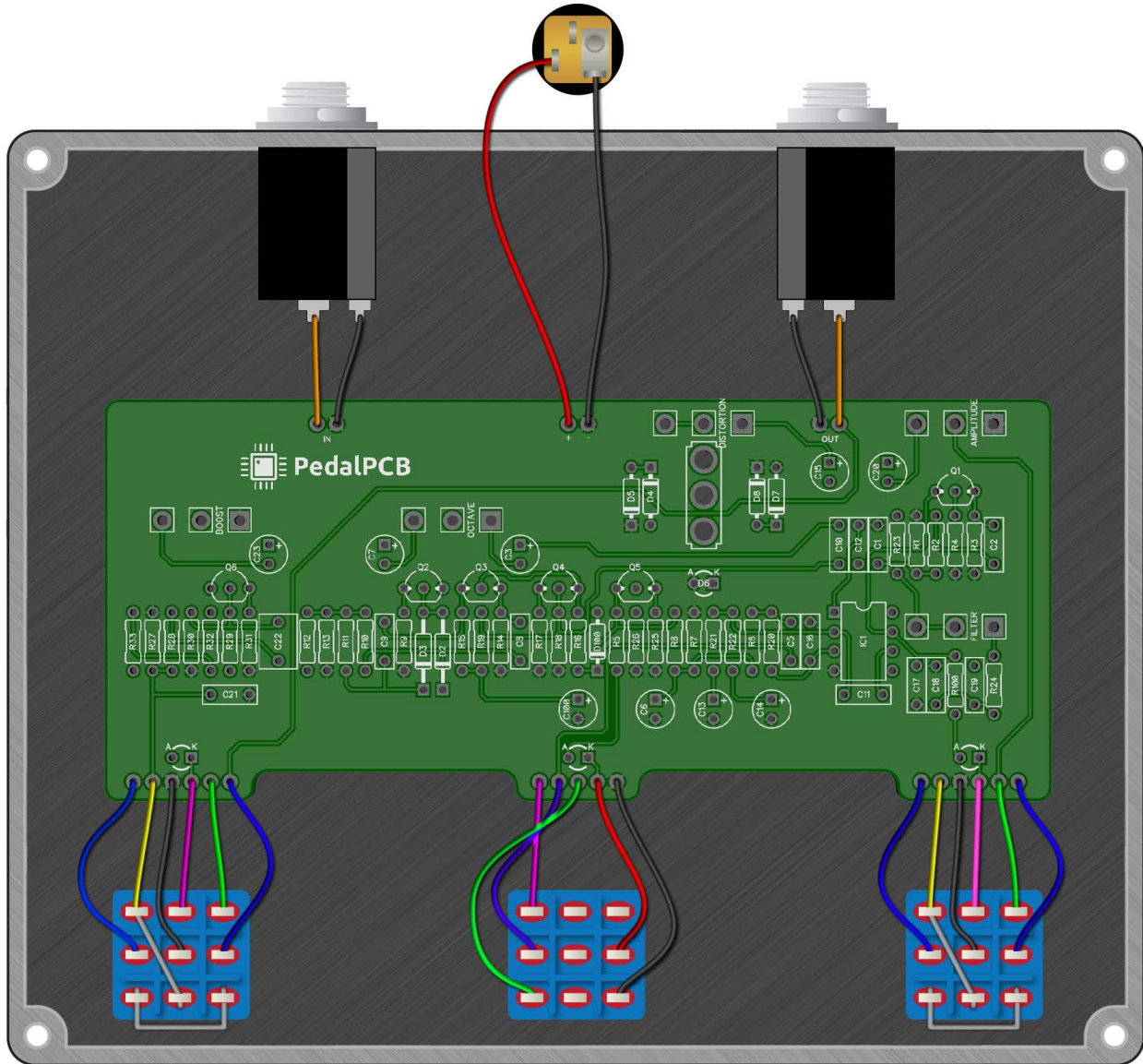
NE5534 - Not a suitable replacement, causes oscillation

Parentheses Fuzz



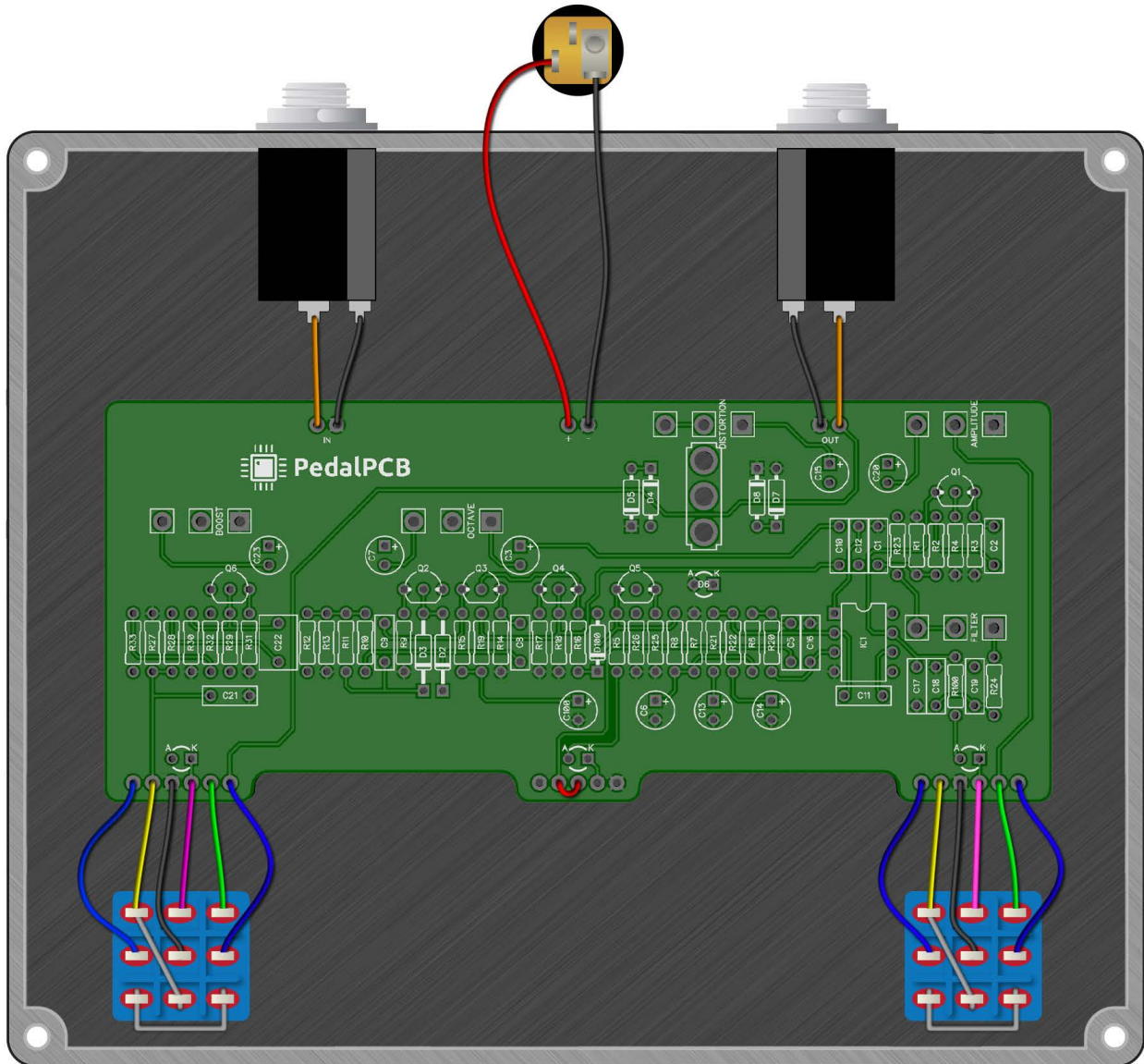
Parenteses Fuzz

Wiring Diagram
(With Octave Footswitch)



Parenteses Fuzz

Alternate Wiring Diagram
(No Octave Footswitch)



Parentheses Fuzz

Drill Template
4S6500 / 1590XX Enclosure

