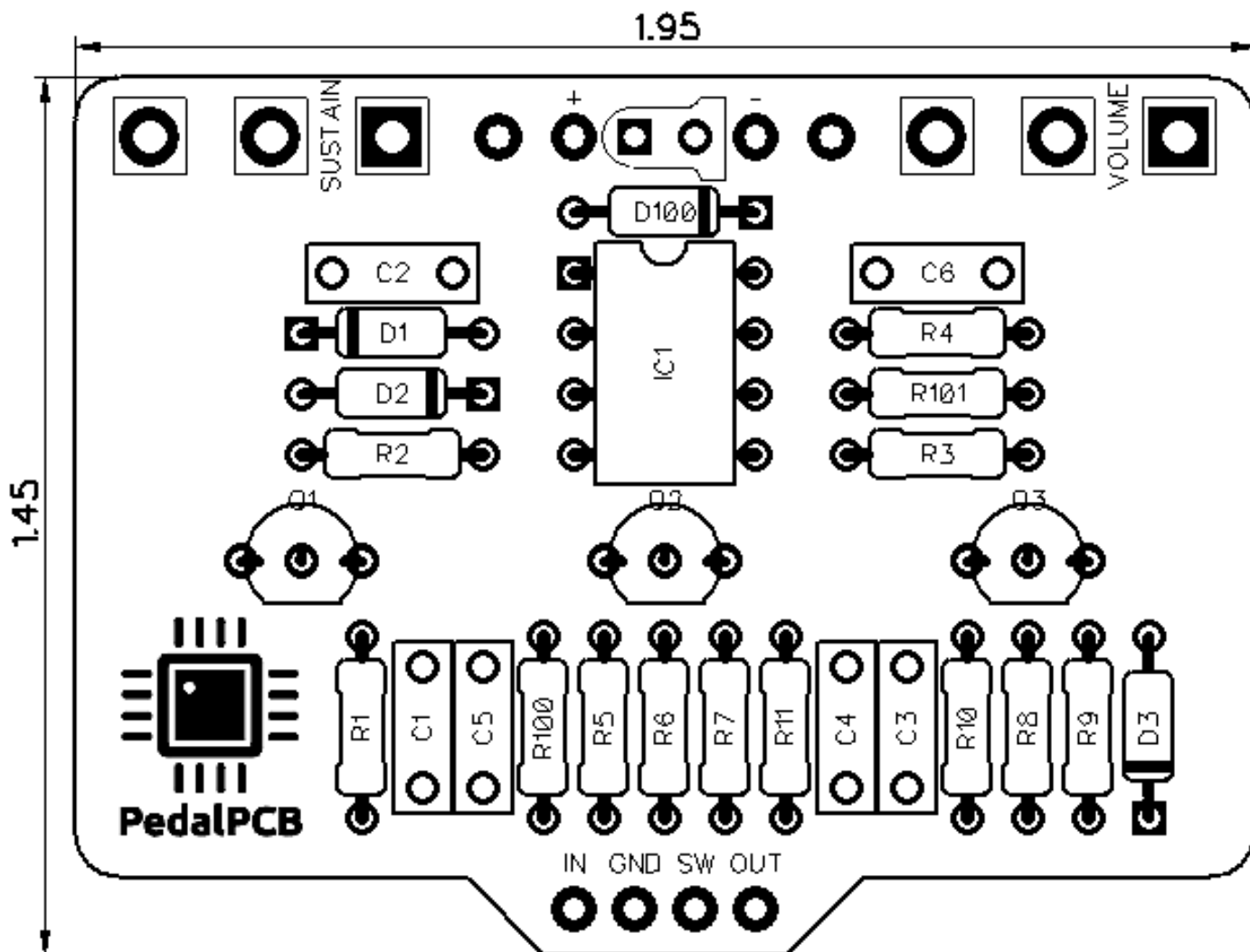




PedalPCB

Panspermia Fuzz

Revision 06.29.18



Controls

- **Volume** - Sets the overall output volume
- **Sustain** - Controls the level of fuzz

All trademarks and registered trademarks are the property of their respective owners. The company, product, and service names used in this web site are for identification purposes only. Use of these names, logos, and brands does not imply endorsement.

Panspermia Fuzz

Parts List

RESISTORS

R1 10K
R2 10K
R3 39K
R4 1K
R5 100R
R6 560K
R7 10K
R8 6K8
R9 10K
R10 470R
R11 1M
R100 4K7
R101 100R

CAPACITORS

C1 100n
C2 100n
C3 33n
C4 33n
C5 100n
C6 100n

TRANSISTORS

Q1 2N5088
Q2 2N5088
Q3 2N5088

INTEGRATED CIRCUITS

IC1 LM386

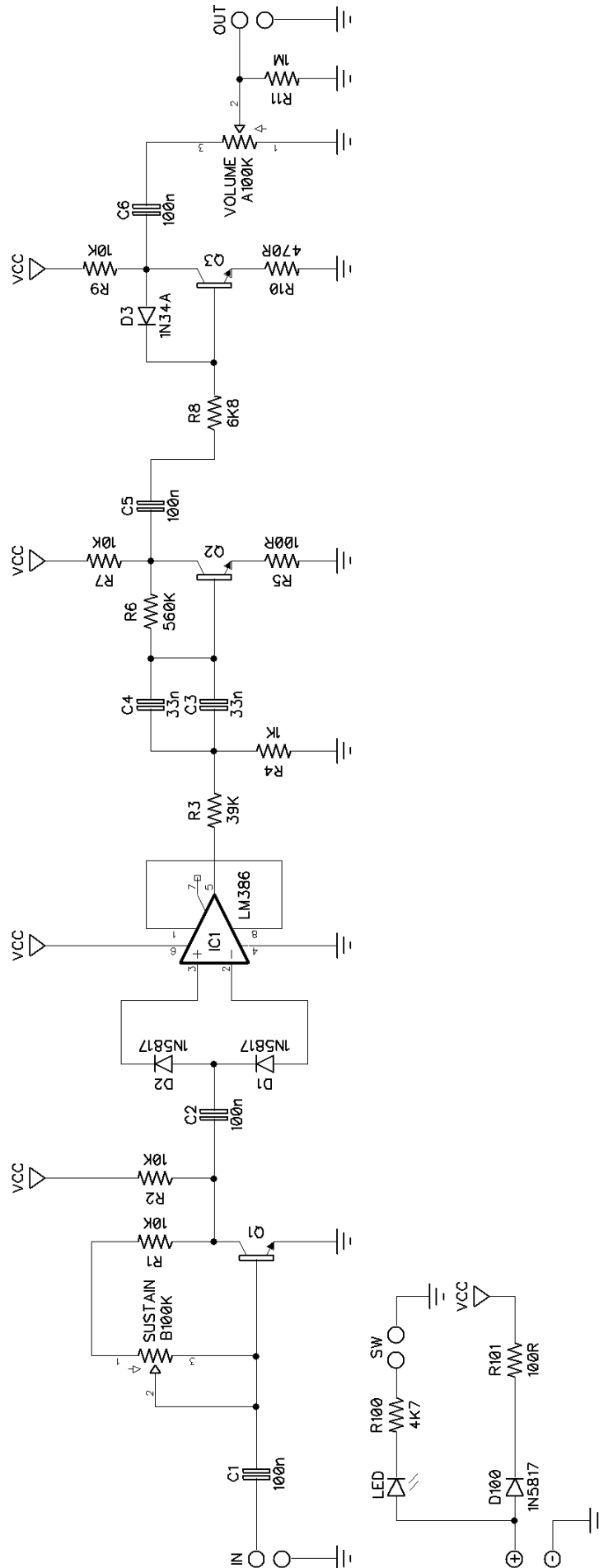
DIODES

D1 1N5817
D2 1N5817
D3 1N34A
D100 1N5817

POTENTIOMETERS

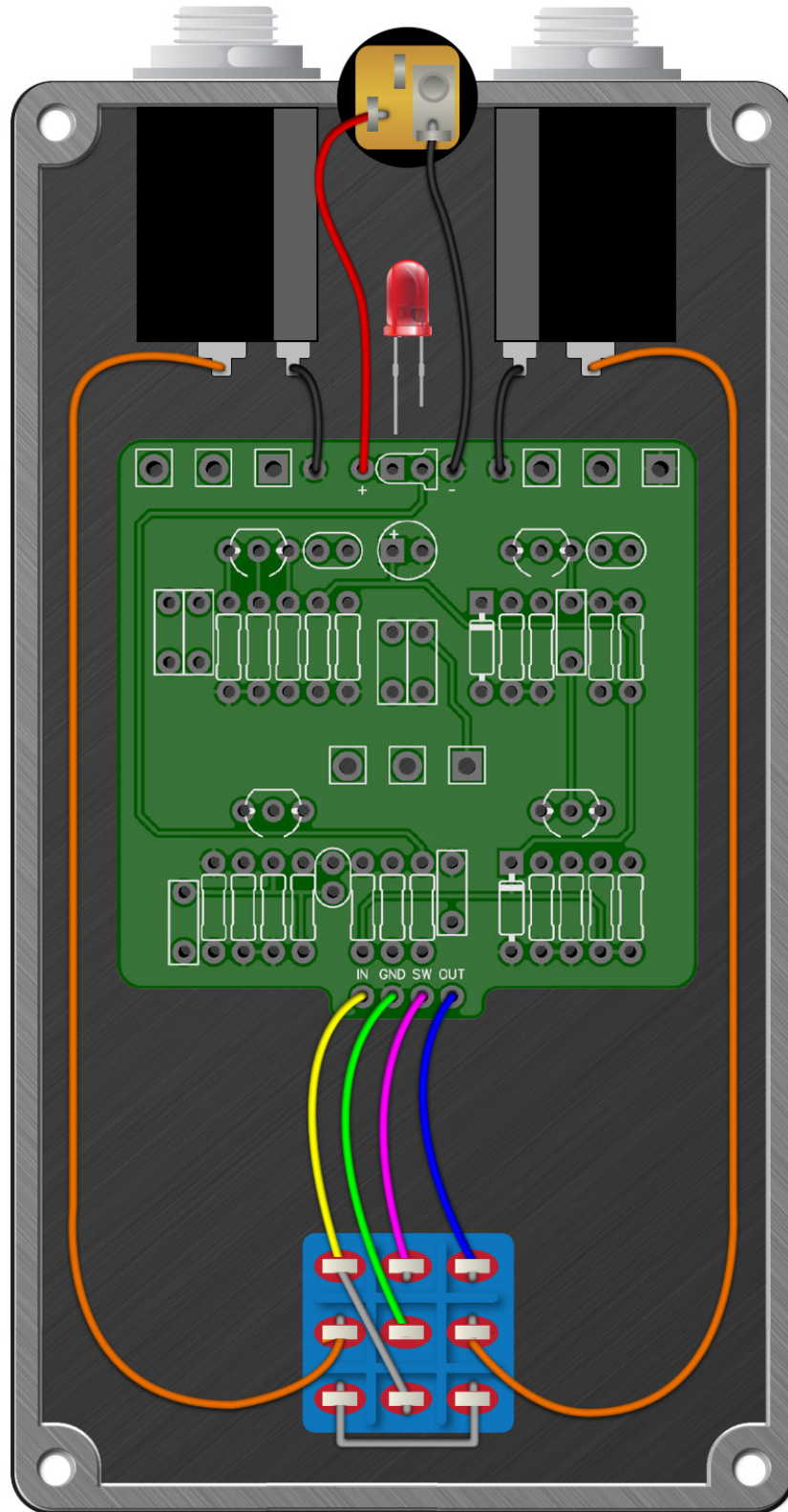
VOLUME A100K
SUSTAIN B100K

Panspermia Fuzz



Panspermia Fuzz

Wiring Diagram



Panspermia Fuzz

Drill Template
125B enclosure with top mounted jacks

