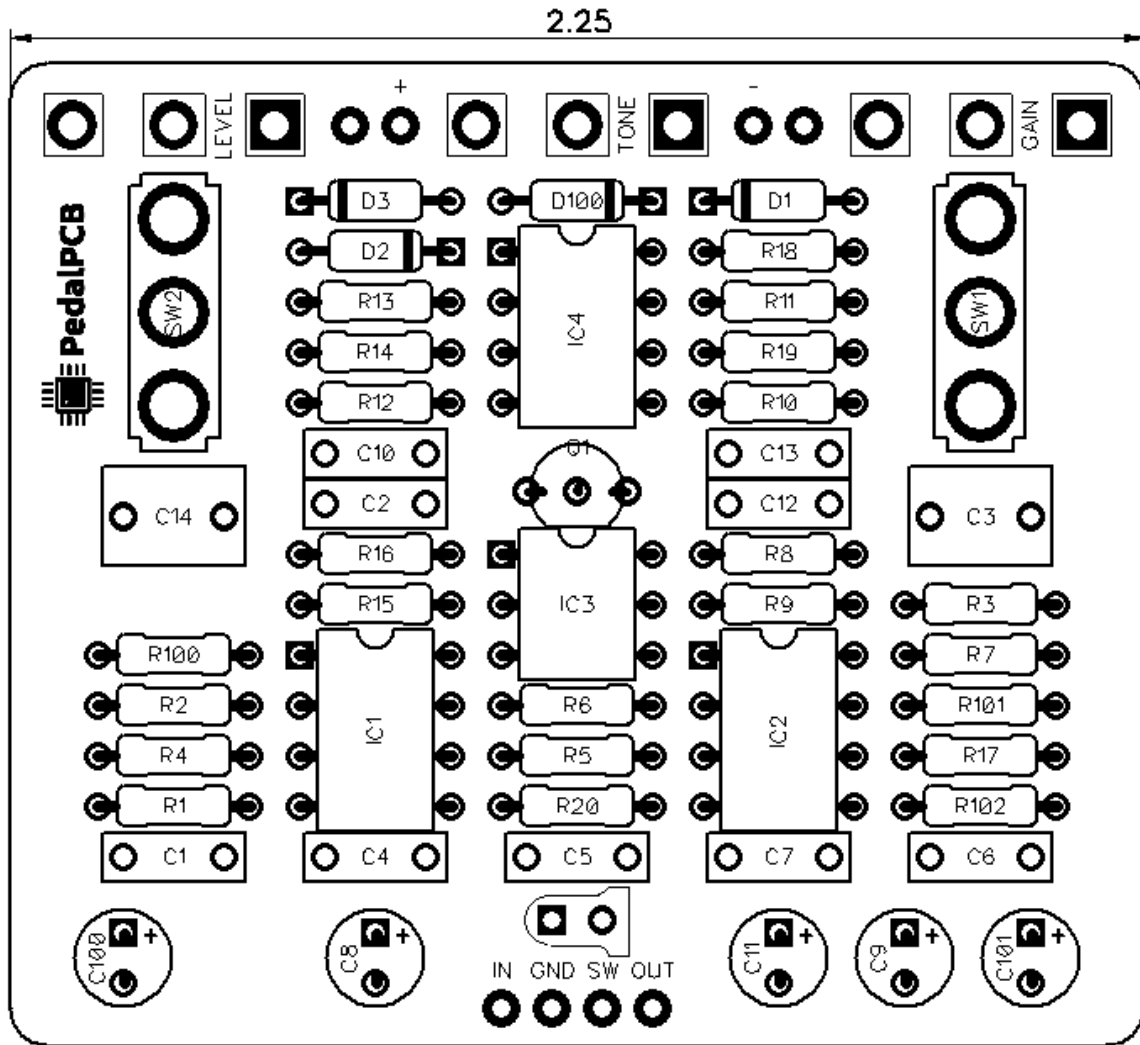


PedalPCB

Pandora's Box

Revision 08.07.18



Controls

- **Level** - Sets the overall output volume
- **Tone** - Controls the warmth / brightness
- **Gain** - Controls the amount of distortion
- **SW1** - Toggles the distortion characteristic
- **SW2** - Toggles the distortion characteristic

Switches

	SW1	SW2
Crunch	Up	Up
Overdrive	Down	Up
Distortion	Up	Down
Forbidden	Down	Down

All trademarks and registered trademarks are the property of their respective owners. The company, product, and service names used in this web site are for identification purposes only. Use of these names, logos, and brands does not imply endorsement.

Pandora's Box

Parts List

RESISTORS

R1 2M2
R2 100K
R3 2M2
R4 2M2
R5 43K
R6 560R
R7 47R
R8 560R
R9 1K1
R10 100K
R11 51K
R12 4K7
R13 820K
R14 47K
R15 4K7
R16 47R
R17 1K1
R18 1K5
R19 1M
R20 1K1
R100 4K7
R101 10K
R102 10K

CAPACITORS

C1 100n
C2 33p
C3 1u
C4 22n
C5 1n
C6 33p
C7 100p
C8 4u7
C9 2u2
C10 100n
C11 4u7
C12 3n3
C13 100n
C14 1u
C100 100u
C101 100u

SWITCHES

SW1 SPDT Toggle (On/On)
SW2 SPDT Toggle (On/On)

INTEGRATED CIRCUITS

IC1 LM308N
IC2 LM308N
IC3 H11F1
IC4 JRC4558

TRANSISTORS

Q1 2N3906

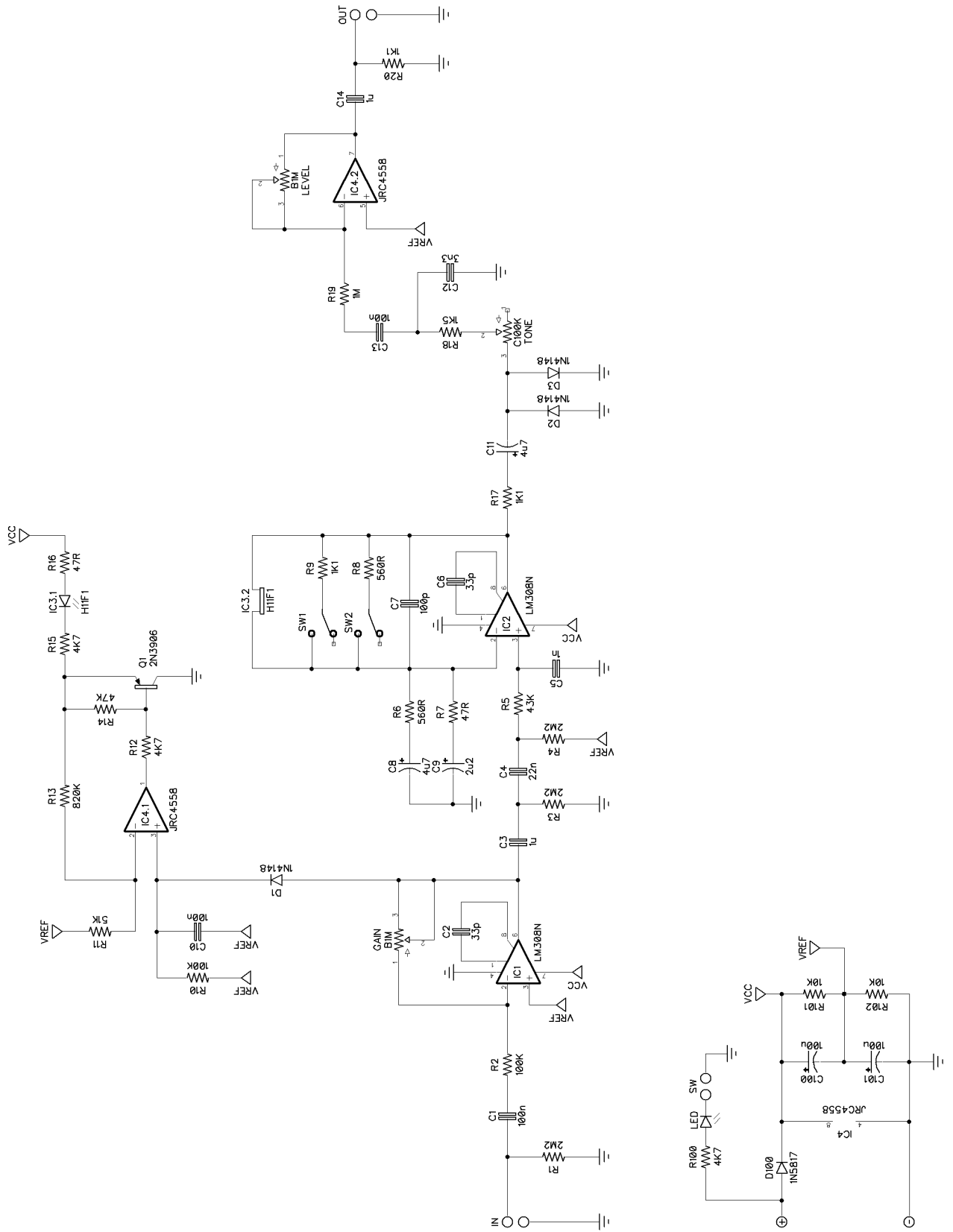
DIODES

D1 1N4148
D2 1N4148
D3 1N4148
D100 1N5817

POTENTIOMETERS

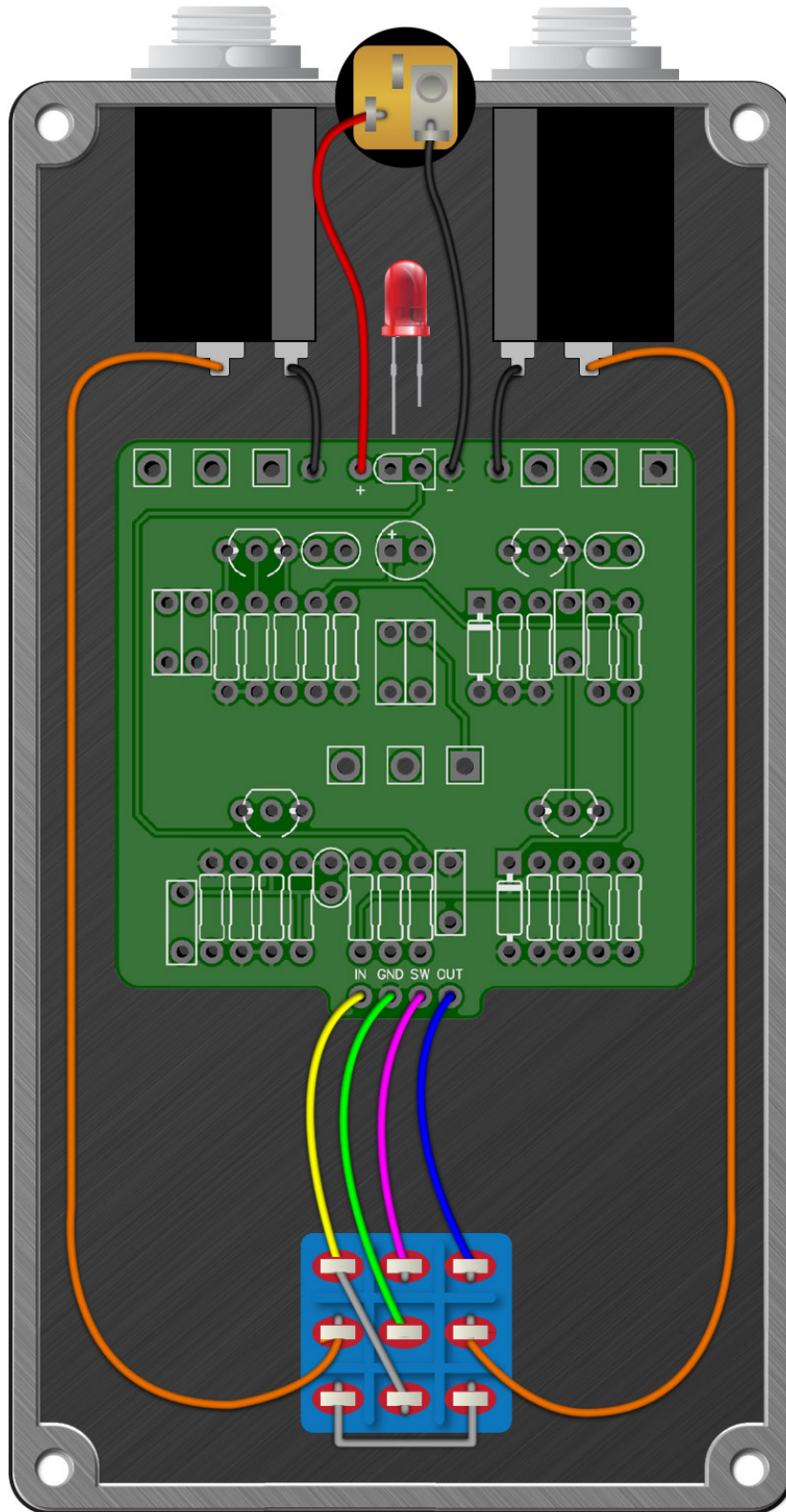
LEVEL B1M
GAIN B1M
TONE C100K

Pandora's Box



Pandora's Box

Wiring Diagram



Pandora's Box

Drill Template
125B enclosure with top mounted jacks

