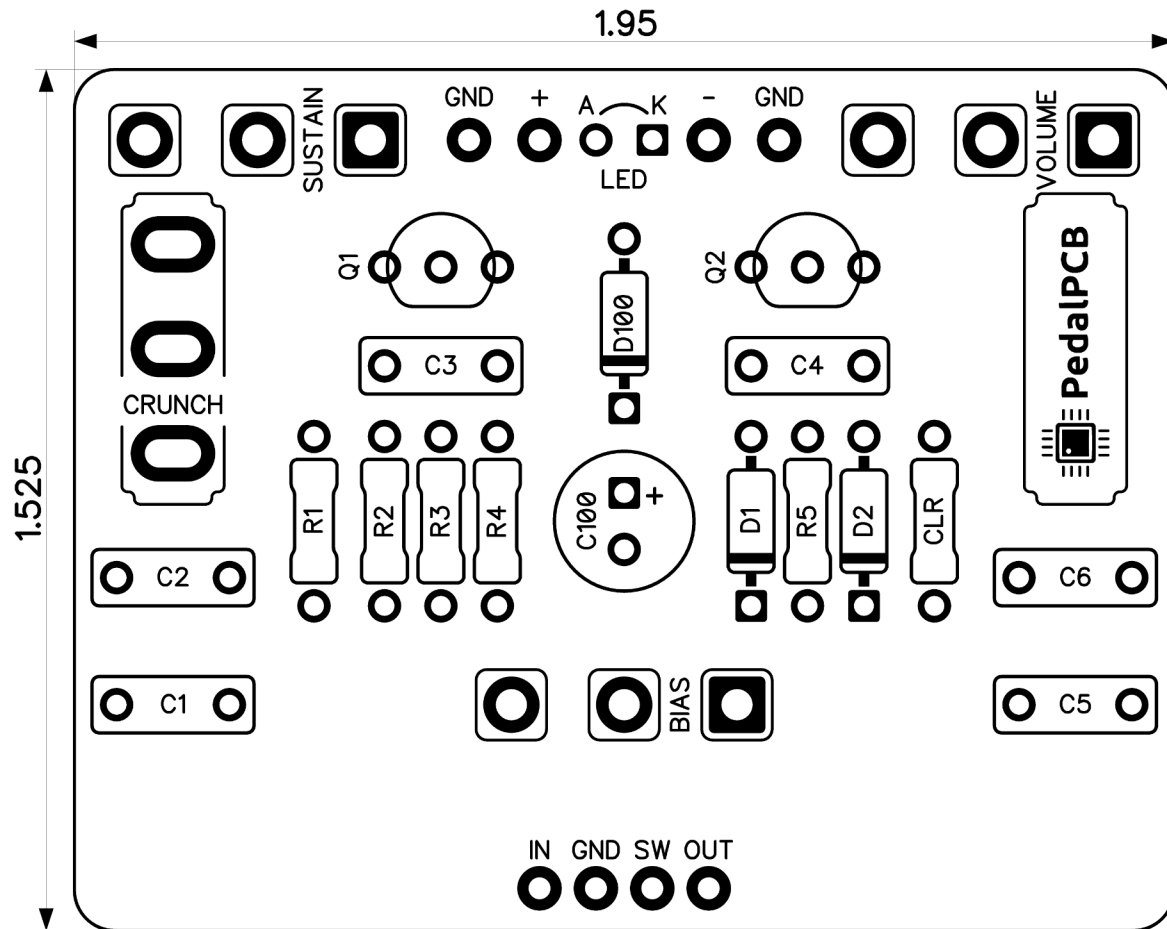




PedalPCB

Overcast Fuzz

Revised 3/27/26



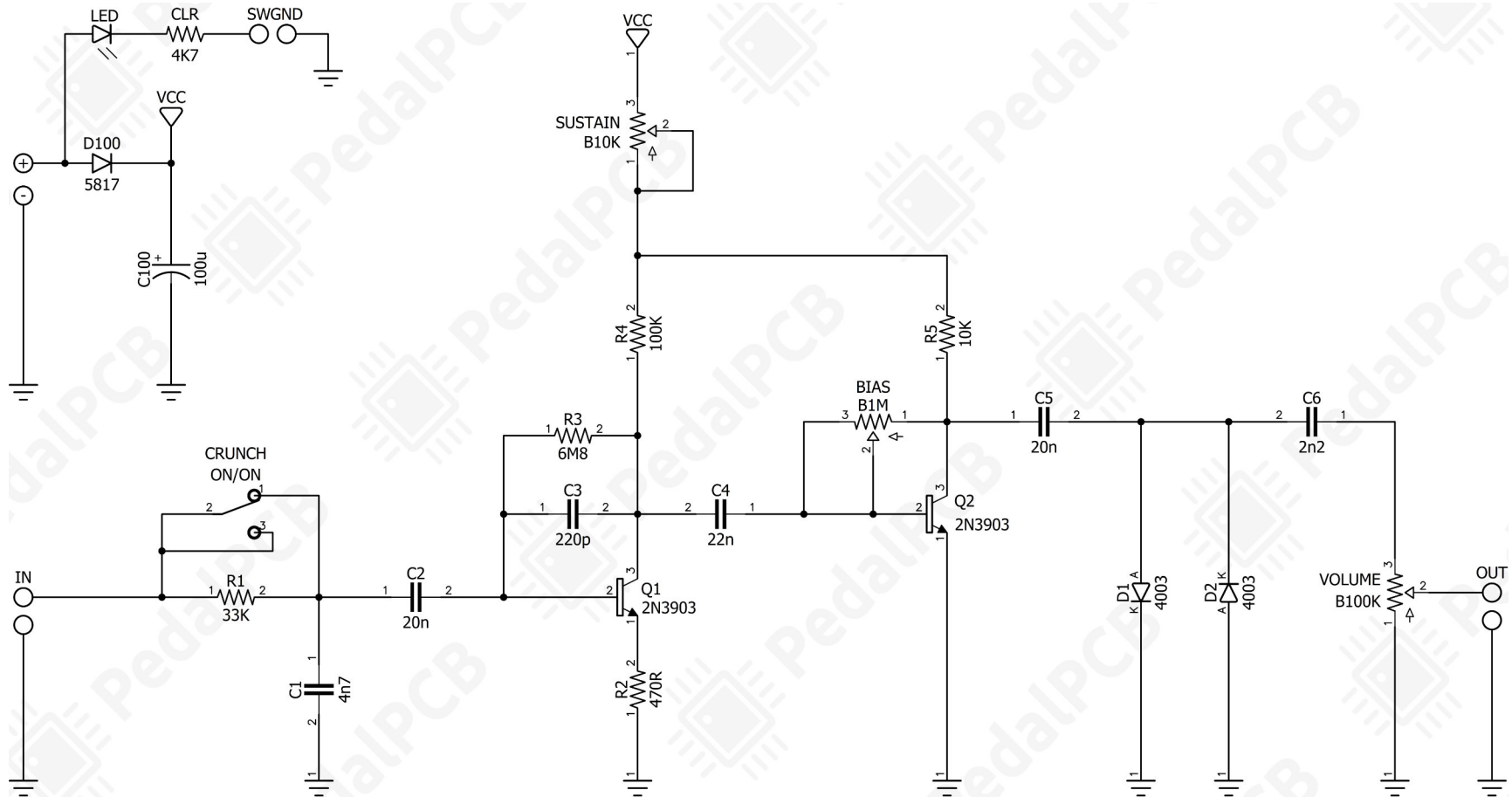
CONTROLS AND FEATURES

- Volume
- Bias
- Sustain
- Crunch (Toggle switch)

All trademarks and registered trademarks are the property of their respective owners. The company, product, and service names used in this web site are for identification purposes only. Use of these names, logos, and brands does not imply endorsement.

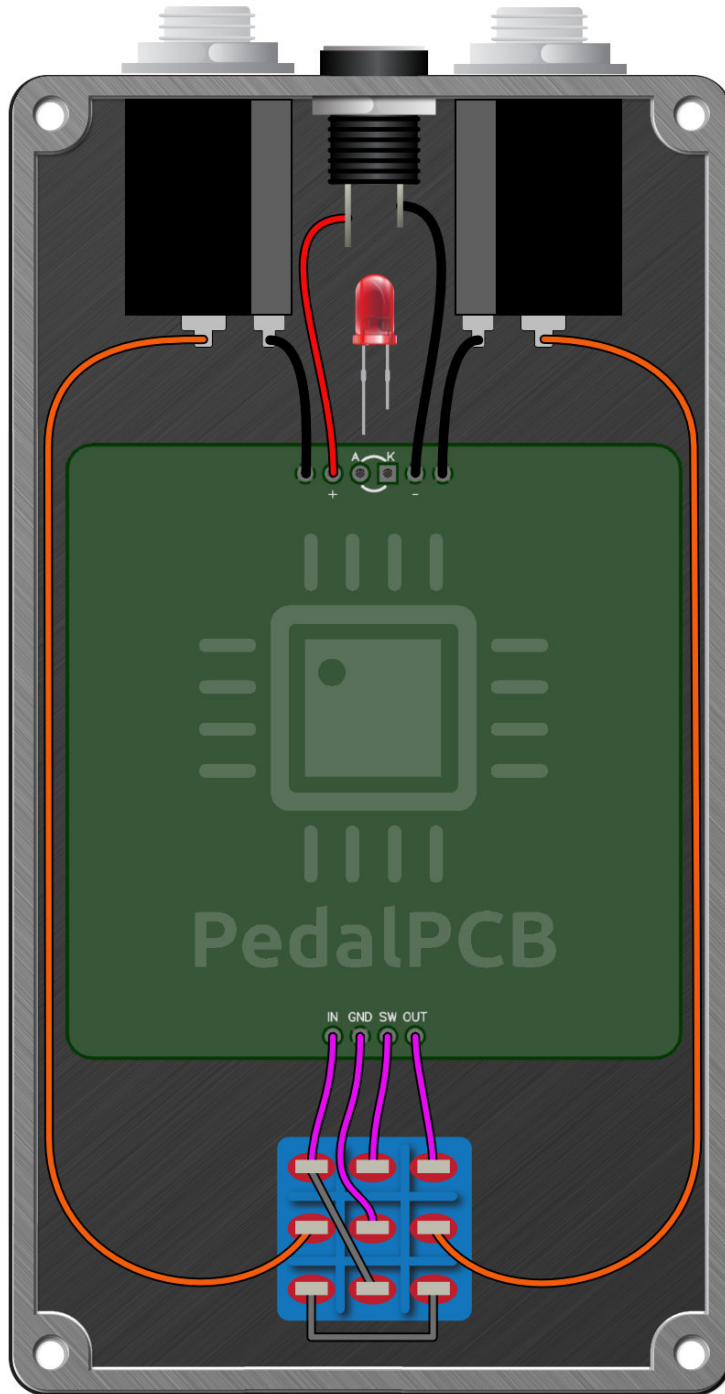
Overcast Fuzz

Schematic Diagram



Q1
 hFE=127 at Ic=4.99mA
 Vbe=0.673V at Ib=1.00mA
 Vbe=0.759V at Ib=5.00mA
 VceSat=0.066V at Ic=5.0mA and Ib=1.00mA
 IcLeak=0.000mA

Q2
 hFE=125 at Ic=5.00mA
 Vbe=0.680V at Ib=1.00mA
 Vbe=0.766V at Ib=5.00mA
 VceSat=0.066V at Ic=5.0mA and Ib=1.00mA
 IcLeak=0.000mA



Overcast Fuzz

Drill Template
125B Enclosure

