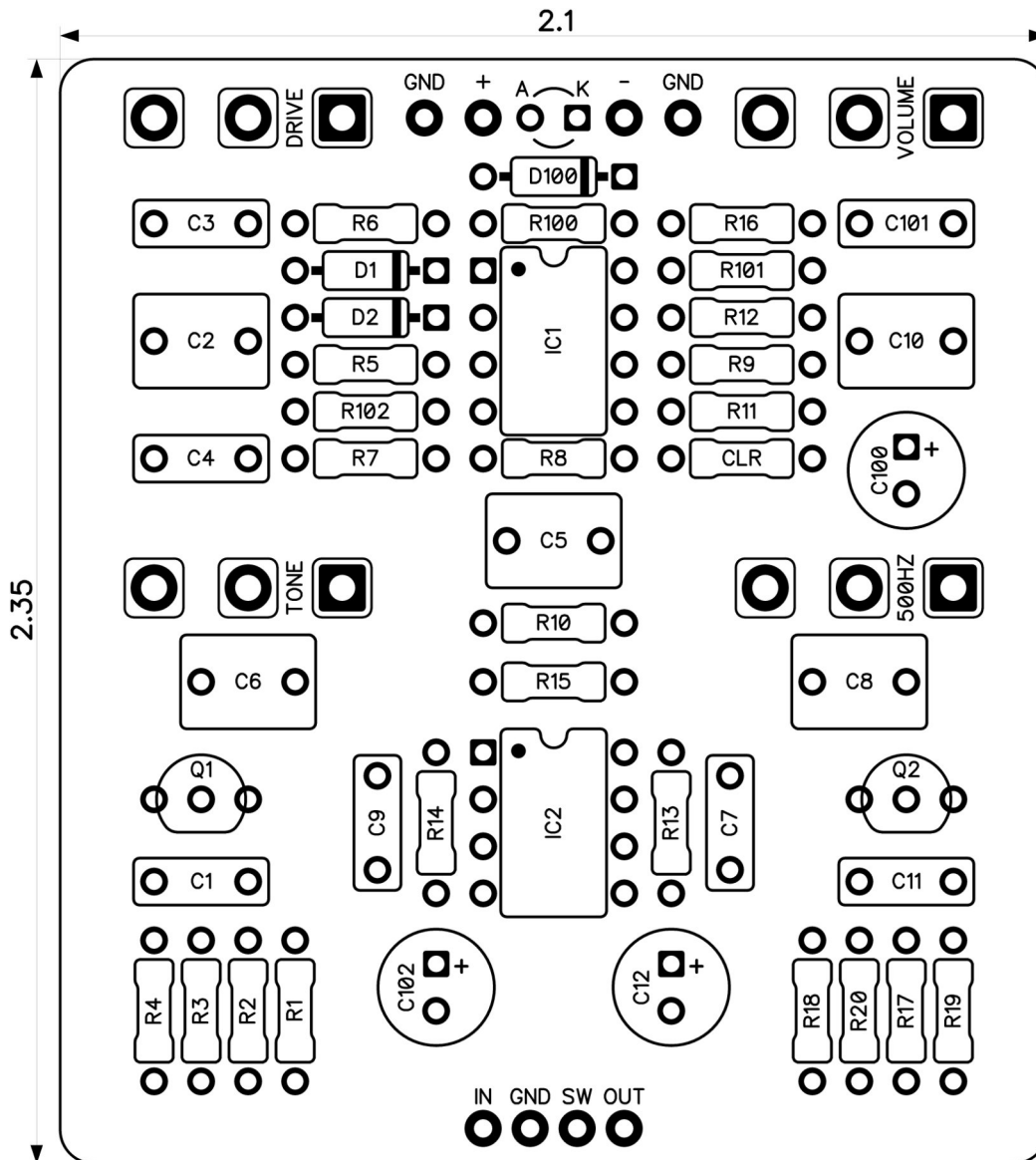


# PedalPCB

## Overblown Overdrive

Revised 1/1/24



### CONTROLS AND FEATURES

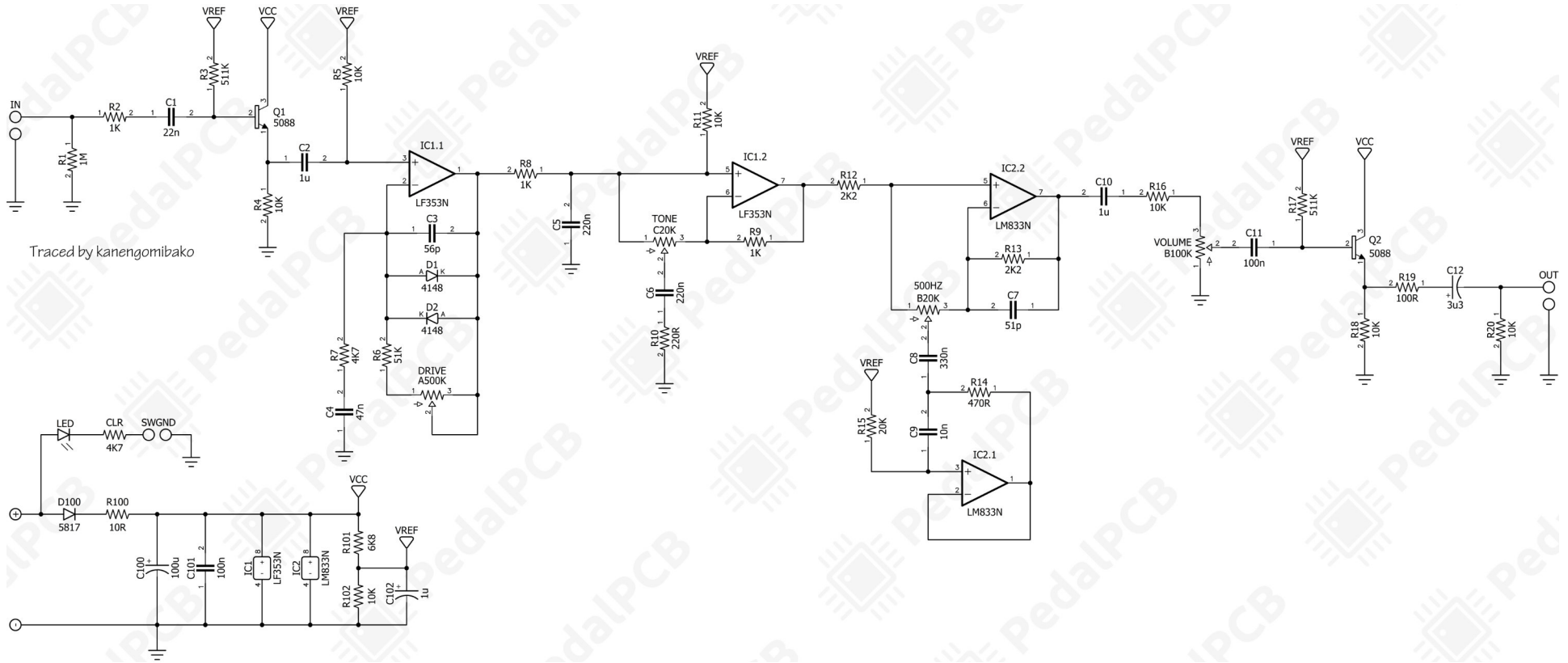
- Volume
- Drive
- 500Hz
- Tone

All trademarks and registered trademarks are the property of their respective owners. The company, product, and service names used in this web site are for identification purposes only. Use of these names, logos, and brands does not imply endorsement.

LOCATION	VALUE	TYPE	NOTES
R1	1M	Resistor, 1/4W	
R2	1K	Resistor, 1/4W	
R3	511K	Resistor, 1/4W	
R4	10K	Resistor, 1/4W	
R5	10K	Resistor, 1/4W	
R6	51K	Resistor, 1/4W	
R7	4K7	Resistor, 1/4W	
R8	1K	Resistor, 1/4W	
R9	1K	Resistor, 1/4W	
R10	220R	Resistor, 1/4W	
R11	10K	Resistor, 1/4W	
R12	2K2	Resistor, 1/4W	
R13	2K2	Resistor, 1/4W	
R14	470R	Resistor, 1/4W	
R15	20K	Resistor, 1/4W	
R16	10K	Resistor, 1/4W	
R17	511K	Resistor, 1/4W	
R18	10K	Resistor, 1/4W	
R19	100R	Resistor, 1/4W	
R20	10K	Resistor, 1/4W	
R100	10R	Resistor, 1/4W	
R101	6K8	Resistor, 1/4W	
R102	10K	Resistor, 1/4W	
CLR	4K7	Resistor, 1/4W	* LED current limiting resistor
C1	22n	Film capacitor, 7.2 x 2.5mm	
C2	1u	Film capacitor, 7.2 x 5.0mm	
C3	56p	Ceramic capacitor	
C4	47n	Film capacitor, 7.2 x 2.5mm	
C5	220n	Film capacitor, 7.2 x 5.0mm	
C6	220n	Film capacitor, 7.2 x 5.0mm	
C7	51p	Ceramic capacitor	
C8	330n	Film capacitor, 7.2 x 5.0mm	
C9	10n	Film capacitor, 7.2 x 2.5mm	
C10	1u	Film capacitor, 7.2 x 5.0mm	
C11	100n	Film capacitor, 7.2 x 2.5mm	
C12	3u3	Electrolytic capacitor, 5mm	
C100	100u	Electrolytic capacitor, 5mm	
C101	100n	Film capacitor, 7.2 x 2.5mm	
C102	1u	Electrolytic capacitor, 5mm	
D1	1N4148	Signal diode, DO-35	
D2	1N4148	Signal diode, DO-35	
D100	1N5817	Schottky diode, DO-41	
Q1	2N5088	BJT transistor, NPN TO-92	
Q2	2N5088	BJT transistor, NPN TO-92	
IC1	LF353N	Dual op-amp, DIP8	
IC2	LM833N	Dual op-amp, DIP8	
VOLUME	B100K	16mm right-angle PCB mount pot	
DRIVE	A500K	16mm right-angle PCB mount pot	
500HZ	B20K	16mm right-angle PCB mount pot	
TONE	C20K	16mm right-angle PCB mount pot	

# Overblown Overdrive

Schematic Diagram



# Overblown Overdrive

Wiring Diagram



# Overblown Overdrive

Drill Template  
125B Enclosure

