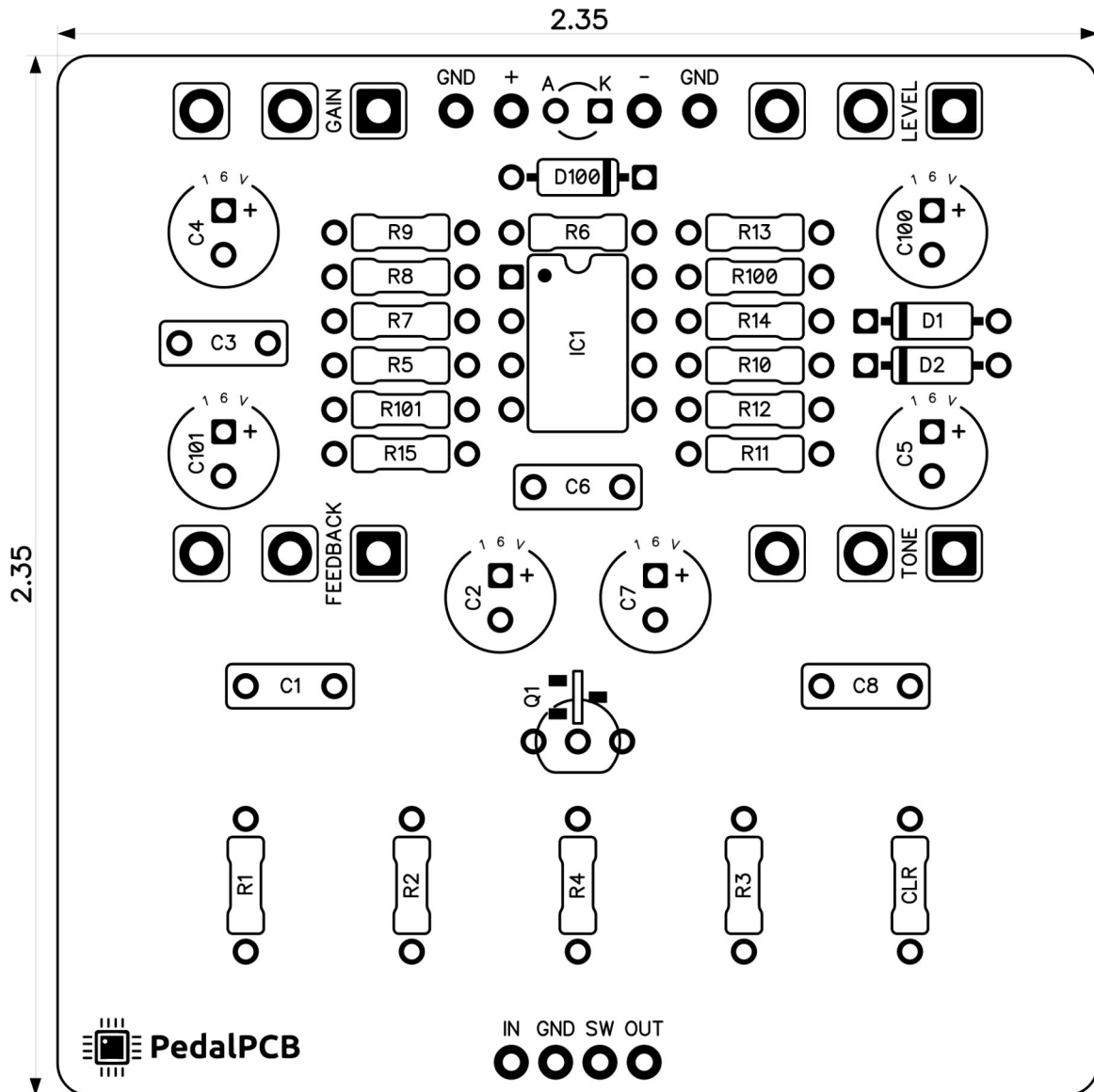


# PedalPCB

## Ottava Octave Fuzz

Revised 12/18/23



### CONTROLS AND FEATURES

- Level
- Gain
- Tone
- Feedback

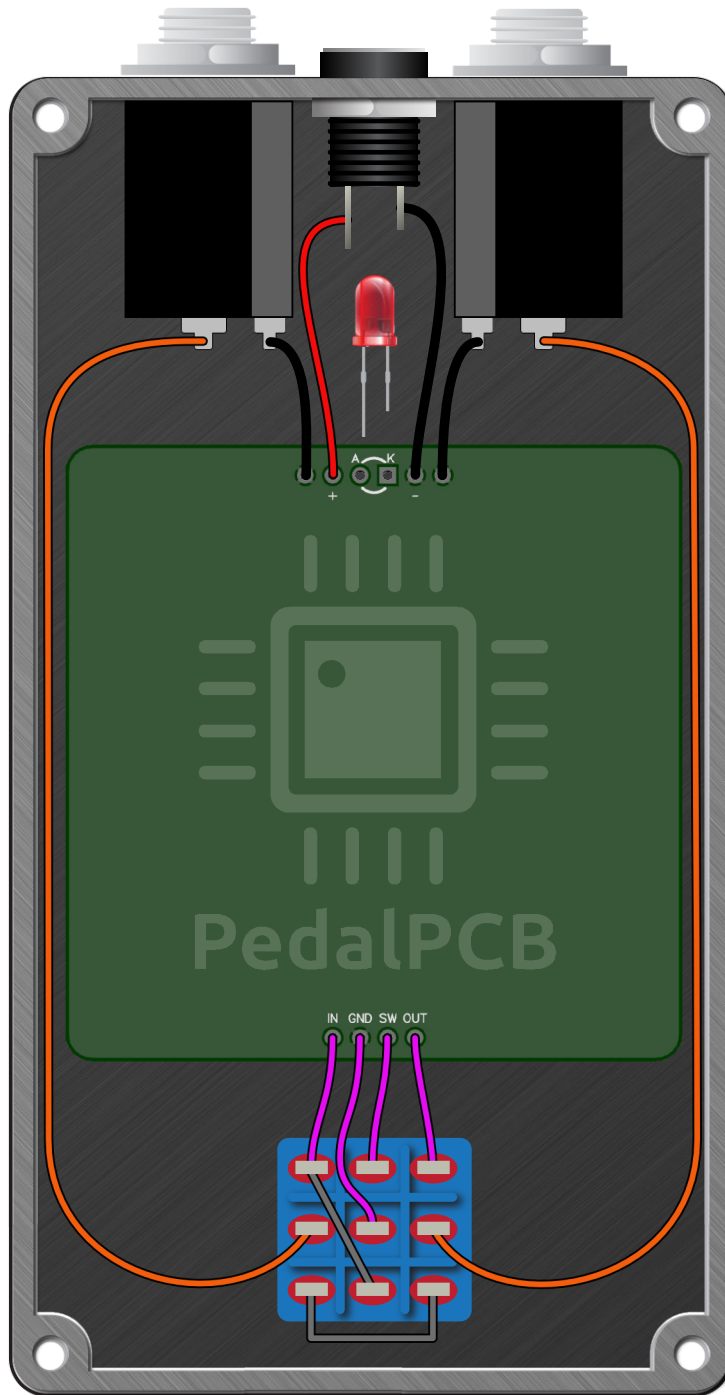
All trademarks and registered trademarks are the property of their respective owners. The company, product, and service names used in this web site are for identification purposes only. Use of these names, logos, and brands does not imply endorsement.

LOCATION	VALUE	TYPE	NOTES
R1	1K	Resistor, 1/4W	
R2	1M	Resistor, 1/4W	
R3	1M	Resistor, 1/4W	
R4	3K3	Resistor, 1/4W	
R5	100K	Resistor, 1/4W	
R6	470K	Resistor, 1/4W	
R7	2K	Resistor, 1/4W	
R8	1K	Resistor, 1/4W	
R9	10K	Resistor, 1/4W	
R10	10K	Resistor, 1/4W	
R11	10K	Resistor, 1/4W	
R12	100K	Resistor, 1/4W	
R13	100K	Resistor, 1/4W	
R14	1K	Resistor, 1/4W	
R15	15K	Resistor, 1/4W	
R100	47K	Resistor, 1/4W	
R101	47K	Resistor, 1/4W	
CLR	4K7	Resistor, 1/4W	* LED current limiting resistor
C1	100n	Film capacitor, 7.2 x 2.5mm	
C2	1u	Electrolytic capacitor, 5mm	
C3	22n	Film capacitor, 7.2 x 2.5mm	
C4	10u	Electrolytic capacitor, 5mm	
C5	10u	Electrolytic capacitor, 5mm	
C6	33n	Film capacitor, 7.2 x 2.5mm	
C7	1u	Electrolytic capacitor, 5mm	
C8	22n	Film capacitor, 7.2 x 2.5mm	
C100	100u	Electrolytic capacitor, 5mm	
C101	47u	Electrolytic capacitor, 5mm	
D1	1N4148	Signal diode, DO-35	
D2	1N4148	Signal diode, DO-35	
D100	1N5817	Schottky diode, DO-41	
Q1	J201	JFET transistor, N-channel	
IC1	4558	Dual op-amp, DIP8	
LEVEL	B50K	16mm right-angle PCB mount pot	
GAIN	B50K	16mm right-angle PCB mount pot	
TONE	B10K	16mm right-angle PCB mount pot	
FEEDBACK	B100K	16mm right-angle PCB mount pot	



# Ottava Octave Fuzz

Wiring Diagram



# Ottava Octave Fuzz

Drill Template  
125B Enclosure

