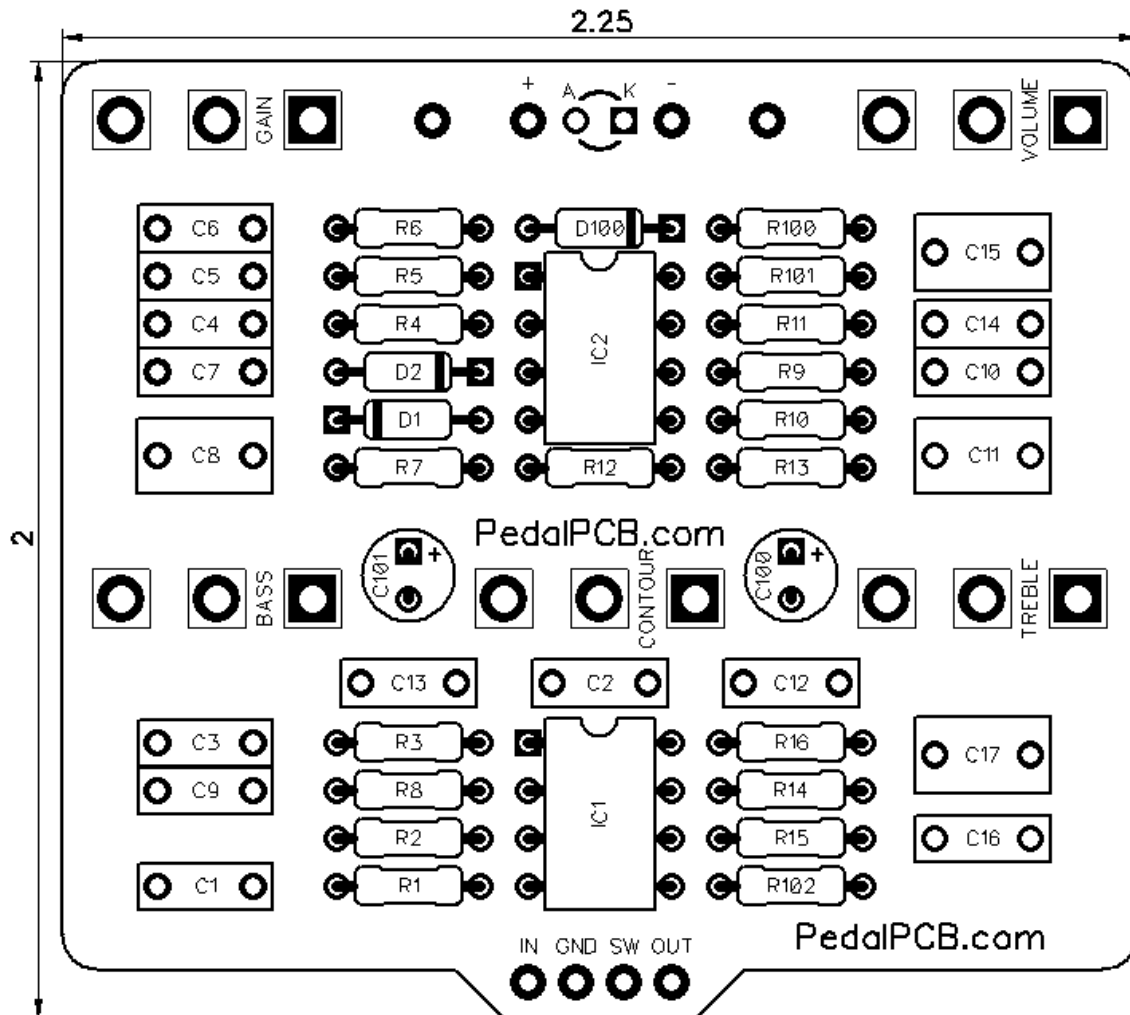




PedalPCB

Oroku Drive

Revision 05.05.20



Controls

- Volume
- Gain
- Treble
- Contour
- Bass

RESISTORS (1/4W)

R1	2M2
R2	1M
R3	3K3
R4	12K
R5	680K
R6	10K
R7	6K8
R8	1K
R9	220K
R10	47K
R11	100R
R12	33K
R13	33K
R14	100K
R15	100K
R16	1M
R100	4K7
R101	47K
R102	47K

CAPACITORS

C1	10n
C2	100p
C3	47n
C4	39n
C5	47p
C6	100n
C7	22n
C8	220n
C9	22n
C10	2n2
C11	220n
C12	100n
C13	47n
C14	1n
C15	220n
C16	1n
C17	220n
C100	47u
C101	100u

INTEGRATED CIRCUITS

IC1	TL072
IC2	TL072

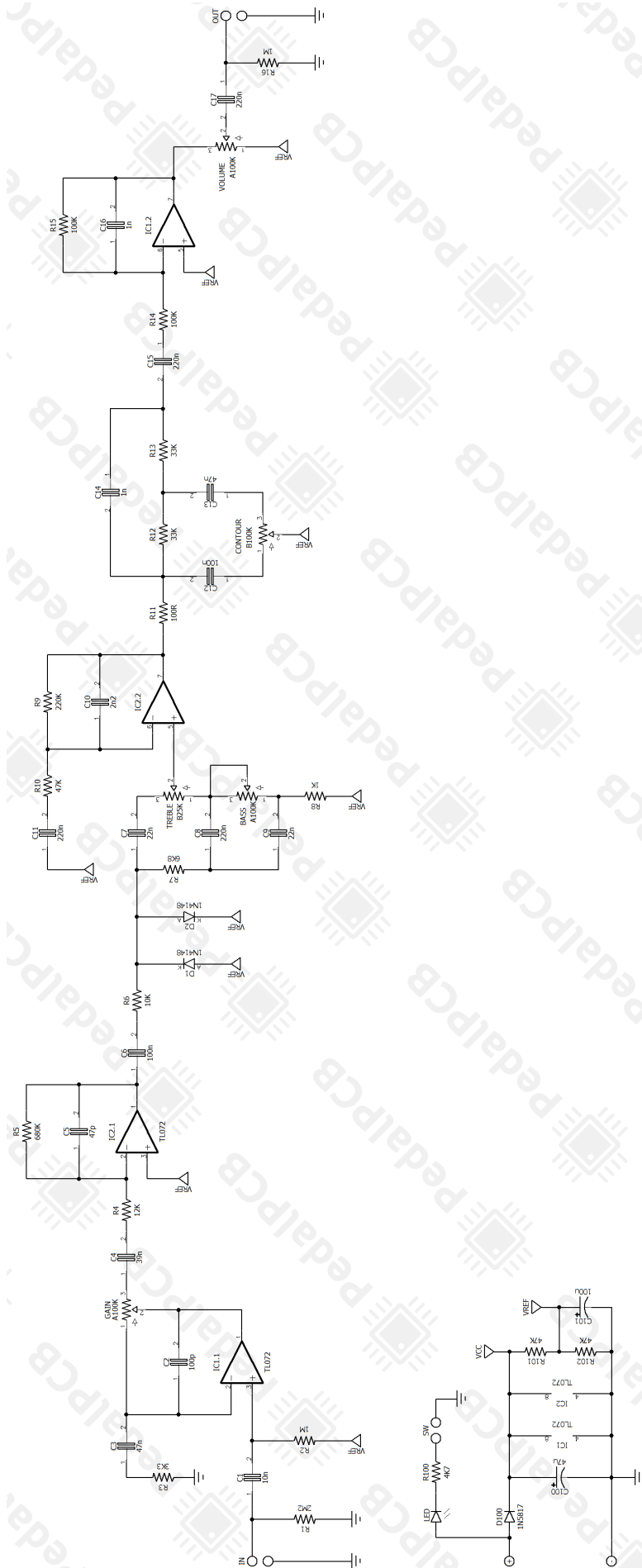
DIODES

D1	1N4148
D2	1N4148
D100	1N5817

POTENTIOMETERS

VOLUME	A100K
GAIN	A100K
TREBLE	B25K
BASS	A100K
CONTOUR	B100K

Oroku Drive



Oroku Drive

Wiring Diagram



