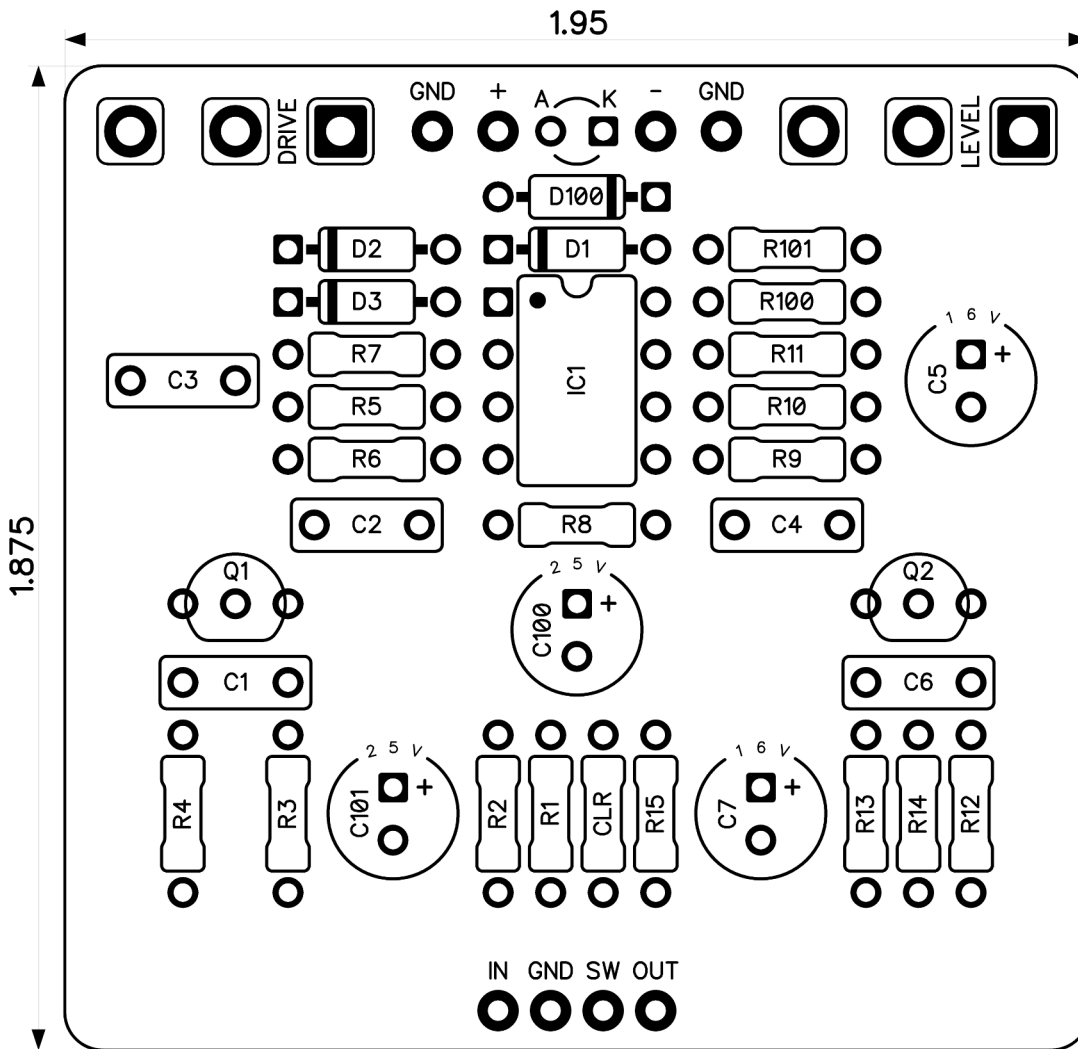


PedalPCB

Oddity Overdrive

Revised 4/13/23



CONTROLS AND FEATURES

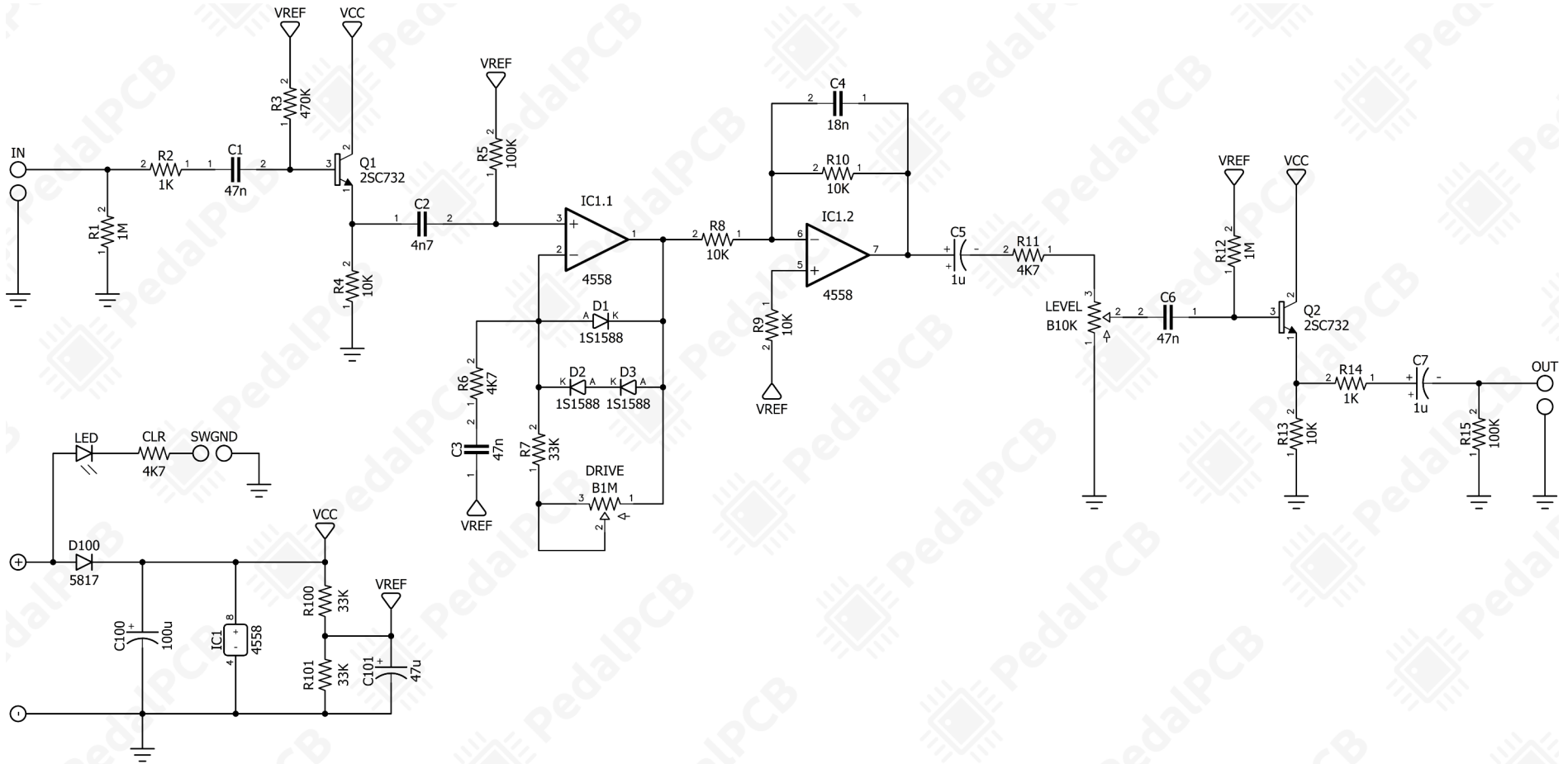
- Level
- Drive

All trademarks and registered trademarks are the property of their respective owners. The company, product, and service names used in this web site are for identification purposes only. Use of these names, logos, and brands does not imply endorsement.

LOCATION	VALUE	TYPE	NOTES
R1	1M	Resistor, 1/4W	
R2	1K	Resistor, 1/4W	
R3	470K	Resistor, 1/4W	
R4	10K	Resistor, 1/4W	
R5	100K	Resistor, 1/4W	
R6	4K7	Resistor, 1/4W	
R7	33K	Resistor, 1/4W	
R8	10K	Resistor, 1/4W	
R9	10K	Resistor, 1/4W	
R10	10K	Resistor, 1/4W	
R11	4K7	Resistor, 1/4W	
R12	1M	Resistor, 1/4W	
R13	10K	Resistor, 1/4W	
R14	1K	Resistor, 1/4W	
R15	100K	Resistor, 1/4W	
R100	33K	Resistor, 1/4W	
R101	33K	Resistor, 1/4W	
CLR	4K7	Resistor, 1/4W	* LED current limiting resistor
C1	47n	Film capacitor, 7.2 x 2.5mm	
C2	4n7	Film capacitor, 7.2 x 2.5mm	
C3	47n	Film capacitor, 7.2 x 2.5mm	
C4	18n	Film capacitor, 7.2 x 2.5mm	
C5	1u	Electrolytic capacitor, 5mm	
C6	47n	Film capacitor, 7.2 x 2.5mm	
C7	1u	Electrolytic capacitor, 5mm	
C100	100u	Electrolytic capacitor, 5mm	
C101	47u	Electrolytic capacitor, 5mm	
D1	1S1588	Signal diode, DO-35	
D2	1S1588	Signal diode, DO-35	
D3	1S1588	Signal diode, DO-35	
D100	1N5817	Schottky diode, DO-41	
Q1	2SC732	BJT transistor, NPN TO-92	
Q2	2SC732	BJT transistor, NPN TO-92	
IC1	JRC4558	Dual op-amp, DIP8	
LEVEL	B10K	16mm right-angle PCB mount pot	
DRIVE	B1M	16mm right-angle PCB mount pot	

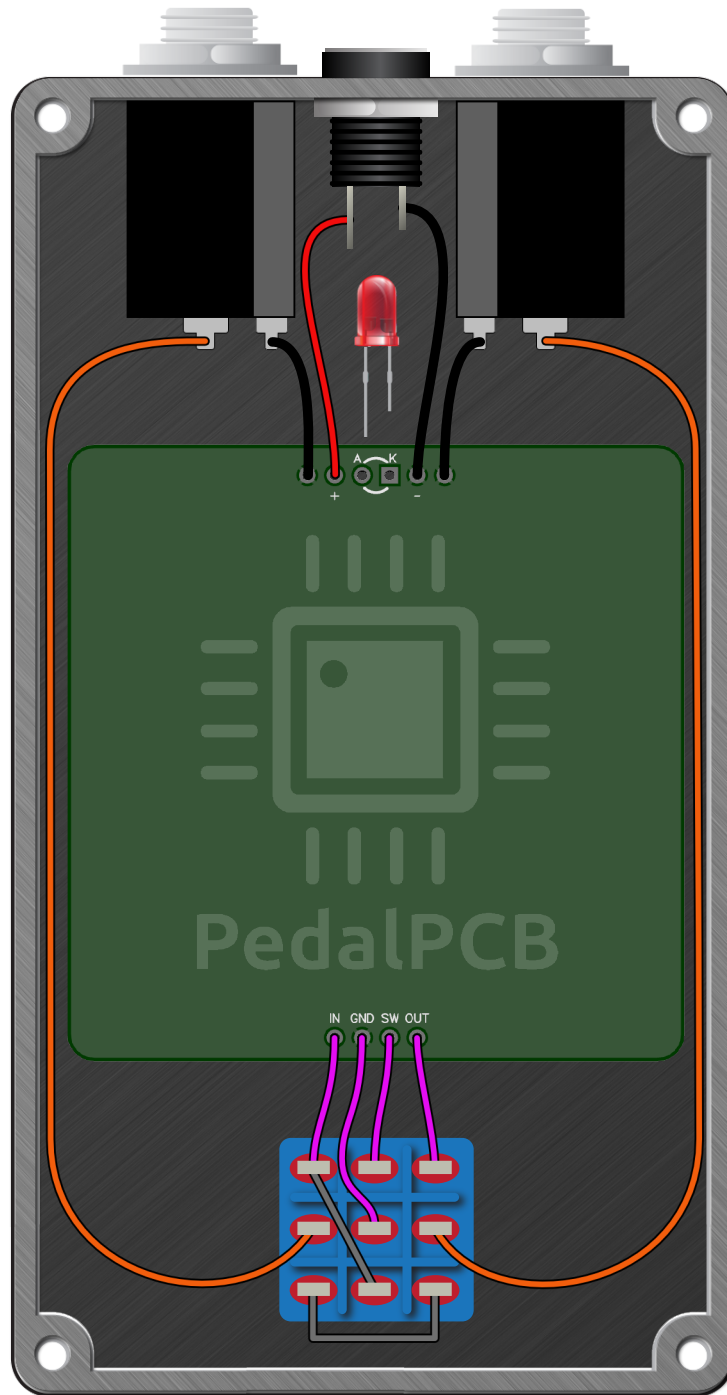
Oddity Overdrive

Schematic Diagram



Oddity Overdrive

Wiring Diagram



Oddity Overdrive

Drill Template
125B Enclosure

