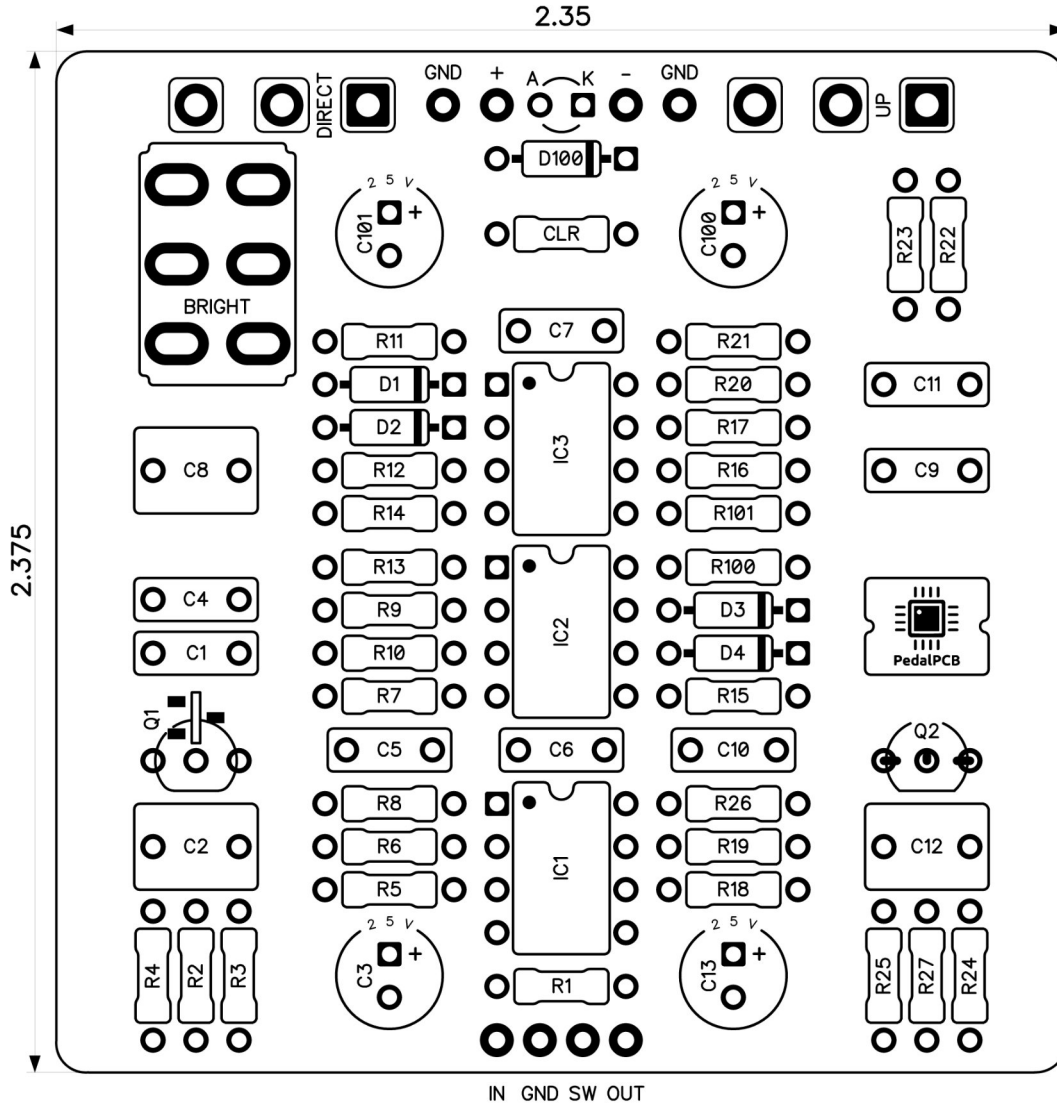


PedalPCB

Octuplet Octave

Revised 8/14/23



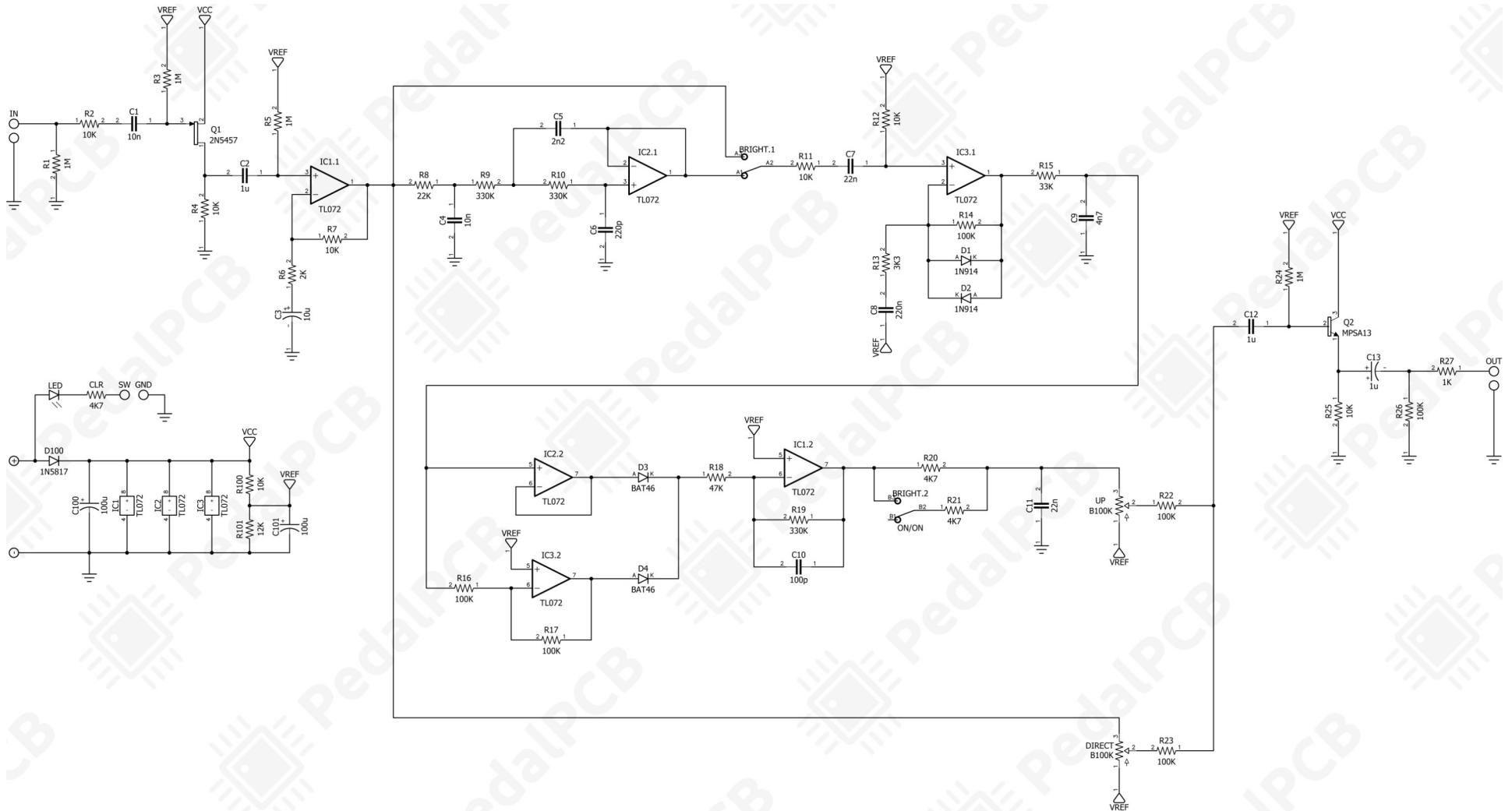
CONTROLS AND FEATURES

- Octave Up
- Direct
- Bright (Toggle switch)

All trademarks and registered trademarks are the property of their respective owners. The company, product, and service names used in this web site are for identification purposes only. Use of these names, logos, and brands does not imply endorsement.

Octuplet Octave

Schematic Diagram



Octuplet Octave

Drill Template
125B Enclosure

