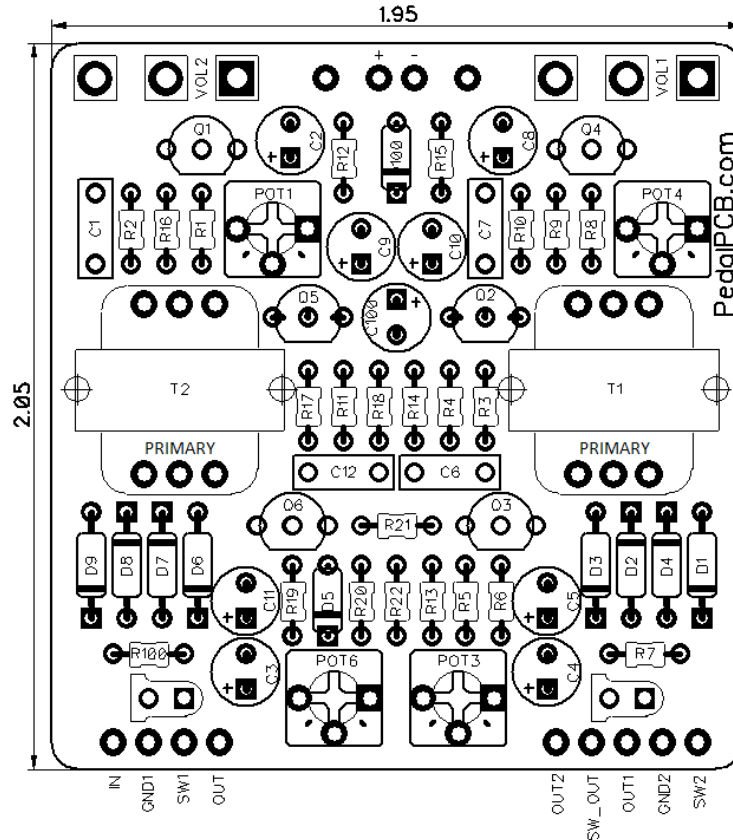


Octanaut

Revision 02.03.18



Resistors

R1	470K	R20	1M
R2	5K1	R21	470K
R3	47K	R22	1M
R4	2K	R100	4K7
R5	1M		
R6	470K		
R7	4K7		
R8	470K		
R9	1M		
R10	5K1		
R11	2K		
R12	47K		
R13	5K1		
R14	2K		
R15	47K		
R16	1M		
R17	47K		
R18	2K		
R19	5K1		

Capacitors

C1	100nF
C2	10uF
C3	1uF
C4	1uF
C5	1uF
C6	100nF
C7	100nF
C8	10uF
C9	10uF
C10	10uF
C11	1uF
C12	100nF
C100	47uF

Semiconductors

Q1	BS170
Q2	2N3904
Q3	BS170
Q4	BS170
Q5	2N3904
Q6	BS170
D1	1N34A
D2	1N34A
D3	1N34A
D4	1N34A
D5	9V1 Zener
D6	1N34A
D7	1N34A
D8	1N34A
D9	1N34A
D100	1N5817

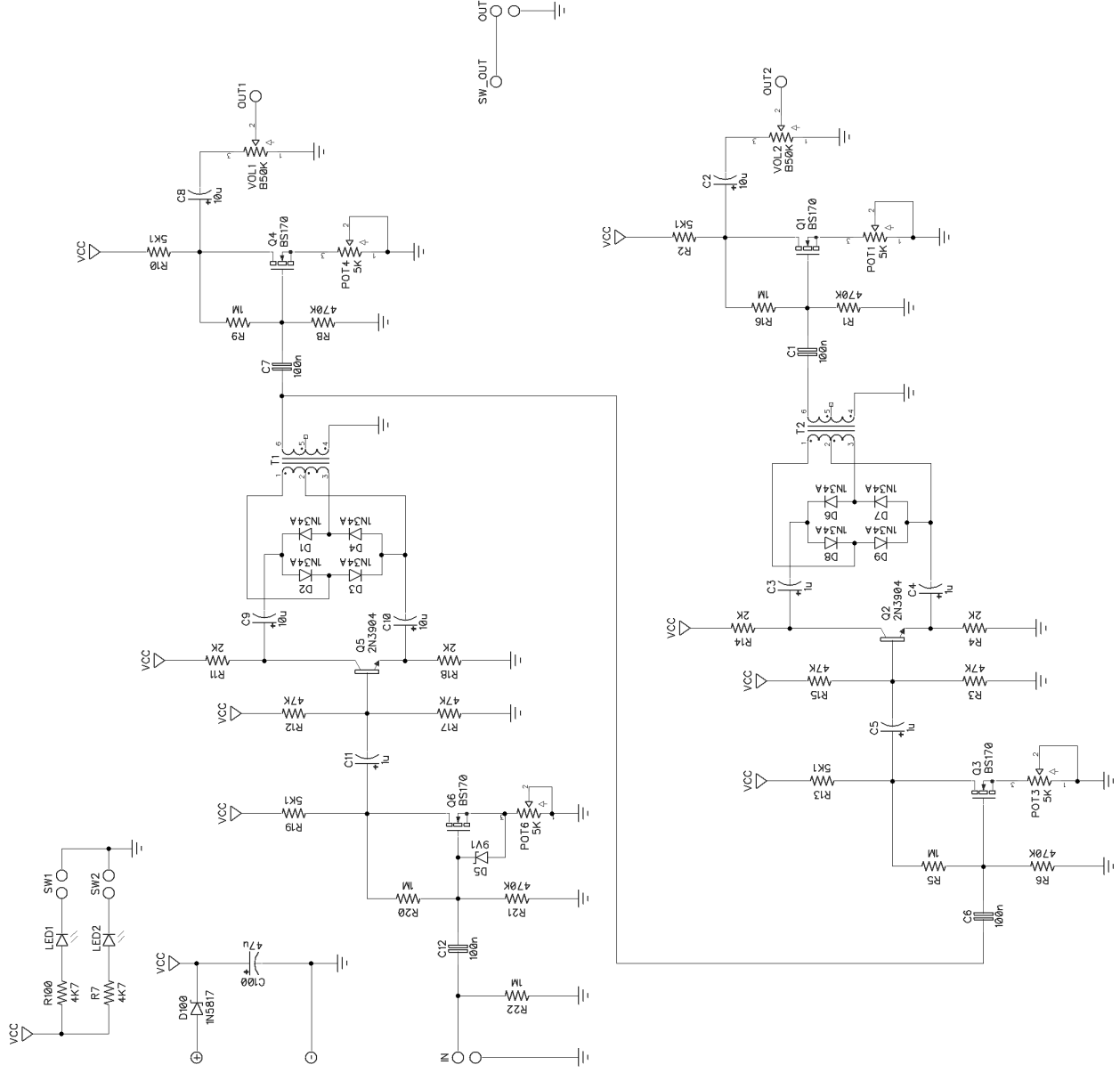
Potentiometers

VOL1	B50K
VOL2	B50K
POT1	5K TRIM
POT3	5K TRIM
POT4	5K TRIM
POT6	5K TRIM

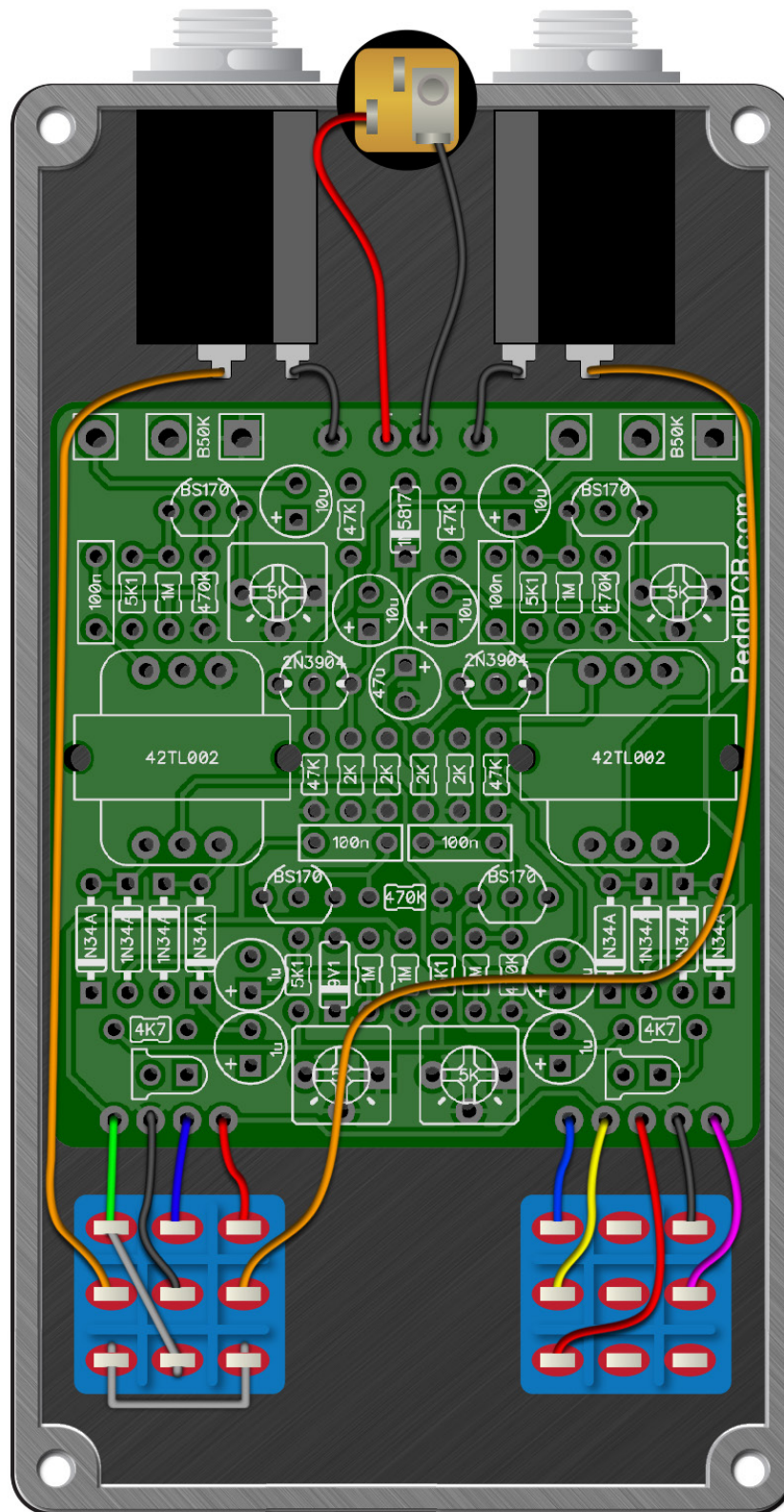
Transformers

T1	42TL002
T2	42TL002

Octonaut



Octanaut Wiring Diagram



Drill Template

4S125B enclosure with top mounted jacks

