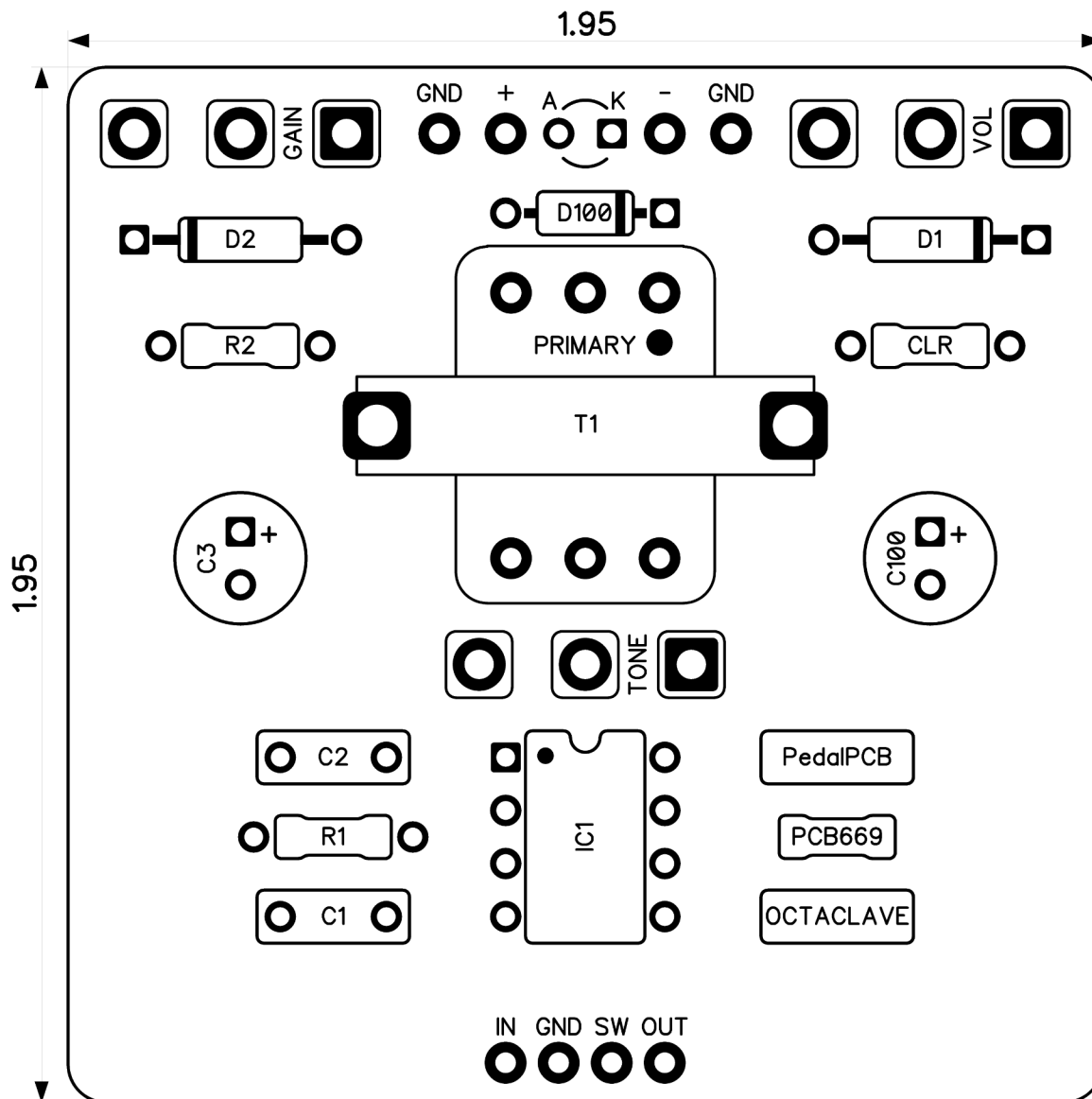


PedalPCB

Octaclave Octave Fuzz

Revised 4/11/24



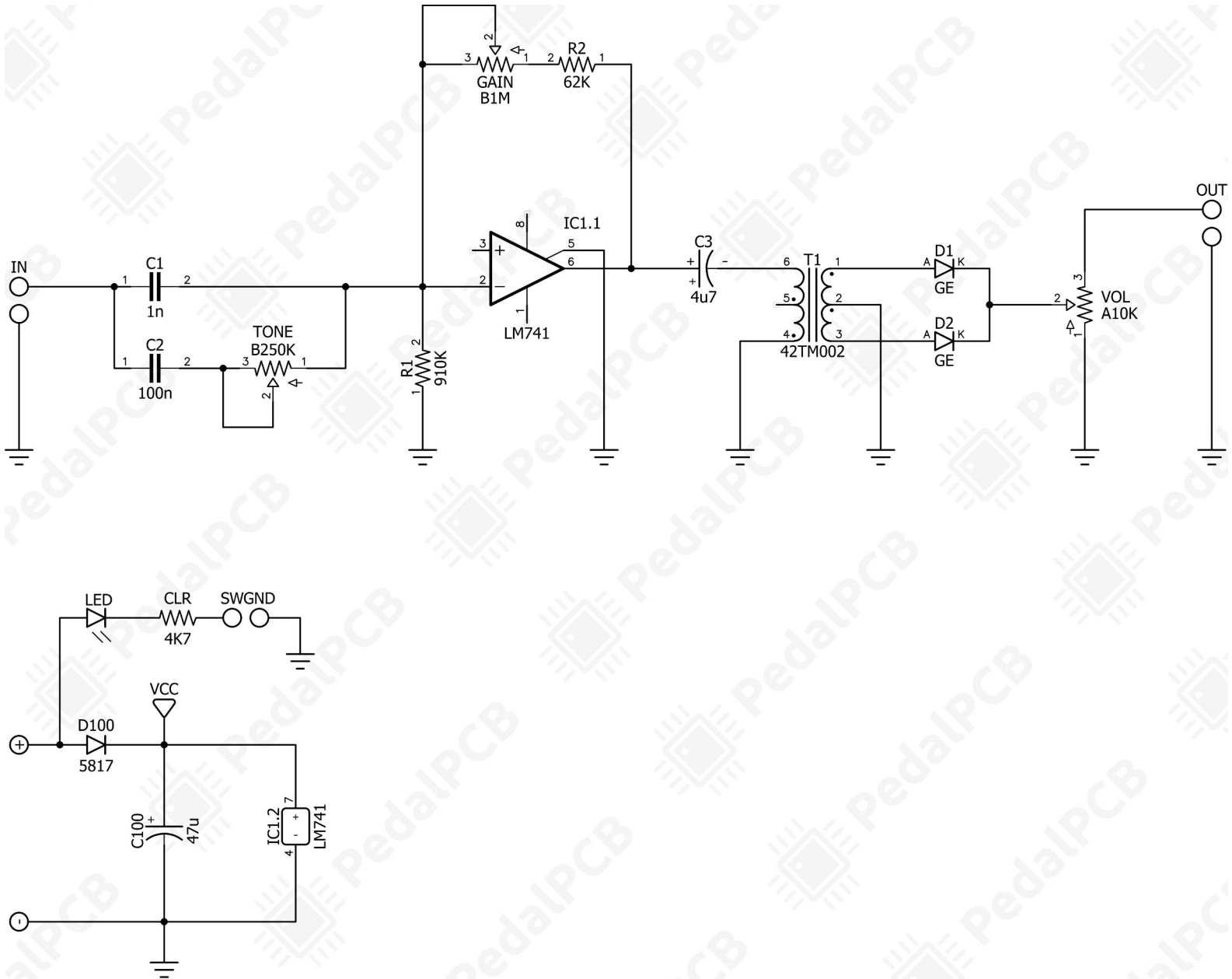
CONTROLS AND FEATURES

- Volume
- Tone
- Gain

All trademarks and registered trademarks are the property of their respective owners. The company, product, and service names used in this web site are for identification purposes only. Use of these names, logos, and brands does not imply endorsement.

Octave Octave Fuzz

Schematic Diagram



Octave Octave Fuzz

Wiring Diagram



Octaclave Octave Fuzz

Drill Template
125B Enclosure

