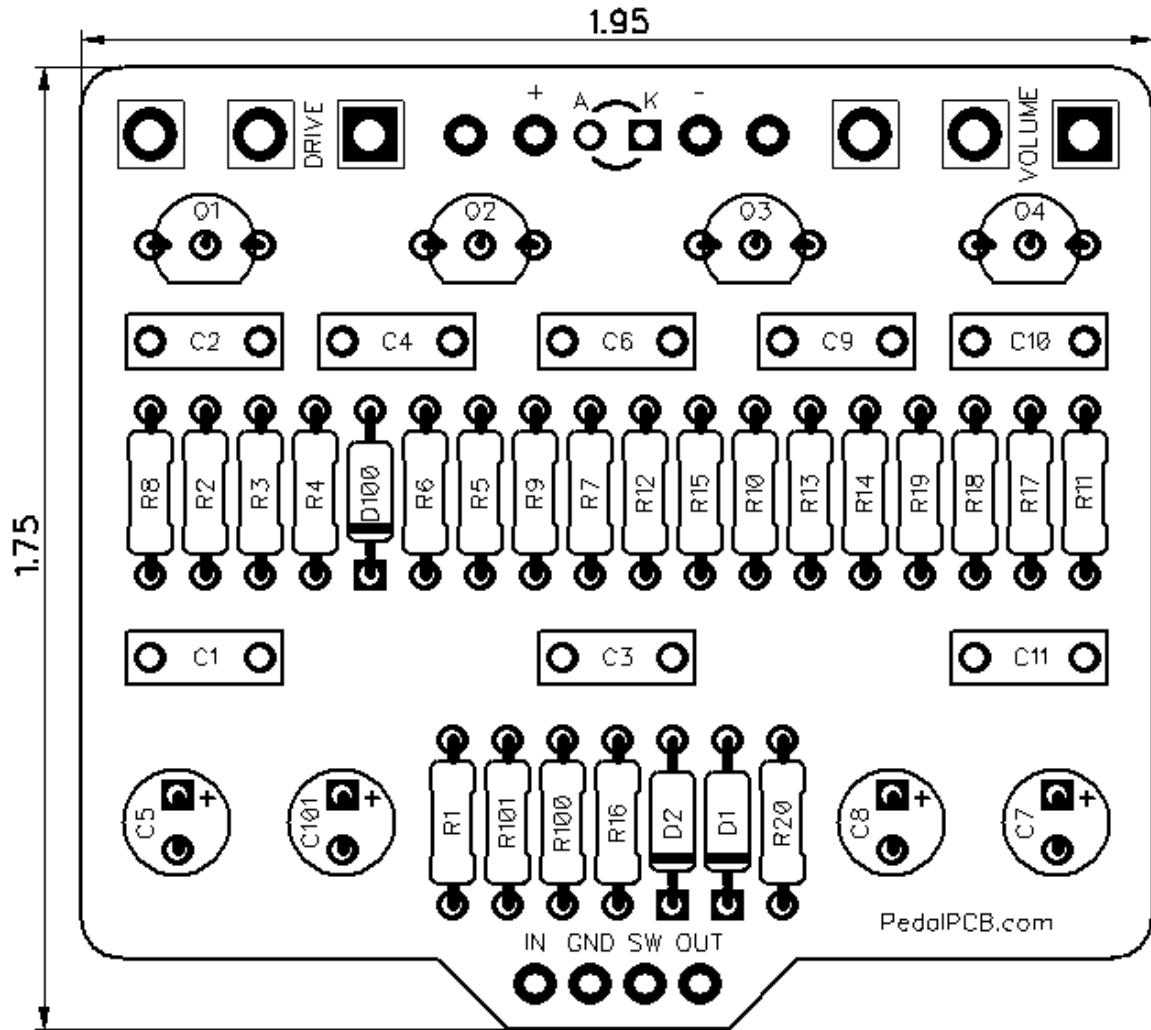




PedalPCB

OctaMayer Octave Fuzz

Revision 05.04.20



Controls

- Drive
- Volume

All trademarks and registered trademarks are the property of their respective owners. The company, product, and service names used in this web site are for identification purposes only. Use of these names, logos, and brands does not imply endorsement.

OctaMayer Octave Fuzz

Parts List

RESISTORS (1/4W)

R1	2M2
R2	680K
R3	820K
R4	100K
R5	220R
R6	39K
R7	39K
R8	220R
R9	47K
R10	330K
R11	470K
R12	10K
R13	10K
R14	2M2
R15	820K
R16	100K
R17	2M2
R18	2M2
R19	10K
R20	150K
R100	4K7
R101	180K

CAPACITORS

C1	10n
C2	470p
C3	1n
C4	100n
C5	22u
C6	10n
C7	22u
C8	22u
C9	10n
C10	10n
C11	100n
C101	22u

TRANSISTORS

Q1	2N3906
Q2	MPSA13
Q3	MPSA13
Q4	MPSA13

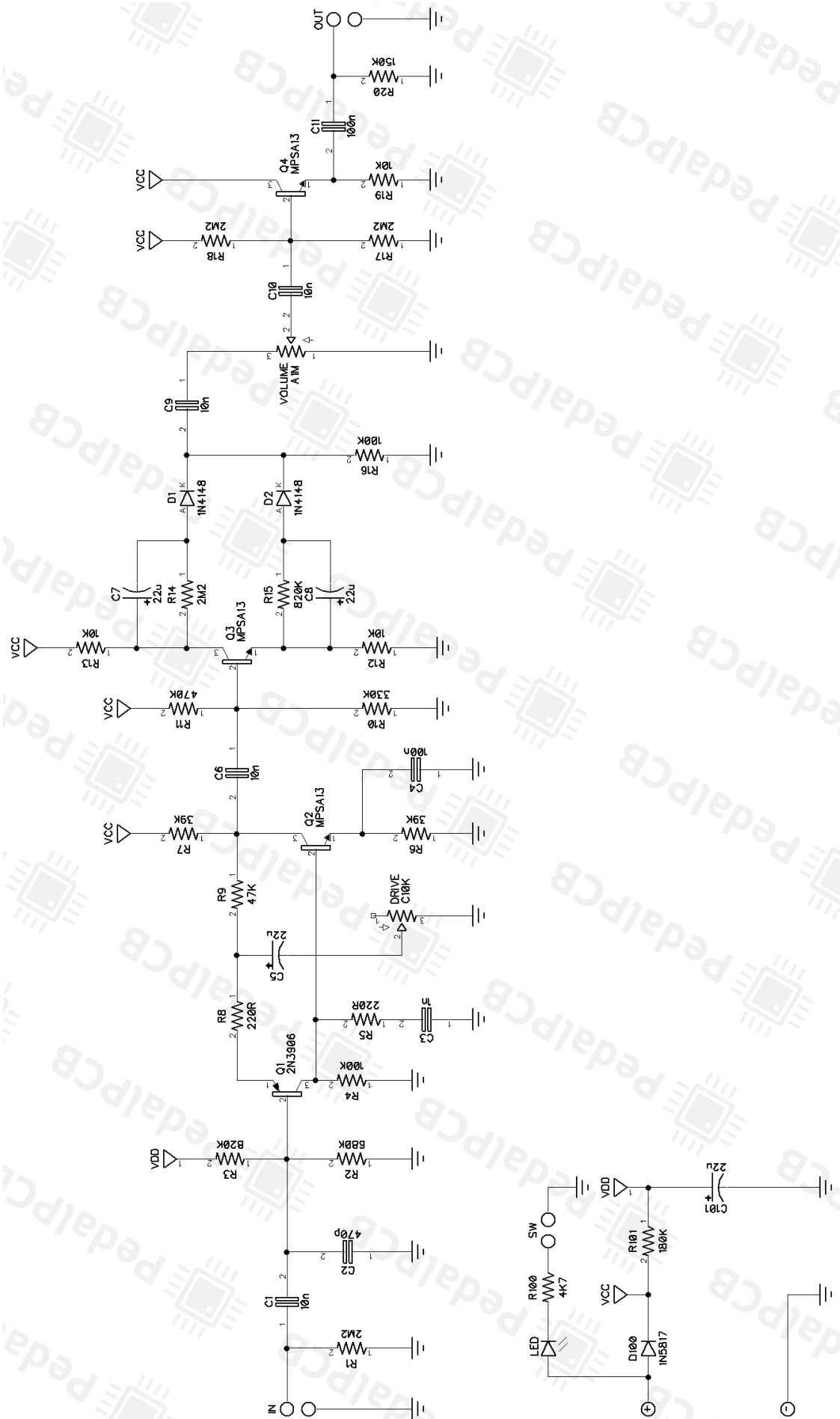
DIODES

D1	1N4148
D2	1N4148
D100	1N5817

POTENTIOMETERS

DRIVE	C10K
VOLUME	A1M

OctaMayer Octave Fuzz



OctaMayer Octave Fuzz

Wiring Diagram



OctaMayer Octave Fuzz

Drill Template
125B Enclosure

