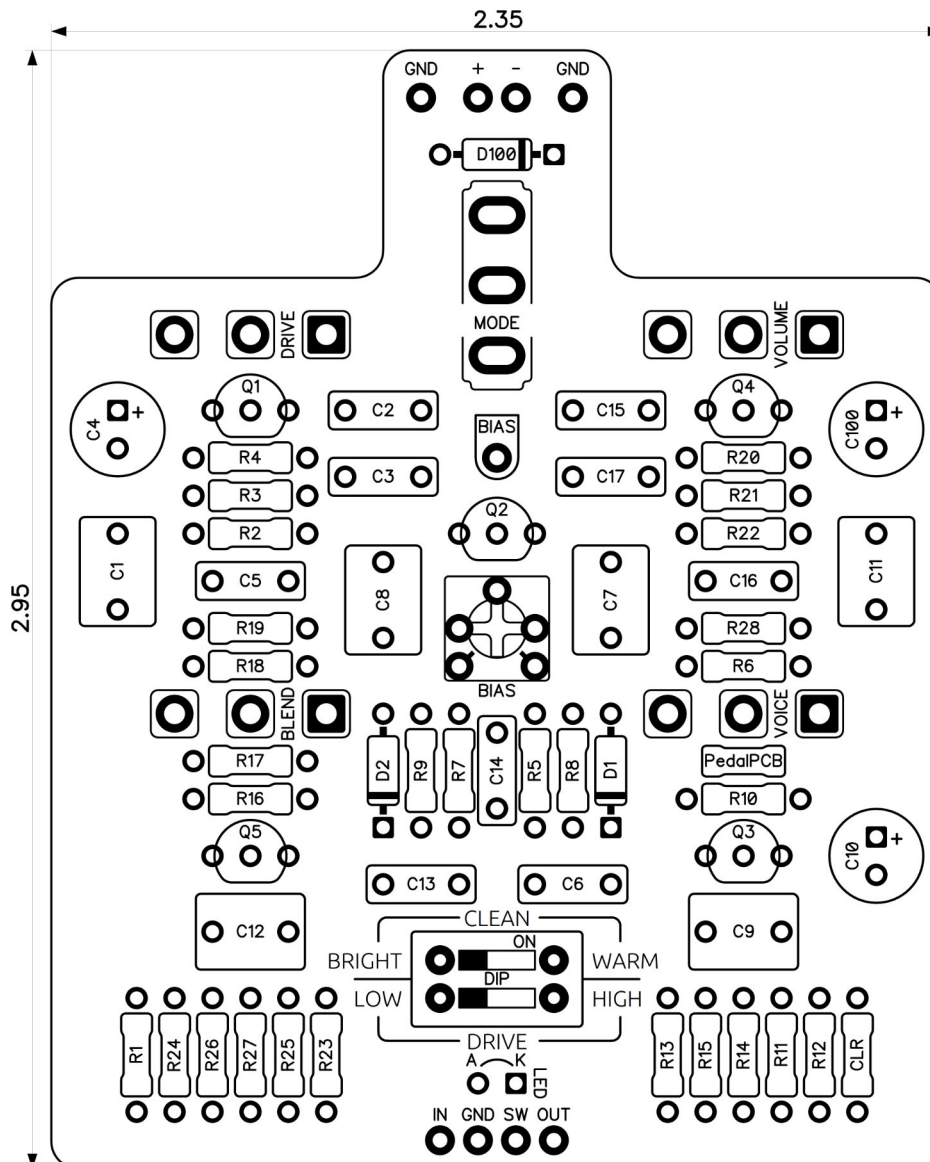




# PedalPCB

## OctaKing Fuzz

Revised 1/14/25



## CONTROLS AND FEATURES

- Volume
- Drive
- Voice
- Blend
- Mode (Toggle switch)
- Clean Bright/Warm (Internal dip switch)
- Drive Low/High (Internal dip switch)
- Bias (Internal trim pot)

All trademarks and registered trademarks are the property of their respective owners. The company, product, and service names used in this web site are for identification purposes only. Use of these names, logos, and brands does not imply endorsement.

LOCATION	VALUE	TYPE	NOTES
R1	2M2	Resistor, 1/4W	
R2	2M	Resistor, 1/4W	
R3	750K	Resistor, 1/4W	
R4	1K	Resistor, 1/4W	
R5	1K	Resistor, 1/4W	
R6	10K	Resistor, 1/4W	
R7	10K	Resistor, 1/4W	
R8	1M	Resistor, 1/4W	
R9	487K	Resistor, 1/4W	
R10	100K	Resistor, 1/4W	
R11	10K	Resistor, 1/4W	
R12	20K	Resistor, 1/4W	
R13	510R	Resistor, 1/4W	
R14	3M	Resistor, 1/4W	
R15	360K	Resistor, 1/4W	
R16	51K	Resistor, 1/4W	
R17	100K	Resistor, 1/4W	
R18	100K	Resistor, 1/4W	
R19	10K	Resistor, 1/4W	
R20	10K	Resistor, 1/4W	
R21	1M	Resistor, 1/4W	
R22	1M	Resistor, 1/4W	
R23	20K	Resistor, 1/4W	
R24	510R	Resistor, 1/4W	
R25	3M	Resistor, 1/4W	
R26	360K	Resistor, 1/4W	
R27	220K	Resistor, 1/4W	
R28	15K	Resistor, 1/4W	
CLR	4K7	Resistor, 1/4W	* LED current limiting resistor
C1	220n	Film capacitor, 7.2 x 5.0mm	
C2	4n7	Film capacitor, 7.2 x 2.5mm	
C3	5n6	Film capacitor, 7.2 x 2.5mm	
C4	22u	Electrolytic capacitor, 5mm	
C5	2n2	Film capacitor, 7.2 x 2.5mm	
C6	15n	Film capacitor, 7.2 x 2.5mm	
C7	220n	Film capacitor, 7.2 x 5.0mm	
C8	220n	Film capacitor, 7.2 x 5.0mm	
C9	1u	Film capacitor, 7.2 x 5.0mm	
C10	4u7	Electrolytic capacitor, 5mm	
C11	1u	Film capacitor, 7.2 x 5.0mm	
C12	1u	Film capacitor, 7.2 x 5.0mm	
C13	22n	Film capacitor, 7.2 x 2.5mm	
C14	100n	Film capacitor, 7.2 x 2.5mm	
C15	100n	Film capacitor, 7.2 x 2.5mm	
C16	33n	Film capacitor, 7.2 x 2.5mm	
C17	100n	Film capacitor, 7.2 x 2.5mm	
C100	100u	Electrolytic capacitor, 5mm	
D1	1N914	Signal diode, DO-35	
D2	1N914	Signal diode, DO-35	
D100	1N5817	Schottky diode, DO-41	
Q1	2N5089	BJT transistor, NPN TO-92	
Q2	2N3904	BJT transistor, NPN TO-92	
Q3	2N3904	BJT transistor, NPN TO-92	
Q4	2N3904	BJT transistor, NPN TO-92	
Q5	2N3904	BJT transistor, NPN TO-92	
DIP	DIP-2	DIP switch (2 position), DIP4	
MODE	ON/OFF/ON	Toggle switch, SPDT	2-position (ON/ON)
BIAS	10K	Trimmer potentiometer, 3362P type	
VOLUME	B100K	16mm right-angle PCB mount pot	
DRIVE	C1K	16mm right-angle PCB mount pot	
VOICE	W50K	16mm right-angle PCB mount pot	
BLEND	B50K	16mm right-angle PCB mount pot	

