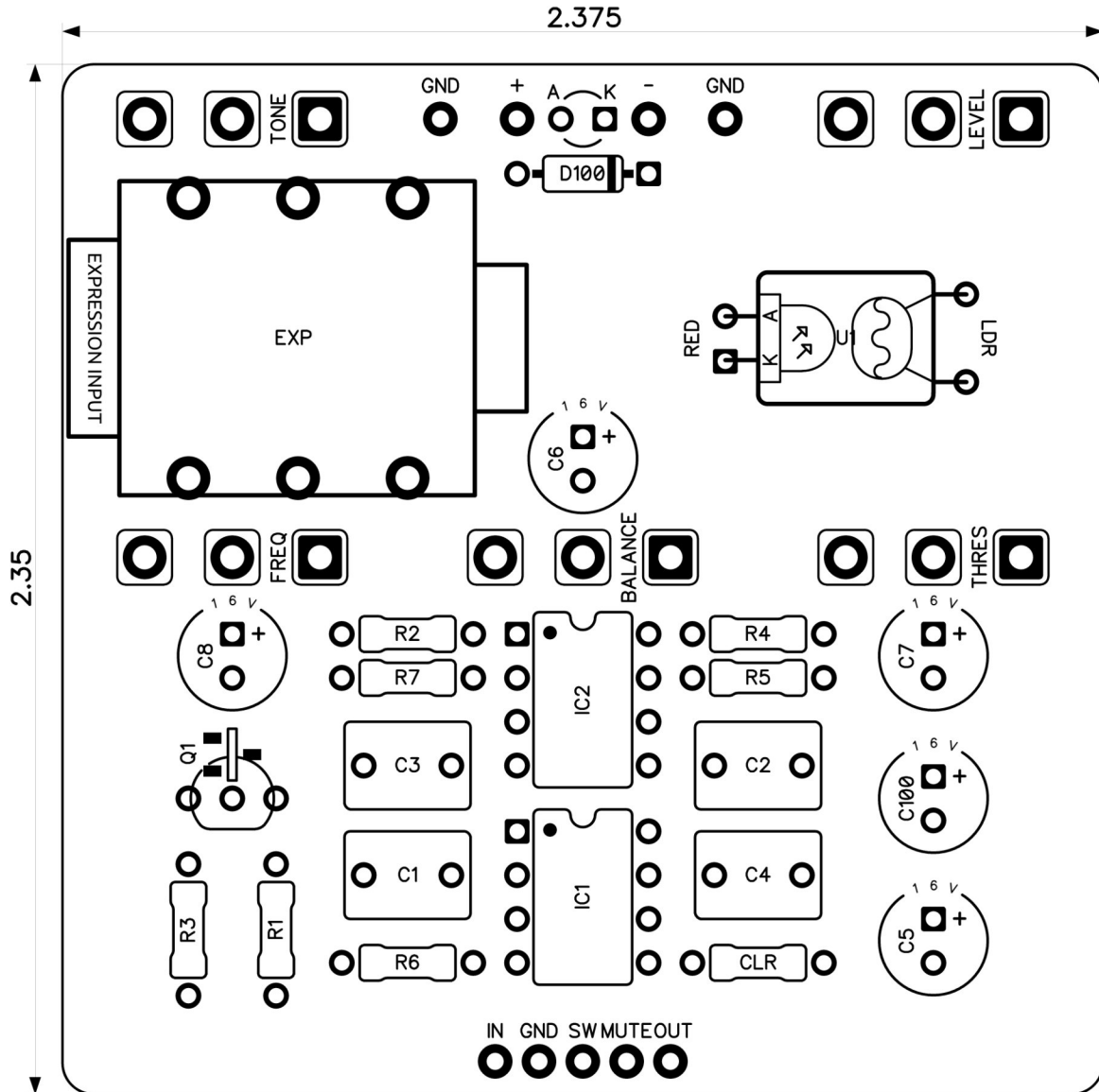




Nutty Fuzz

Revised 3/4/24



CONTROLS AND FEATURES

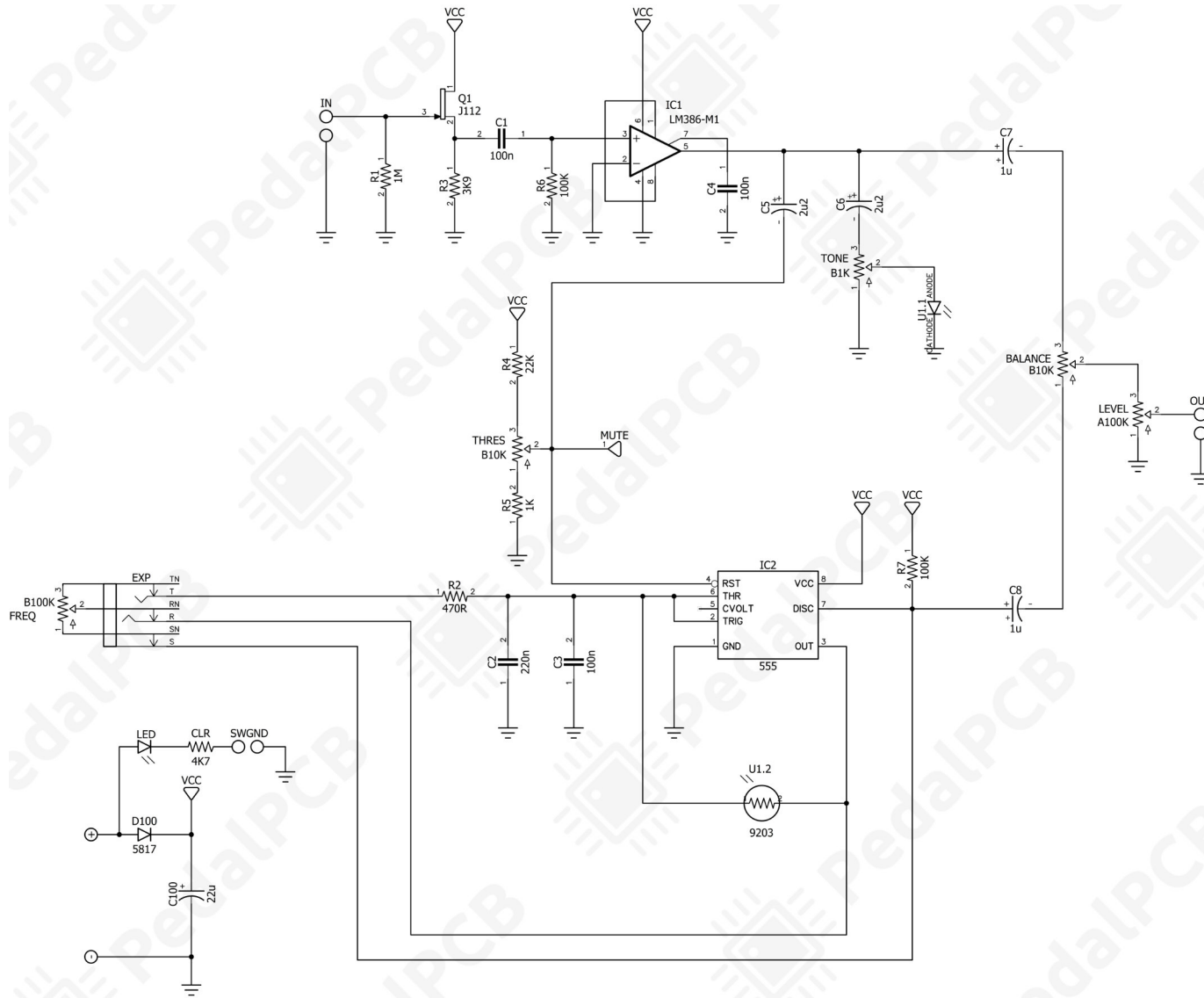
- Level
- Tone
- Threshold
- Balance
- Frequency

All trademarks and registered trademarks are the property of their respective owners. The company, product, and service names used in this web site are for identification purposes only. Use of these names, logos, and brands does not imply endorsement.

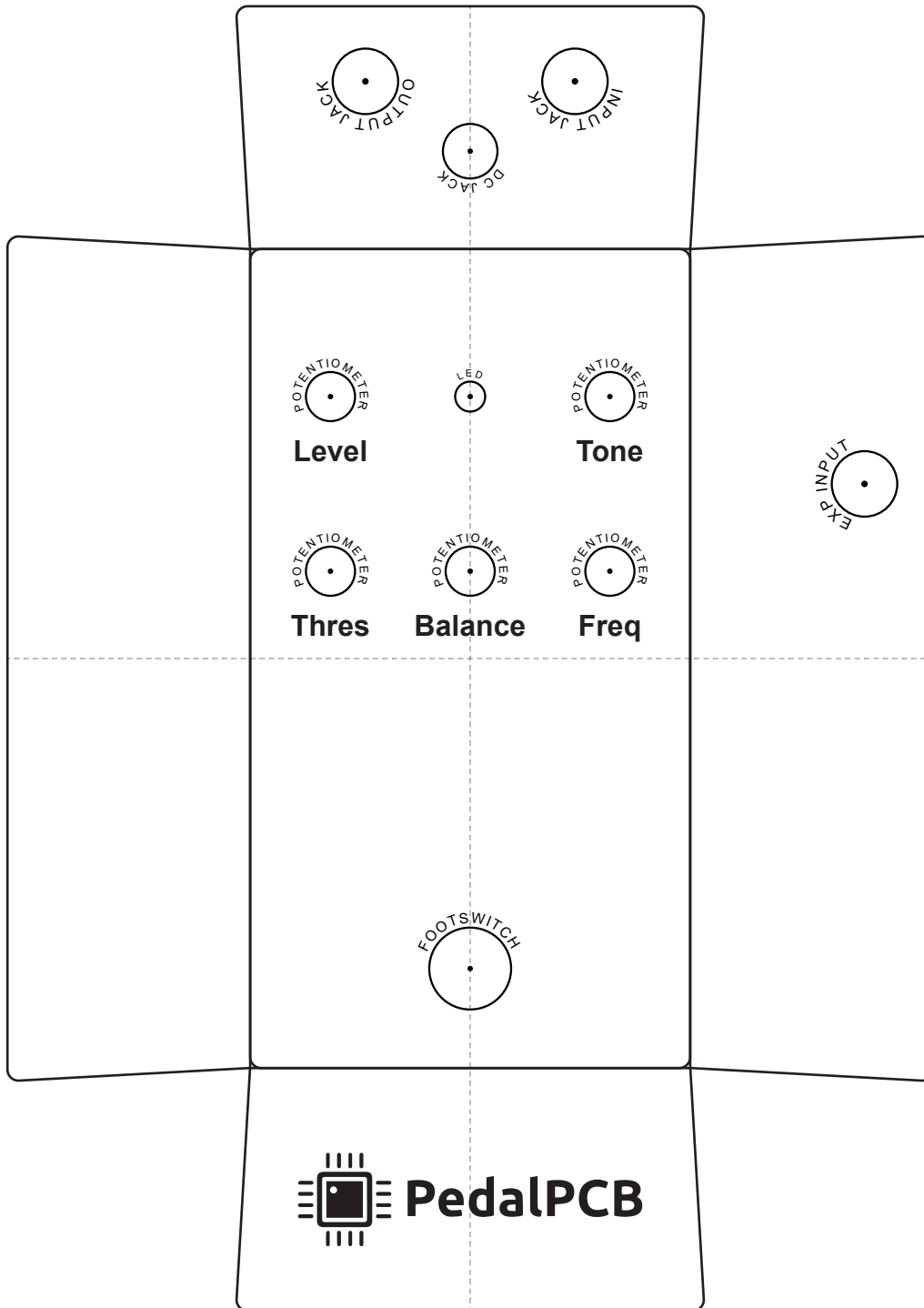
LOCATION	VALUE	TYPE	NOTES
R1	1M	Resistor, 1/4W	
R2	470R	Resistor, 1/4W	
R3	3K9	Resistor, 1/4W	
R4	22K	Resistor, 1/4W	
R5	1K	Resistor, 1/4W	
R6	100K	Resistor, 1/4W	
R7	100K	Resistor, 1/4W	
CLR	4K7	Resistor, 1/4W	* LED current limiting resistor
C1	100n	Film capacitor, 7.2 x 2.5mm	
C2	220n	Film capacitor, 7.2 x 5.0mm	
C3	100n	Film capacitor, 7.2 x 2.5mm	
C4	100n	Film capacitor, 7.2 x 2.5mm	
C5	2u2	Electrolytic capacitor, 5mm	
C6	2u2	Electrolytic capacitor, 5mm	
C7	1u	Electrolytic capacitor, 5mm	
C8	1u	Electrolytic capacitor, 5mm	
C100	22u	Electrolytic capacitor, 5mm	
D100	1N5817	Schottky diode, DO-41	
Q1	J112	JFET transistor, N-channel	
IC1	LM386-M1	Low voltage audio power amplifier	
IC2	TLC555	CMOS timer IC	
LDR	9203	Light dependant resistor	
LED	RED	3mm Red LED, Diffused	
LEVEL	A100K	16mm right-angle PCB mount pot	
TONE	B1K	16mm right-angle PCB mount pot	
THRES	B10K	16mm right-angle PCB mount pot	
BALANCE	B10K	16mm right-angle PCB mount pot	
FREQ	B100K	16mm right-angle PCB mount pot	
EXP	NMJ6HCD2	Neutrik 1/4" Insulated Stereo Jack	Alternative: Tayda A-1122


Nutty Fuzz

Schematic Diagram







 **NOTE -** Depth of expression input varies depending on PCB installation and enclosure manufacturing variances. **Measure twice before drilling!**