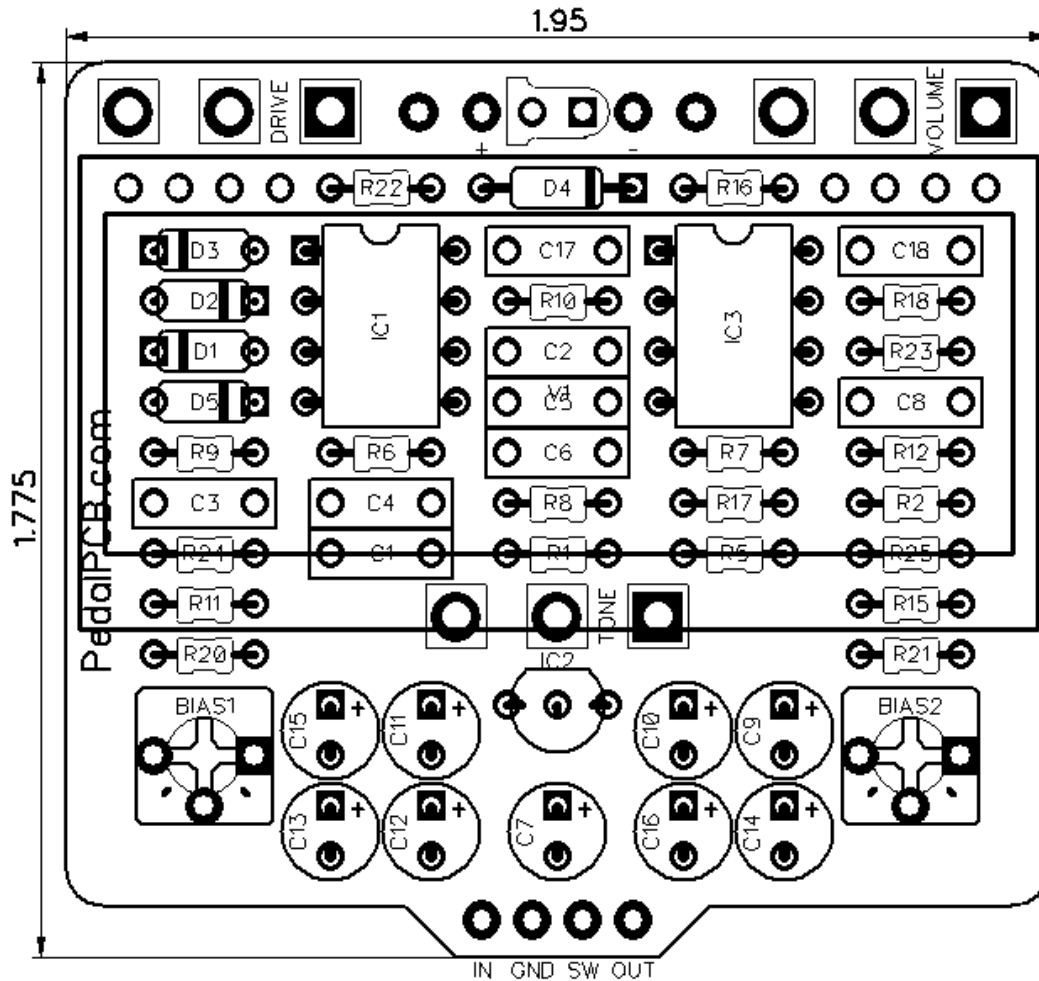




# PedalPCB

## NuDrive

Revision 12.28.19



### Controls

- **Volume** – Controls the overall output volume
- **Tone** – Controls the post-gain high frequencies
- **Drive** – Controls amount of signal gain

All trademarks and registered trademarks are the property of their respective owners. The company, product, and service names used in this web site are for identification purposes only. Use of these names, logos, and brands does not imply endorsement.

**RESISTORS (1/8W)**

R1 1M  
R2 100K  
R5 1M  
R6 20K  
R7 330  
R8 3K3  
R9 1K  
R10 1K  
R11 1K  
R12 100K  
R15 10K  
R16 10K  
R17 10K  
R18 4K7  
R20 150  
R21 150  
R22 470K  
R23 470K  
R24 33K  
R25 33K

**CAPACITORS**

C1 27n  
C2 100n  
C3 51p  
C4 100n  
C5 220n  
C6 220n  
C7 1u  
C8 100n  
C9 10u  
C10 47u  
C11 47u  
C12 10u  
C13 10u  
C14 10u  
C15 10u  
C16 10u  
C17 100n  
C18 100n

**PIN HEADERS**

2 x 4-pin 2.54mm Male Pinheader

**INTEGRATED CIRCUITS**

IC1 JRC4558  
IC2 L78L33  
IC3 JRC4558

**DIODES**

D1 1N914  
D2 1N914  
D3 1N914  
D4 1N5817  
D5 1N914

**POTENTIOMETERS**

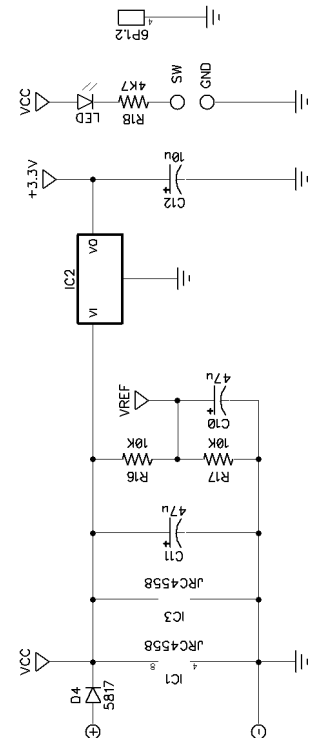
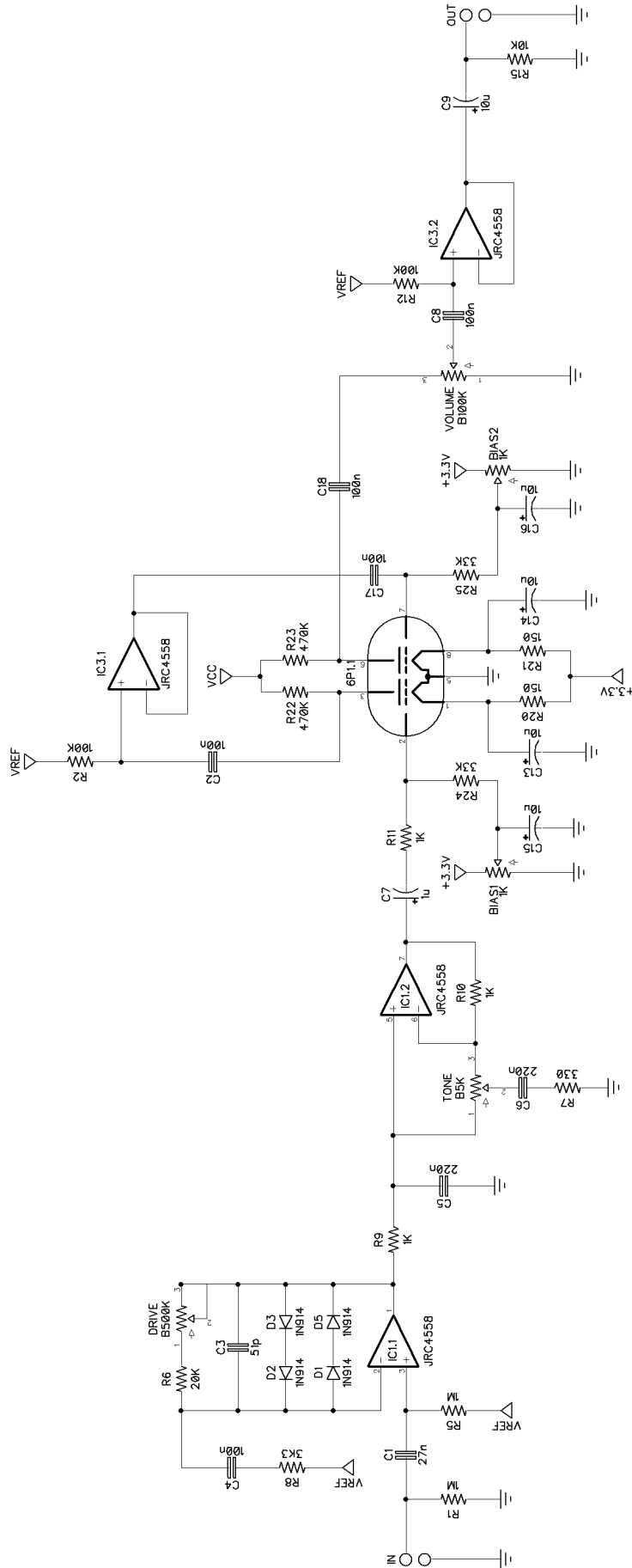
VOLUME B100K  
TONE B5K  
DRIVE B500K

**TRIM POTS (3362P)**

BIAS1 1K  
BIAS2 1K

**NUTUBE**

6P1 KORG NUTUBE





### NOTE

Padding (double-sided foam tape or hot glue) may be desired between NuTube device and carrier PCB to prevent microphonic vibrations.

### NuTube Assembly Instructions

- 1) Install NuTube device on 6P1 carrier PCB
- 2) Solder 2 x 4-pin pinheaders to main NuDrive PCB
- 3) Attach 6P1 carrier PCB assembly to main NuDrive PCB

