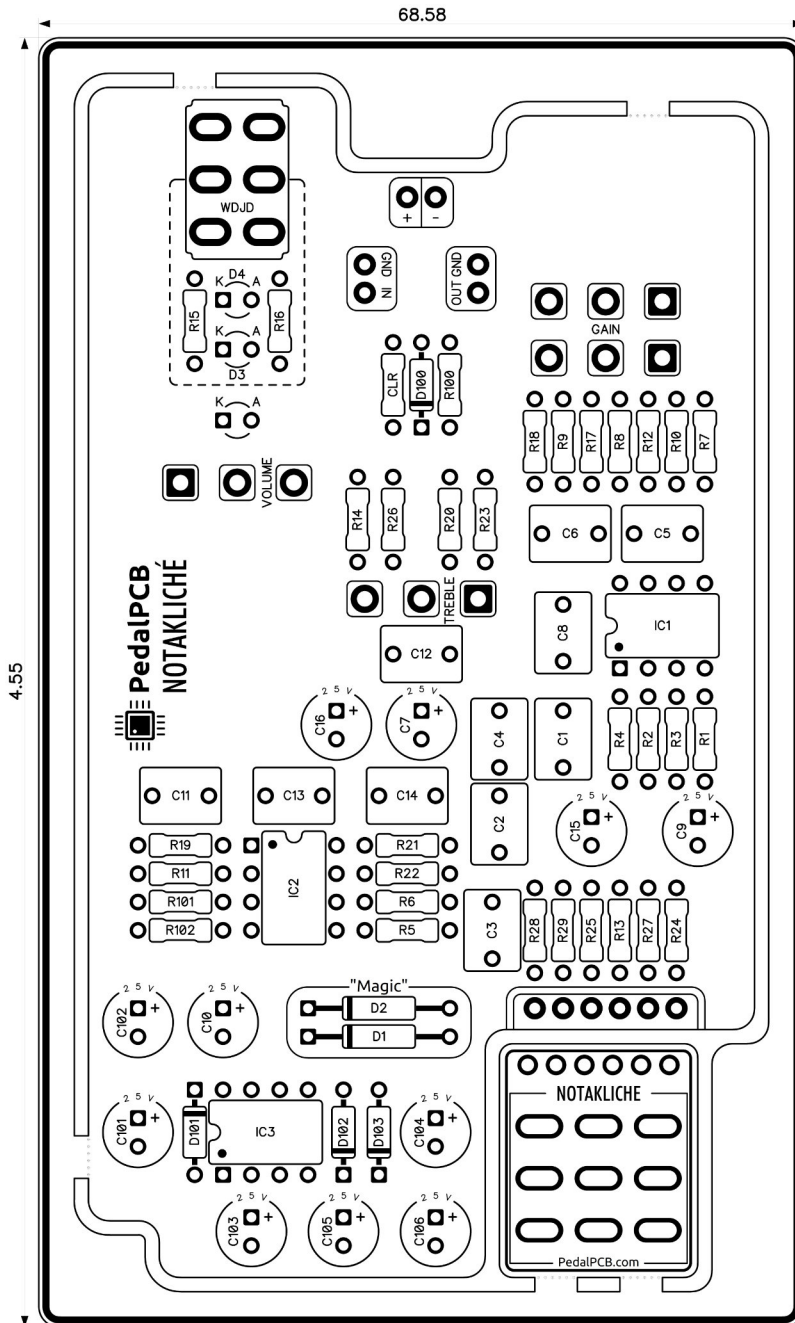




PedalPCB

# NOTAKLICHE

Revised 5/15/24



## CONTROLS AND FEATURES









- Gain
- Treble
- Output
- WDJD (Toggle switch)

All trademarks and registered trademarks are the property of their respective owners. The company, product, and service names used in this web site are for identification purposes only. Use of these names, logos, and brands does not imply endorsement.

LOCATION	VALUE	TYPE	NOTES
R1	1M	Resistor, 1/4W	
R2	10K	Resistor, 1/4W	
R3	1M	Resistor, 1/4W	
R4	5K1	Resistor, 1/4W	
R5	1K5	Resistor, 1/4W	
R6	1K	Resistor, 1/4W	
R7	10K	Resistor, 1/4W	
R8	1K5	Resistor, 1/4W	
R9	2K	Resistor, 1/4W	
R10	15K	Resistor, 1/4W	
R11	15K	Resistor, 1/4W	
R12	422K	Resistor, 1/4W	
R13	1K	Resistor, 1/4W	
R14	22K	Resistor, 1/4W	
R15	47K	Resistor, 1/4W	
R16	27K	Resistor, 1/4W	
R17	27K	Resistor, 1/4W	
R18	12K	Resistor, 1/4W	
R19	392K	Resistor, 1/4W	
R20	1K8	Resistor, 1/4W	
R21	100K	Resistor, 1/4W	
R22	100K	Resistor, 1/4W	
R23	4K7	Resistor, 1/4W	
R24	100K	Resistor, 1/4W	
R25	560R	Resistor, 1/4W	
R26	560R	Resistor, 1/4W	
R27	68K	Resistor, 1/4W	
R28	68K	Resistor, 1/4W	
R29	100K	Resistor, 1/4W	
R100	100R	Resistor, 1/4W	
R101	27K	Resistor, 1/4W	
R102	27K	Resistor, 1/4W	
CLR	3K9	Resistor, 1/4W	* LED current limiting resistor
C1	100n	Film capacitor, 7.2 x 2.5mm	
C2	68n	Film capacitor, 7.2 x 2.5mm	
C3	390n	Film capacitor, 7.2 x 5.0mm	
C4	100n	Film capacitor, 7.2 x 2.5mm	
C5	68n	Film capacitor, 7.2 x 2.5mm	
C6	82n	Film capacitor, 7.2 x 2.5mm	
C7	1u	Electrolytic capacitor, 5.0mm	⚡ 25V minimum voltage
C8	390p	Ceramic capacitor	
C9	1u	Electrolytic capacitor, 5.0mm	⚡ 25V minimum voltage
C10	1u	Electrolytic capacitor, 5.0mm	⚡ 25V minimum voltage
C11	2n2	Film capacitor, 7.2 x 2.5mm	
C12	27n	Film capacitor, 7.2 x 2.5mm	
C13	820p	Ceramic capacitor	
C14	3n9	Film capacitor, 7.2 x 2.5mm	
<i>Continued on next page...</i>			

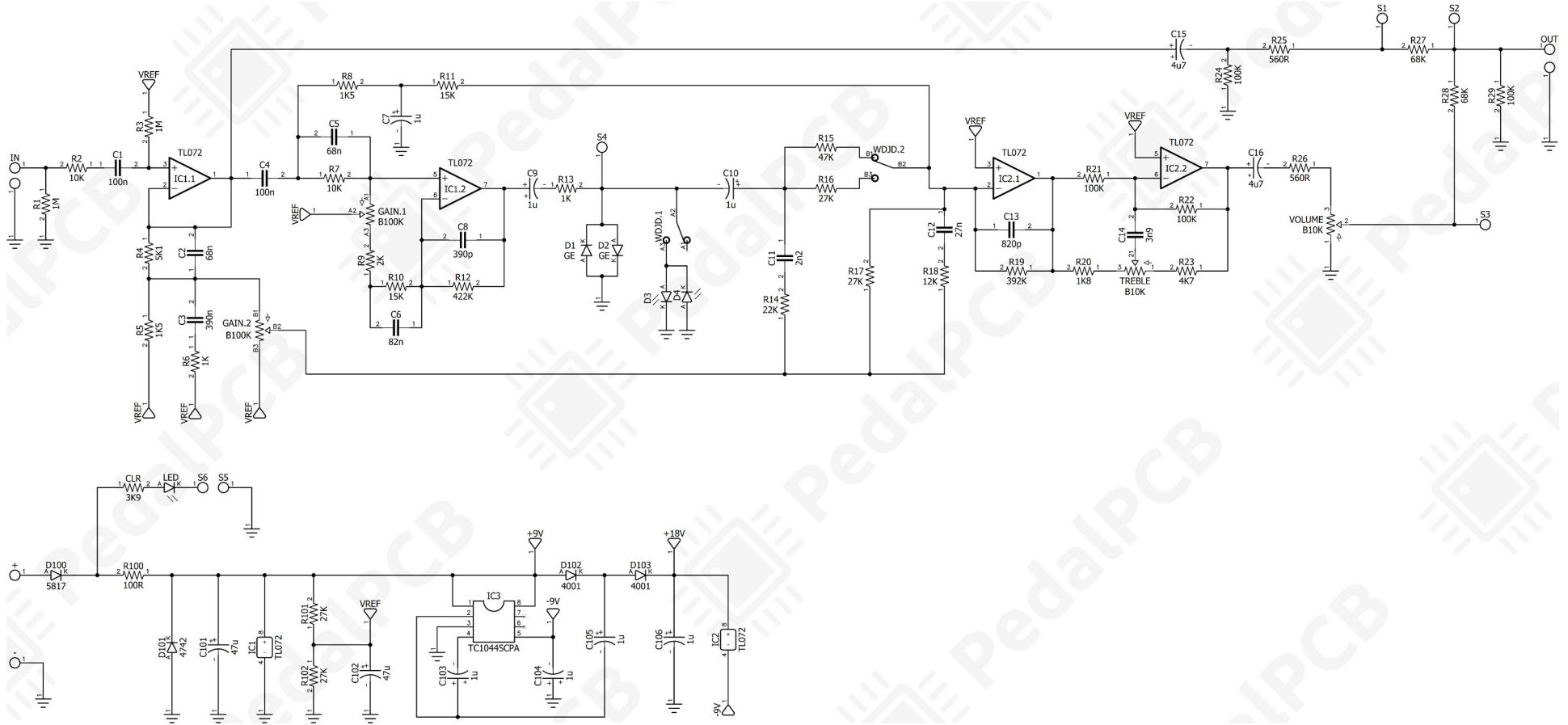
# NOTAKLICHE

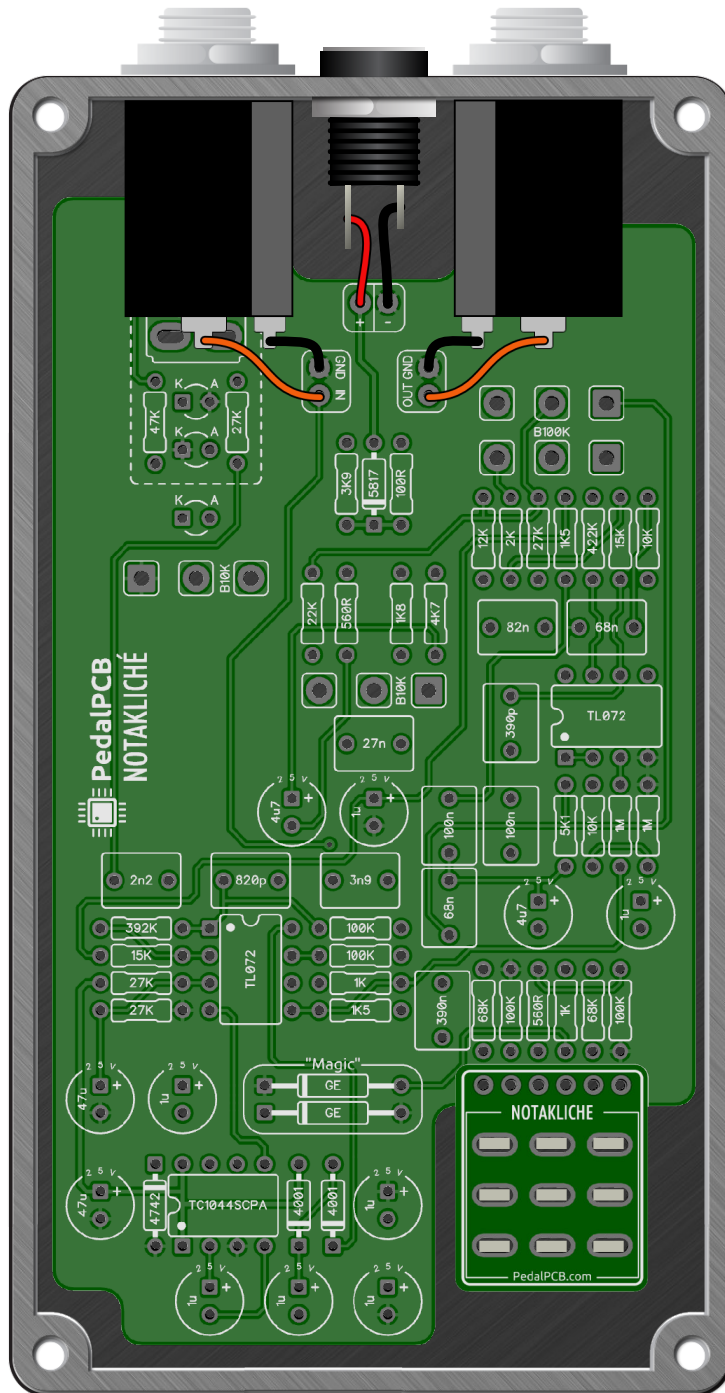
Parts List (Page 2 of 2)

LOCATION	VALUE	TYPE	NOTES
C15	4u7	Electrolytic capacitor, 5.0mm	 25V minimum voltage
C16	4u7	Electrolytic capacitor, 5.0mm	 25V minimum voltage
C101	47u	Electrolytic capacitor, 5.0mm	 25V minimum voltage
C102	47u	Electrolytic capacitor, 5.0mm	 25V minimum voltage
C103	1u	Electrolytic capacitor, 5.0mm	 25V minimum voltage
C104	1u	Electrolytic capacitor, 5.0mm	 25V minimum voltage
C105	1u	Electrolytic capacitor, 5.0mm	 25V minimum voltage
C106	1u	Electrolytic capacitor, 5.0mm	 25V minimum voltage
D1	GE	Germanium diode	
D2	GE	Germanium diode	
D3	RED	3mm Red LED	
D4	RED	3mm Red LED	
D100	1N5817	Schottky diode, DO-41	
D101	1N4742	Zener diode 1/2W, 12V	
D102	1N4001	General purpose rectifier, DO-41	
D103	1N4001	General purpose rectifier, DO-41	
IC1	TL072	Dual op-amp, DIP8	
IC2	TL072	Dual op-amp, DIP8	
IC3	TC1044SCPA	Charge pump IC, DIP8	
GAIN	B100K DUAL	16mm right-angle PCB mount pot	*Dual gang potentiometer
TREBLE	B10K	16mm right-angle PCB mount pot	
VOLUME	B10K	16mm right-angle PCB mount pot	
WDJD	ON/ON	Toggle switch, DPDT	2-position (ON/ON)

# NOTAKLICHE

Schematic Diagram





# NOTAKLICHE

Drill Template  
125B Enclosure

