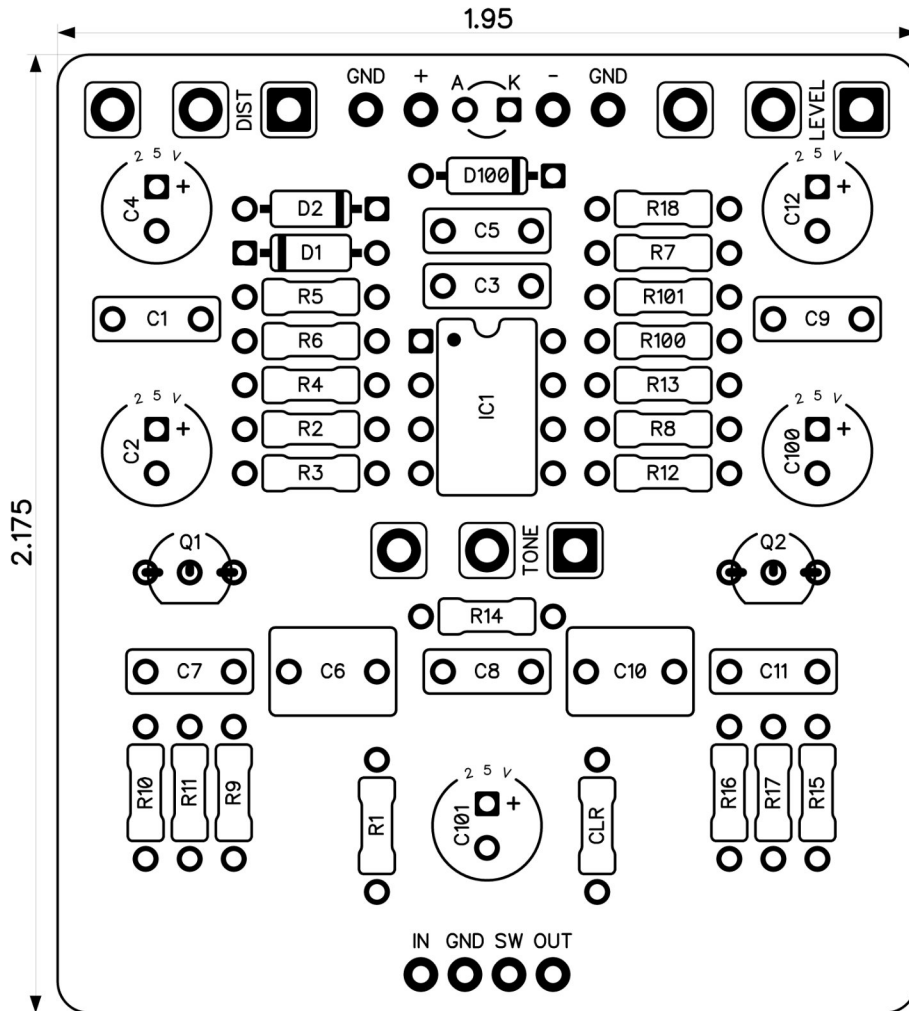


# PedalPCB

## Noise Tank Distortion

Revised 8/12/23



### CONTROLS AND FEATURES

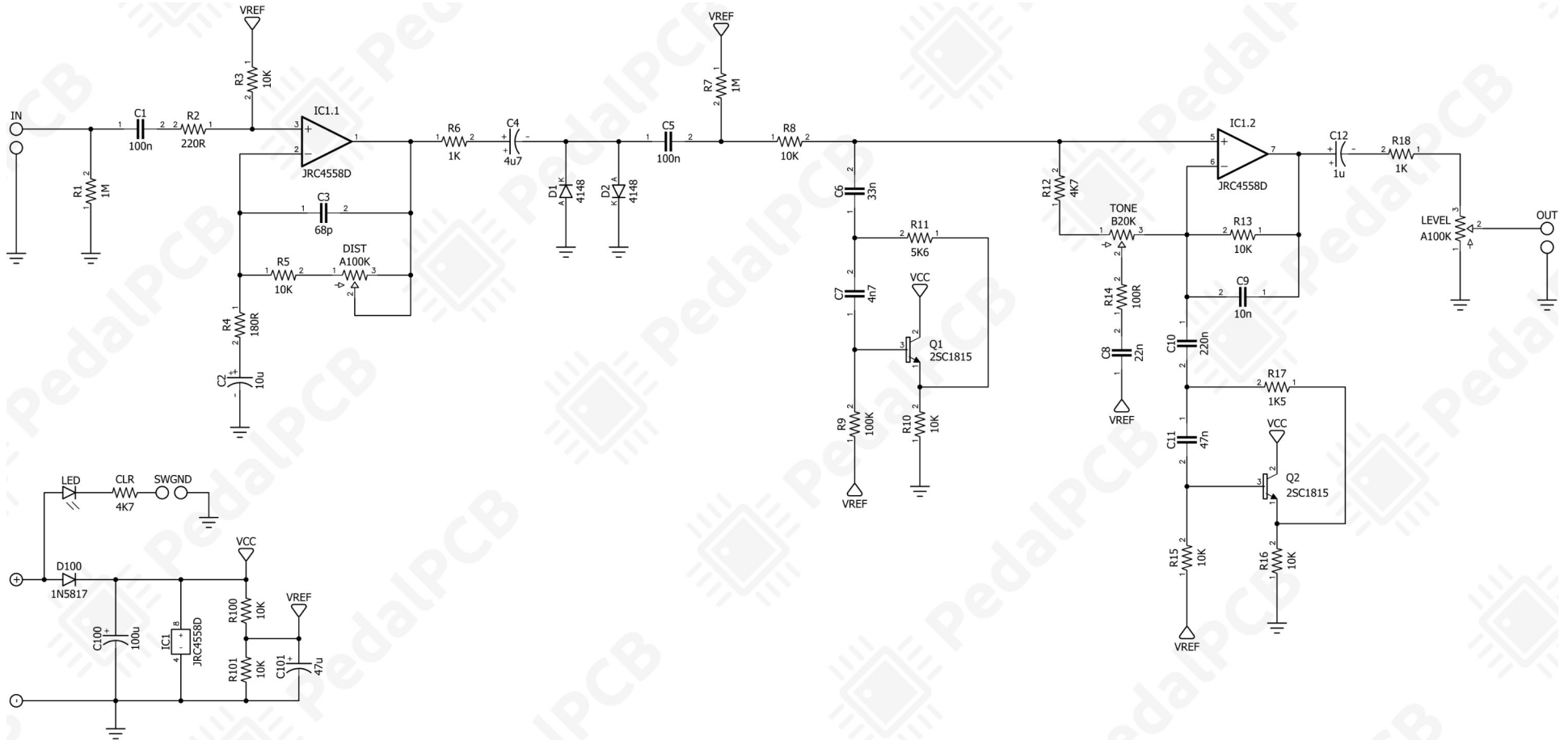
- Level
- Tone
- Distortion

All trademarks and registered trademarks are the property of their respective owners. The company, product, and service names used in this web site are for identification purposes only. Use of these names, logos, and brands does not imply endorsement.

LOCATION	VALUE	TYPE	NOTES
R1	1M	Resistor, 1/4W	
R2	220R	Resistor, 1/4W	
R3	10K	Resistor, 1/4W	
R4	180R	Resistor, 1/4W	
R5	10K	Resistor, 1/4W	
R6	1K	Resistor, 1/4W	
R7	1M	Resistor, 1/4W	
R8	10K	Resistor, 1/4W	
R9	100K	Resistor, 1/4W	
R10	10K	Resistor, 1/4W	
R11	5K6	Resistor, 1/4W	
R12	4K7	Resistor, 1/4W	
R13	10K	Resistor, 1/4W	
R14	100R	Resistor, 1/4W	
R15	10K	Resistor, 1/4W	
R16	10K	Resistor, 1/4W	
R17	1K5	Resistor, 1/4W	
R18	1K	Resistor, 1/4W	
R100	10K	Resistor, 1/4W	
R101	10K	Resistor, 1/4W	
CLR	4K7	Resistor, 1/4W	* LED current limiting resistor
C1	100n	Film capacitor, 7.2 x 2.5mm	
C2	10u	Electrolytic capacitor, 5mm	
C3	68p	Ceramic capacitor	
C4	4u7	Electrolytic capacitor, 5mm	
C5	100n	Film capacitor, 7.2 x 2.5mm	
C6	33n	Film capacitor, 7.2 x 2.5mm	
C7	4n7	Film capacitor, 7.2 x 2.5mm	
C8	22n	Film capacitor, 7.2 x 2.5mm	
C9	10n	Film capacitor, 7.2 x 2.5mm	
C10	220n	Film capacitor, 7.2 x 5.0mm	
C11	47n	Film capacitor, 7.2 x 2.5mm	
C12	1u	Electrolytic capacitor, 5mm	
C100	100u	Electrolytic capacitor, 5mm	
C101	47u	Electrolytic capacitor, 5mm	
D1	1N4148	Signal diode, DO-35	
D2	1N4148	Signal diode, DO-35	
D100	1N5817	Schottky diode, DO-41	
Q1	2SC1815	BJT transistor, NPN TO-92	
Q2	2SC1815	BJT transistor, NPN TO-92	
IC1	JRC4558D	Dual op-amp, DIP8	
LEVEL	A100K	16mm right-angle PCB mount pot	
TONE	B20K	16mm right-angle PCB mount pot	
DIST	A100K	16mm right-angle PCB mount pot	

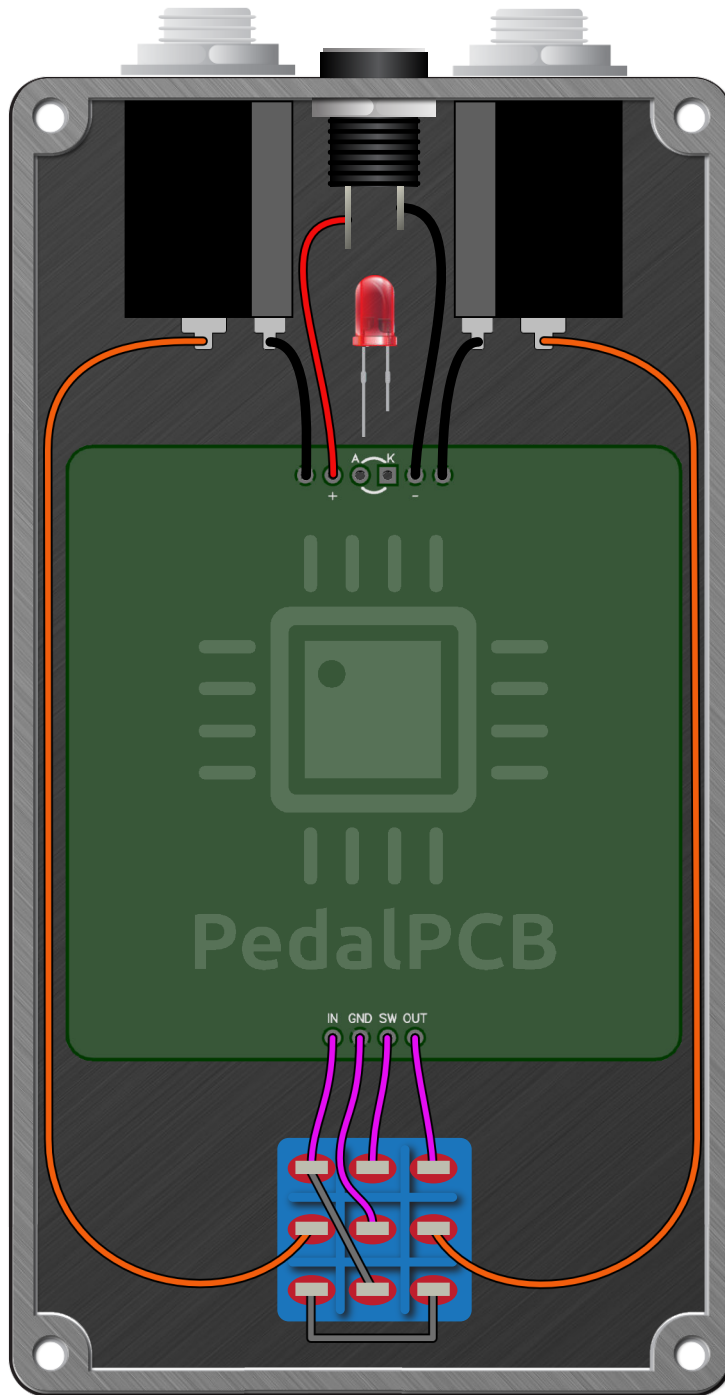
# Noise Tank Distortion

Schematic Diagram



# Noise Tank Distortion

## Wiring Diagram



# Noise Tank Distortion

Drill Template  
125B Enclosure

