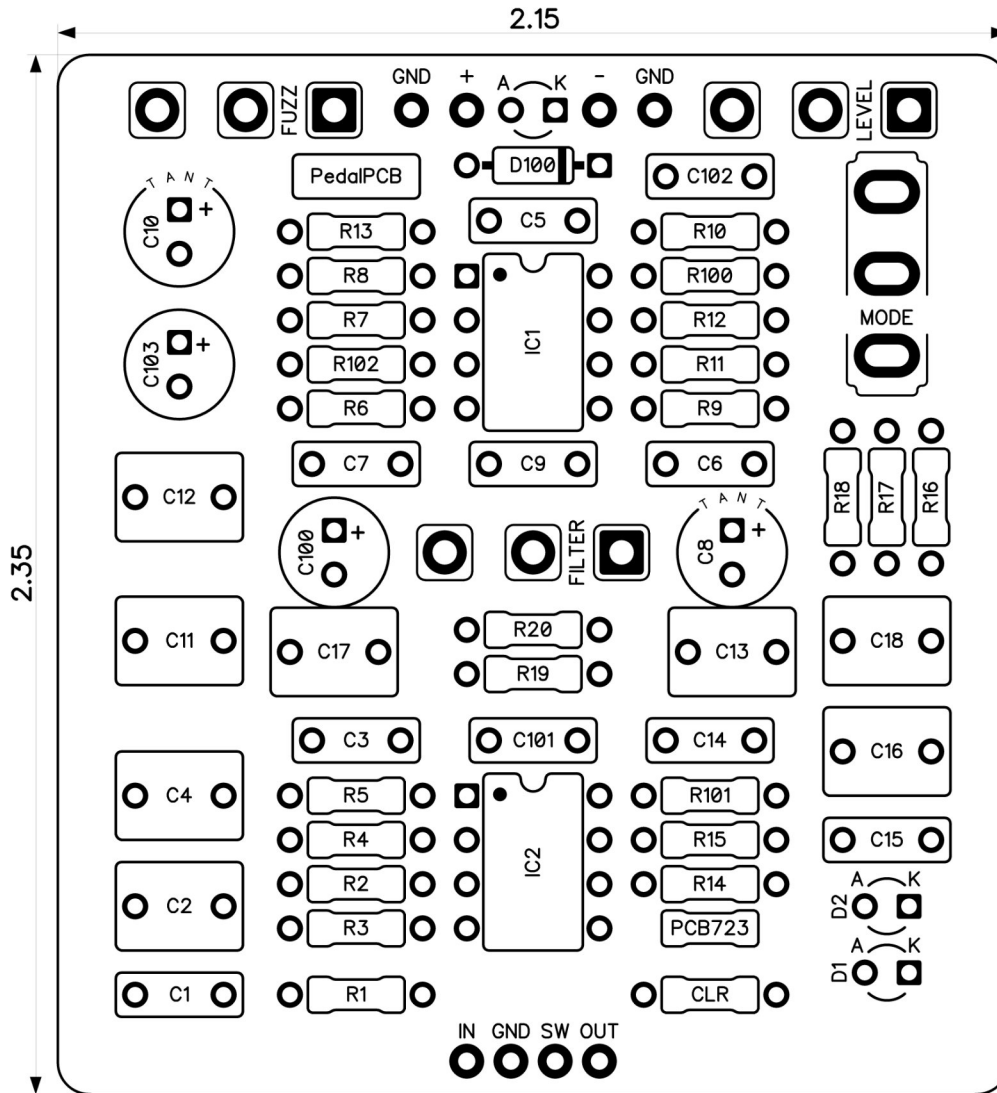




Noctis Fuzz

Revised 5/29/26



CONTROLS AND FEATURES

- Level
- Filter
- Fuzz
- Mode (Toggle switch)

All trademarks and registered trademarks are the property of their respective owners. The company, product, and service names used in this web site are for identification purposes only. Use of these names, logos, and brands does not imply endorsement.

LOCATION	VALUE	TYPE	NOTES
R1	1M	Resistor, 1/4W	
R2	1M	Resistor, 1/4W	
R3	1M	Resistor, 1/4W	
R4	10K	Resistor, 1/4W	
R5	56K	Resistor, 1/4W	
R6	22K	Resistor, 1/4W	
R7	22K	Resistor, 1/4W	
R8	10K	Resistor, 1/4W	
R9	47K	Resistor, 1/4W	
R10	56K	Resistor, 1/4W	
R11	56K	Resistor, 1/4W	
R12	330K	Resistor, 1/4W	
R13	220R	Resistor, 1/4W	
R14	8K2	Resistor, 1/4W	
R15	470K	Resistor, 1/4W	
R16	3K3	Resistor, 1/4W	
R17	27K	Resistor, 1/4W	
R18	1K5	Resistor, 1/4W	
R19	6K8	Resistor, 1/4W	
R20	5K6	Resistor, 1/4W	
R100	47R	Resistor, 1/4W	
R101	10K	Resistor, 1/4W	
R102	10K	Resistor, 1/4W	
CLR	4K7	Resistor, 1/4W	* LED current limiting resistor
C1	100n	Film capacitor, 7.2 x 2.5mm	
C2	1u	Film capacitor, 7.2 x 5.0mm	
C3	100p	Ceramic capacitor	
C4	1u	Film capacitor, 7.2 x 5.0mm	
C5	47p	Ceramic capacitor	
C6	10n	Film capacitor, 7.2 x 2.5mm	
C7	4n7	Film capacitor, 7.2 x 2.5mm	
C8	10u	Tantalum capacitor, 5mm	
C9	100p	Ceramic capacitor	
C10	10u	Tantalum capacitor, 5mm	
C11	1u	Film capacitor, 7.2 x 5.0mm	
C12	1u	Film capacitor, 7.2 x 5.0mm	
C13	150n	Film capacitor, 7.2 x 5.0mm	
C14	220p	Ceramic capacitor	
C15	100n	Film capacitor, 7.2 x 2.5mm	
C16	1u	Film capacitor, 7.2 x 5.0mm	
C17	150n	Film capacitor, 7.2 x 5.0mm	
C18	1u	Film capacitor, 7.2 x 5.0mm	
C100	100u	Electrolytic capacitor, 5mm	
C101	100n	Film capacitor, 7.2 x 2.5mm	
C102	100n	Film capacitor, 7.2 x 2.5mm	
C103	100u	Electrolytic capacitor, 5mm	
D1	RED	3mm Red LED, Diffused	
D2	RED	3mm Red LED, Diffused	
D100	1N5817	Schottky diode, DO-41	
IC1	MC33178	Dual op-amp, DIP8	[Link]
IC2	MC33178	Dual op-amp, DIP8	
LEVEL	B100K	16mm right-angle PCB mount pot	
FILTER	B10K	16mm right-angle PCB mount pot	
FUZZ	B10K	16mm right-angle PCB mount pot	
MODE	ON/OFF/ON	Toggle switch, SPDT	3-position (ON/OFF/ON)

