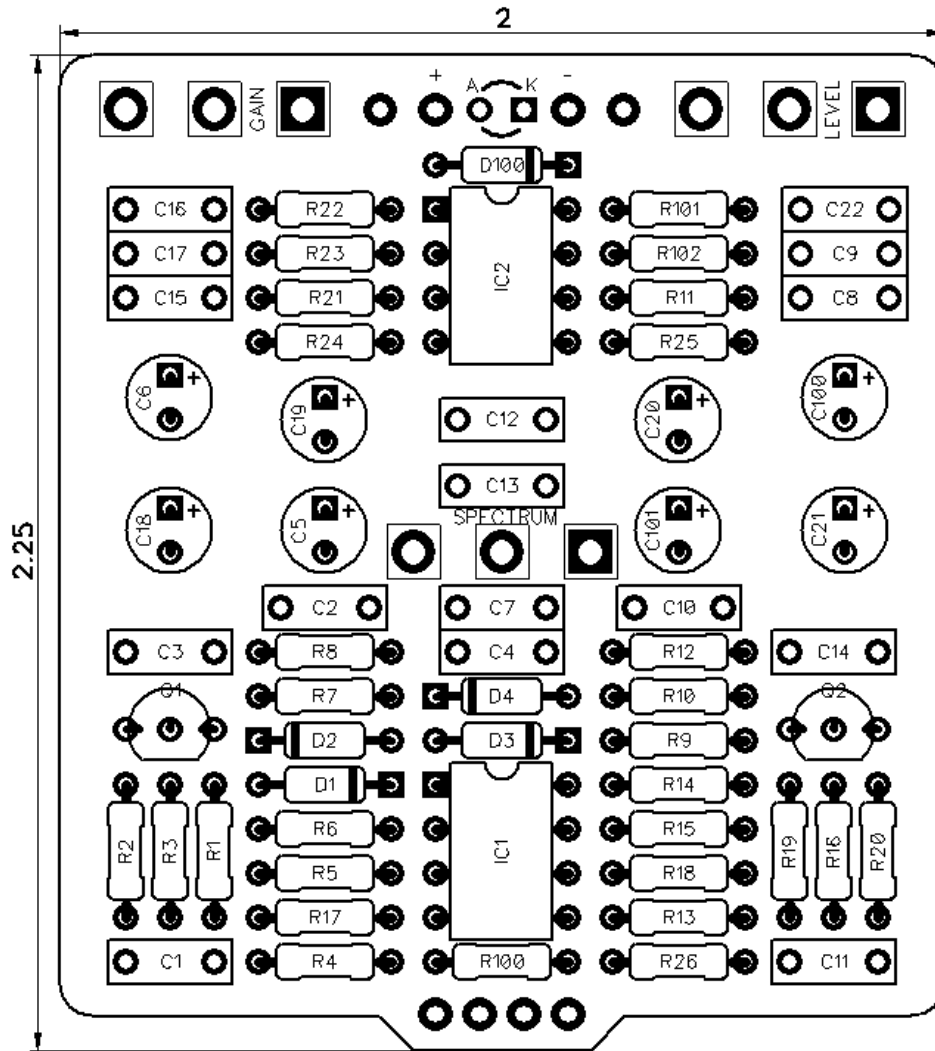


# PedalPCB

## Nobleman Overdrive

Revision 12.28.19



### Controls

- Level
- Gain
- Spectrum

All trademarks and registered trademarks are the property of their respective owners. The company, product, and service names used in this web site are for identification purposes only. Use of these names, logos, and brands does not imply endorsement.

**RESISTORS (1/4W)**

R1 33K  
R2 1M  
R3 3K3  
R4 2K7  
R5 10K  
R6 1K8  
R7 1K5  
R8 820R  
R9 12K  
R10 39K  
R11 12K  
R12 10K  
R13 43K  
R14 5K1  
R15 20K  
R16 150K  
R17 1K2  
R18 10K  
R19 3K3  
R20 2K2  
R21 4K7  
R22 22K  
R23 5K1  
R24 1K2  
R25 150K  
R26 150K  
R100 4K7  
R101 15K  
R102 15K

**CAPACITORS**

C1 100n  
C2 22n  
C3 120p  
C4 82n  
C5 2u2  
C6 2u2  
C7 2n7  
C8 82n  
C9 1n  
C10 22n  
C11 560p  
C12 27n  
C13 100n  
C14 8n2  
C15 8n2  
C16 4n7  
C17 82n  
C18 1u  
C19 2u2  
C20 1u  
C21 3u3  
C22 100n  
C100 100u  
C101 47u

**INTEGRATED CIRCUITS**

IC1 JRC4558D  
IC2 JRC4558D

**TRANSISTORS**

Q1 2N5457  
Q2 2N5088

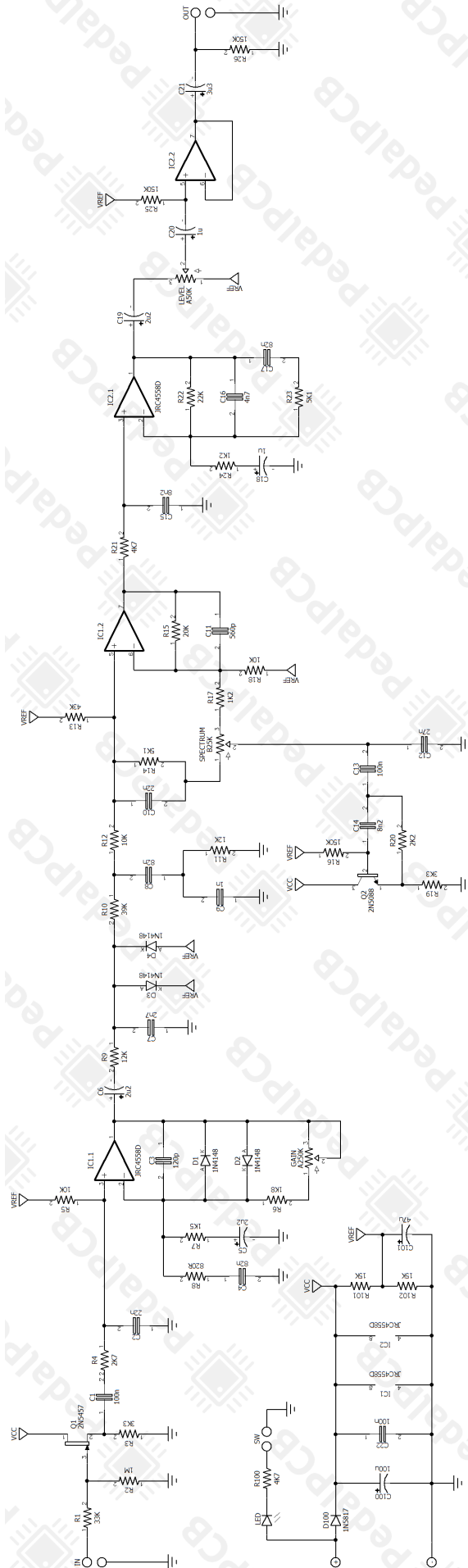
**DIODES**

D1 1N4148  
D2 1N4148  
D3 1N4148  
D4 1N4148  
D100 1N5817

**POTENTIOMETERS**

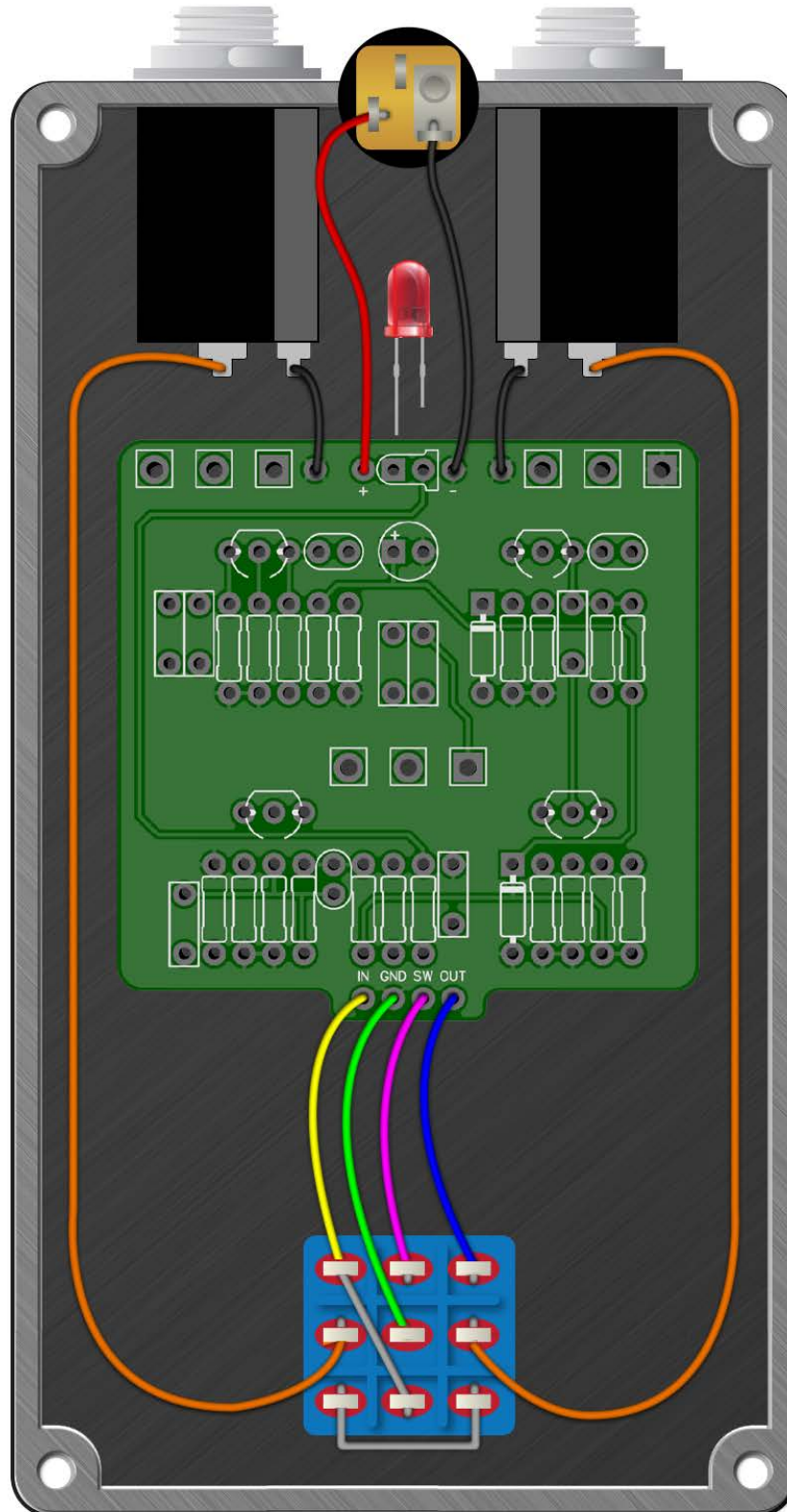
LEVEL A50K  
GAIN A250K  
SPECTRUM B25K

# Nobleman Overdrive



# Nobleman Overdrive

Wiring Diagram



# Nobleman Overdrive

Drill Template  
125B Enclosure

