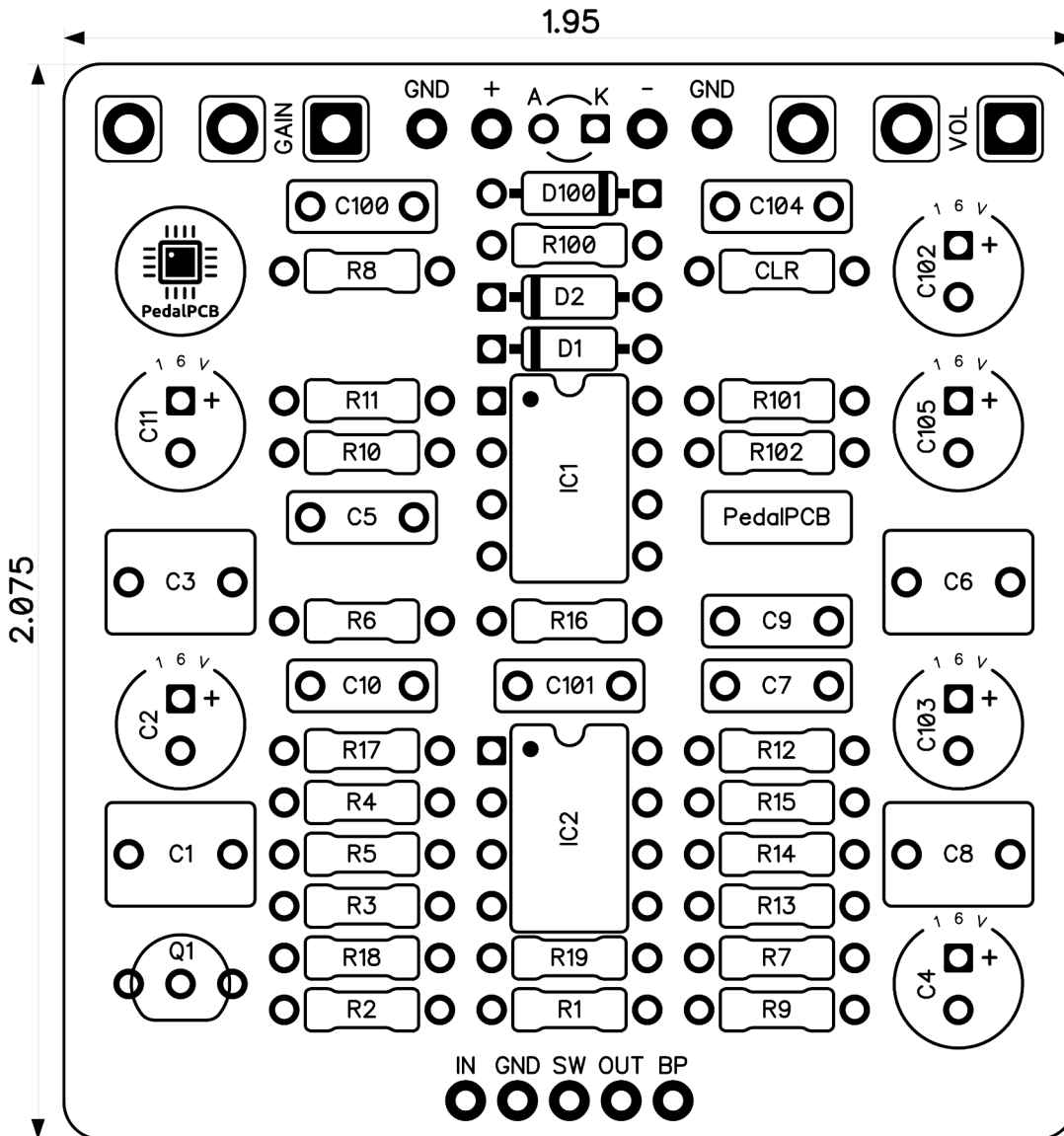


# PedalPCB

## Nivel Overdrive

Revised 1/2/24



### CONTROLS AND FEATURES

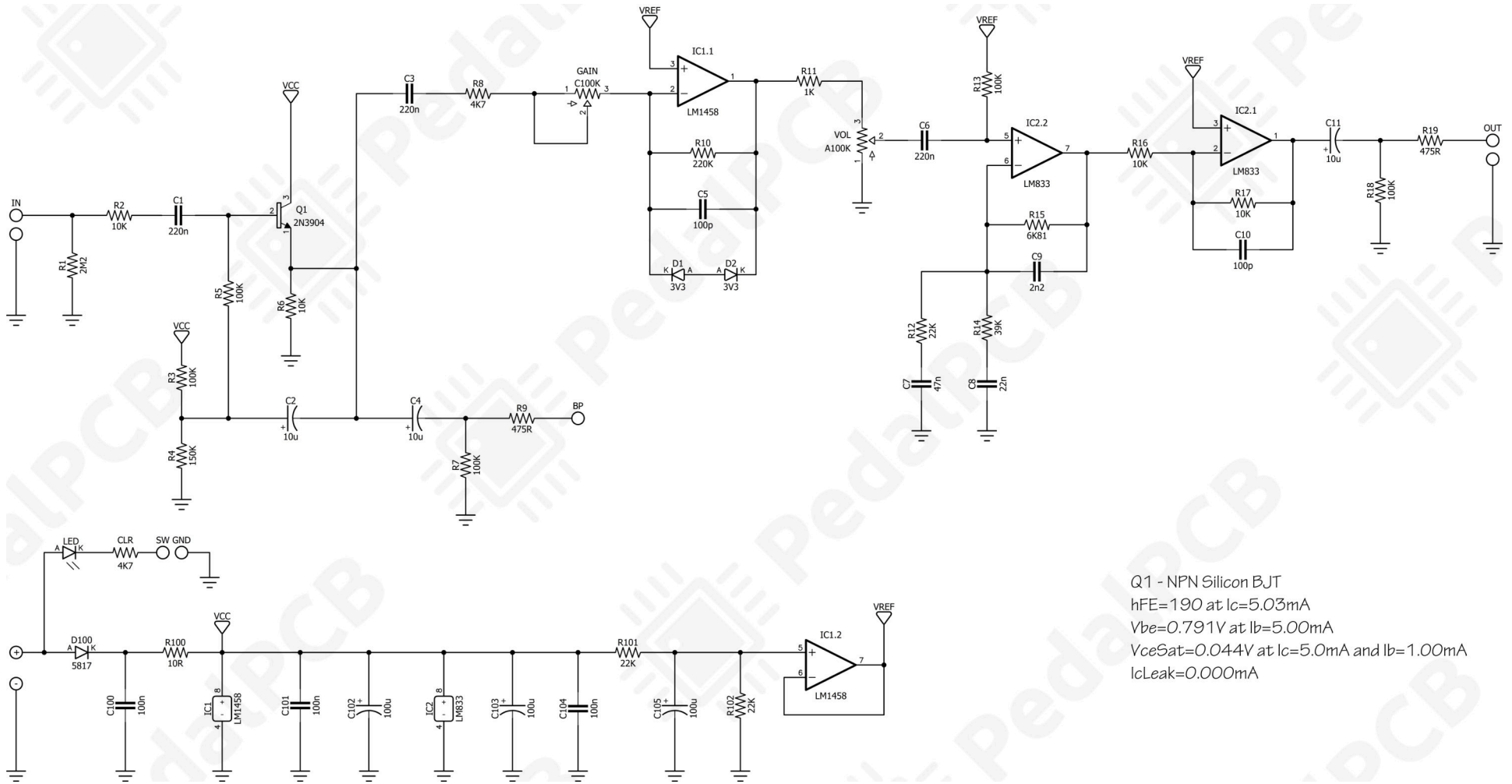
- Volume
- Gain

All trademarks and registered trademarks are the property of their respective owners. The company, product, and service names used in this web site are for identification purposes only. Use of these names, logos, and brands does not imply endorsement.

LOCATION	VALUE	TYPE	NOTES
R1	2M2	Resistor, 1/4W	
R2	10K	Resistor, 1/4W	
R3	100K	Resistor, 1/4W	
R4	150K	Resistor, 1/4W	
R5	100K	Resistor, 1/4W	
R6	10K	Resistor, 1/4W	
R7	100K	Resistor, 1/4W	
R8	4K7	Resistor, 1/4W	
R9	475R	Resistor, 1/4W	
R10	220K	Resistor, 1/4W	
R11	1K	Resistor, 1/4W	
R12	22K	Resistor, 1/4W	
R13	100K	Resistor, 1/4W	
R14	39K	Resistor, 1/4W	
R15	6K81	Resistor, 1/4W	
R16	10K	Resistor, 1/4W	
R17	10K	Resistor, 1/4W	
R18	100K	Resistor, 1/4W	
R19	475R	Resistor, 1/4W	
R100	10R	Resistor, 1/4W	
R101	22K	Resistor, 1/4W	
R102	22K	Resistor, 1/4W	
CLR	4K7	Resistor, 1/4W	* LED current limiting resistor
C1	220n	Film capacitor, 7.2 x 5.0mm	
C2	10u	Electrolytic capacitor, 5mm	
C3	220n	Film capacitor, 7.2 x 5.0mm	
C4	10u	Electrolytic capacitor, 5mm	
C5	100p	Ceramic capacitor	
C6	220n	Film capacitor, 7.2 x 5.0mm	
C7	47n	Film capacitor, 7.2 x 2.5mm	
C8	22n	Film capacitor, 7.2 x 2.5mm	
C9	2n2	Film capacitor, 7.2 x 2.5mm	
C10	100p	Ceramic capacitor	
C11	10u	Electrolytic capacitor, 5mm	
C100	100n	Film capacitor, 7.2 x 2.5mm	
C101	100n	Film capacitor, 7.2 x 2.5mm	
C102	100u	Electrolytic capacitor, 5mm	
C103	100u	Electrolytic capacitor, 5mm	
C104	100n	Film capacitor, 7.2 x 2.5mm	
C105	100u	Electrolytic capacitor, 5mm	
D1	3V3	Zener diode 1/2W, 3.3V	
D2	3V3	Zener diode 1/2W, 3.3V	
D100	1N5817	Schottky diode, DO-41	
Q1	2N3904	BJT transistor, NPN TO-92	
IC1	LM1458	Dual op-amp, DIP8	
IC2	LM833	Dual op-amp, DIP8	
VOL	A100K	16mm right-angle PCB mount pot	
GAIN	C100K	16mm right-angle PCB mount pot	

# Nivel Overdrive

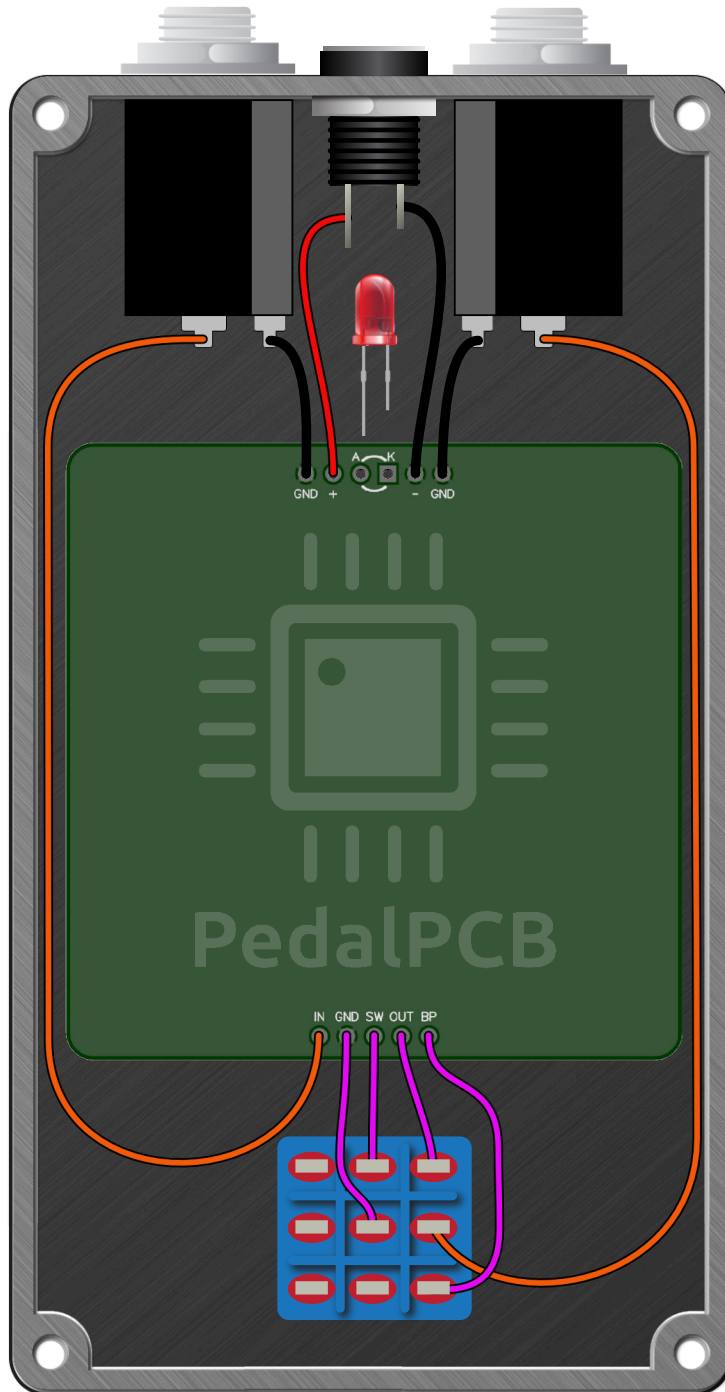
## Schematic Diagram



Q1 - NPN Silicon BJT  
 $hFE=190$  at  $I_c=5.03mA$   
 $V_{be}=0.791V$  at  $I_b=5.00mA$   
 $V_{ceSat}=0.044V$  at  $I_c=5.0mA$  and  $I_b=1.00mA$   
 $I_{cLeak}=0.000mA$

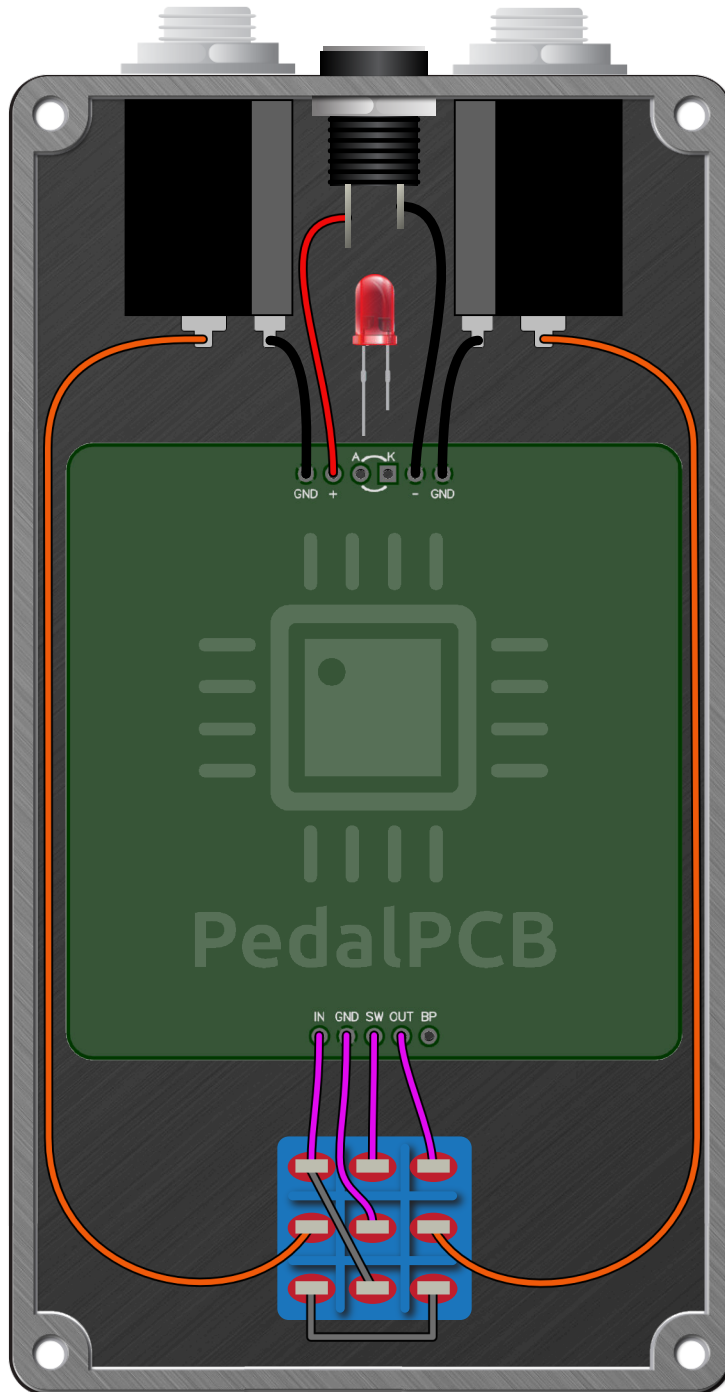
# Nivel Overdrive

Wiring Diagram - Buffered Bypass (Stock)



# Nivel Overdrive

Wiring Diagram - True-Bypass Modification



# Nivel Overdrive

Drill Template  
125B Enclosure

