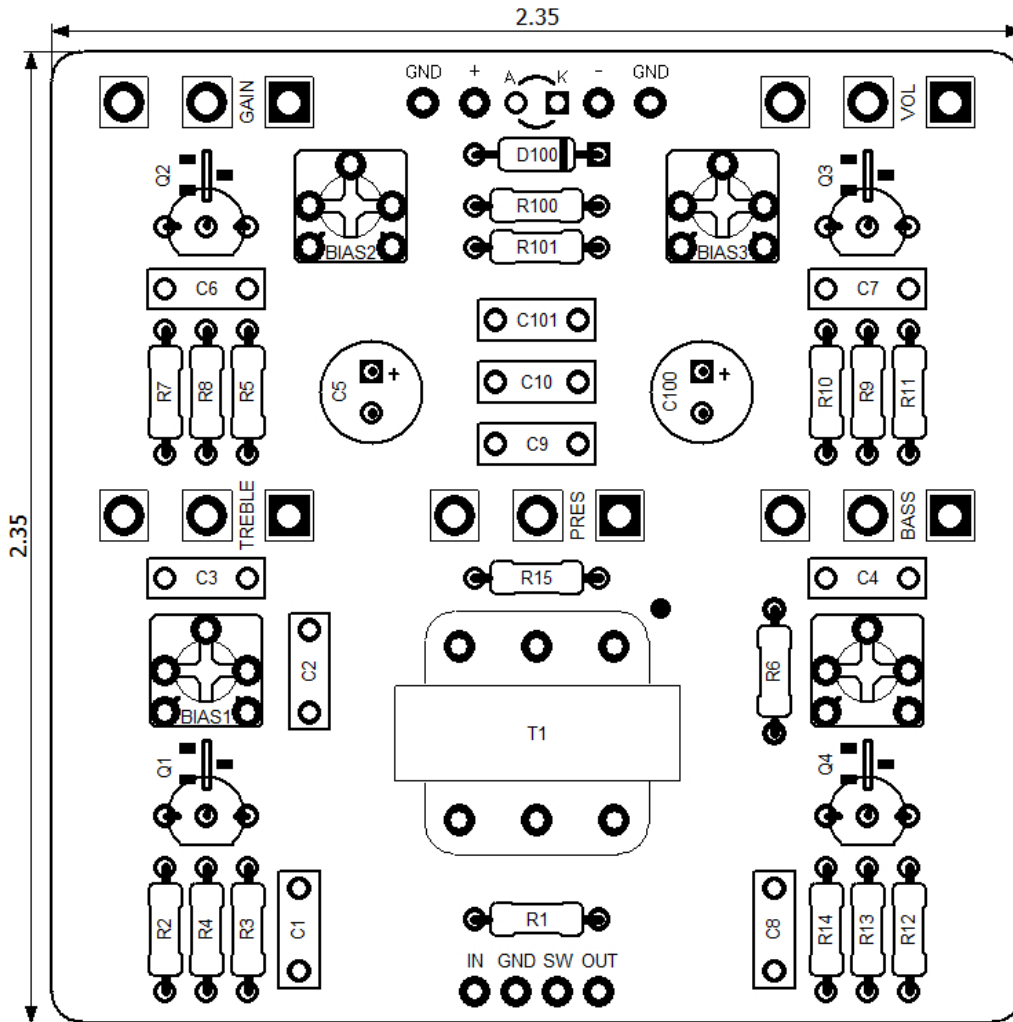


# PedalPCB

## Neurocyton Preamp

Revised 1/7/22



### CONTROLS AND FEATURES

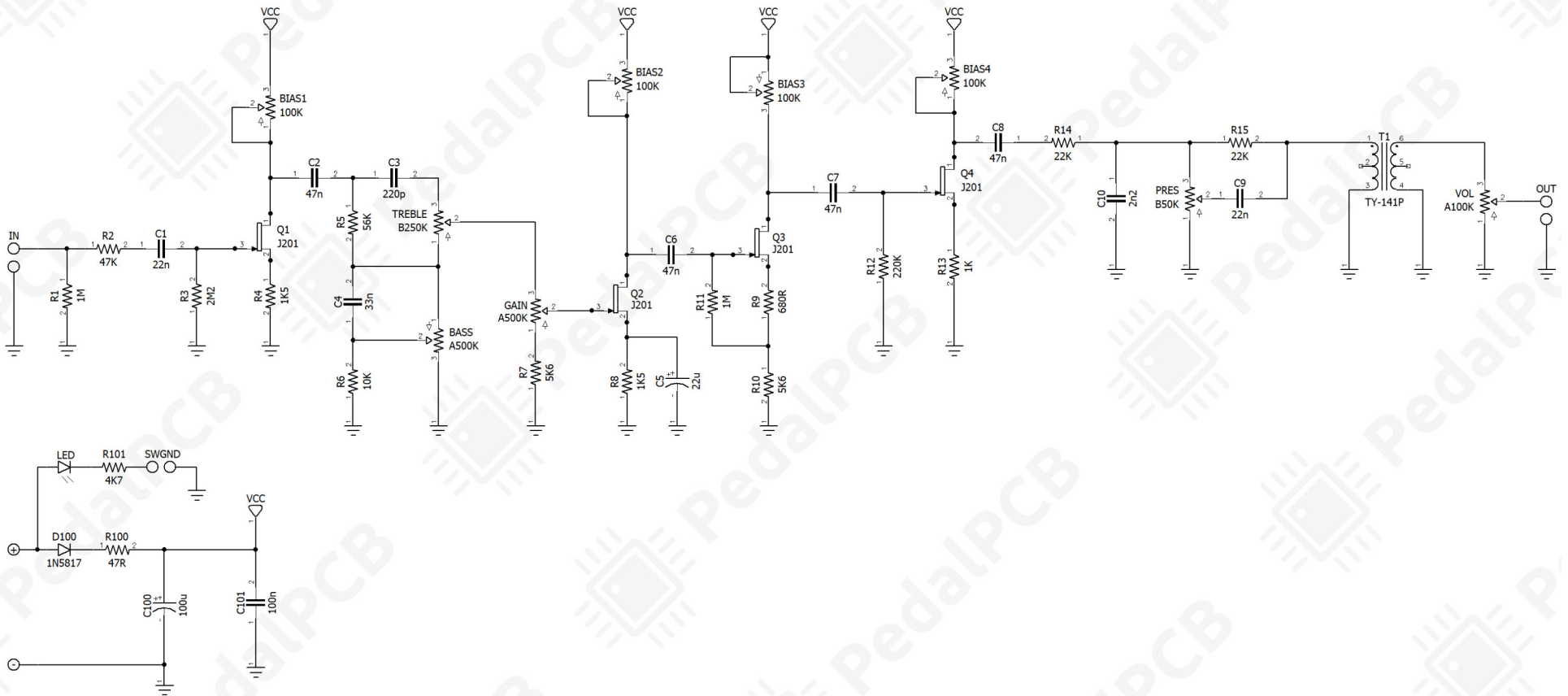
- Volume
- Gain
- Bass
- Presence
- Treble

All trademarks and registered trademarks are the property of their respective owners. The company, product, and service names used in this web site are for identification purposes only. Use of these names, logos, and brands does not imply endorsement.

LOCATION	VALUE	TYPE	NOTES
R1	1M	Resistor, 1/4W	
R2	47K	Resistor, 1/4W	
R3	2M2	Resistor, 1/4W	
R4	1K5	Resistor, 1/4W	
R5	56K	Resistor, 1/4W	
R6	10K	Resistor, 1/4W	
R7	5K6	Resistor, 1/4W	
R8	1K5	Resistor, 1/4W	
R9	680R	Resistor, 1/4W	
R10	5K6	Resistor, 1/4W	
R11	1M	Resistor, 1/4W	
R12	220K	Resistor, 1/4W	
R13	1K	Resistor, 1/4W	
R14	22K	Resistor, 1/4W	
R15	22K	Resistor, 1/4W	
R100	47R	Resistor, 1/4W	
R101	4K7	Resistor, 1/4W	
C1	22n	Film capacitor, 7.2 x 2.5mm	
C2	47n	Film capacitor, 7.2 x 2.5mm	
C3	220p	Ceramic capacitor	
C4	33n	Film capacitor, 7.2 x 2.5mm	
C5	22u	Electrolytic capacitor, 5mm	
C6	47n	Film capacitor, 7.2 x 2.5mm	
C7	47n	Film capacitor, 7.2 x 2.5mm	
C8	47n	Film capacitor, 7.2 x 2.5mm	
C9	22n	Film capacitor, 7.2 x 2.5mm	
C10	2n2	Film capacitor, 7.2 x 2.5mm	
C100	100u	Electrolytic capacitor, 5mm	
C101	100n	Film capacitor, 7.2 x 2.5mm	
D100	1N5817	Schottky diode, DO-41	
Q1	J201	JFET transistor, N-channel	*Alternate MMBFJ201
Q2	J201	JFET transistor, N-channel	*Alternate MMBFJ201
Q3	J201	JFET transistor, N-channel	*Alternate MMBFJ201
Q4	J201	JFET transistor, N-channel	*Alternate MMBFJ201
T1	TY-141P	Audio Transformer	10KCT:10KCT
BIAS1 - BIAS4	100K	Trimmer potentiometer, 3362P type	
VOL	A100K	16mm right-angle PCB mount pot	
GAIN	A500K	16mm right-angle PCB mount pot	
BASS	A500K	16mm right-angle PCB mount pot	
PRES	B50K	16mm right-angle PCB mount pot	
TREBLE	B250K	16mm right-angle PCB mount pot	

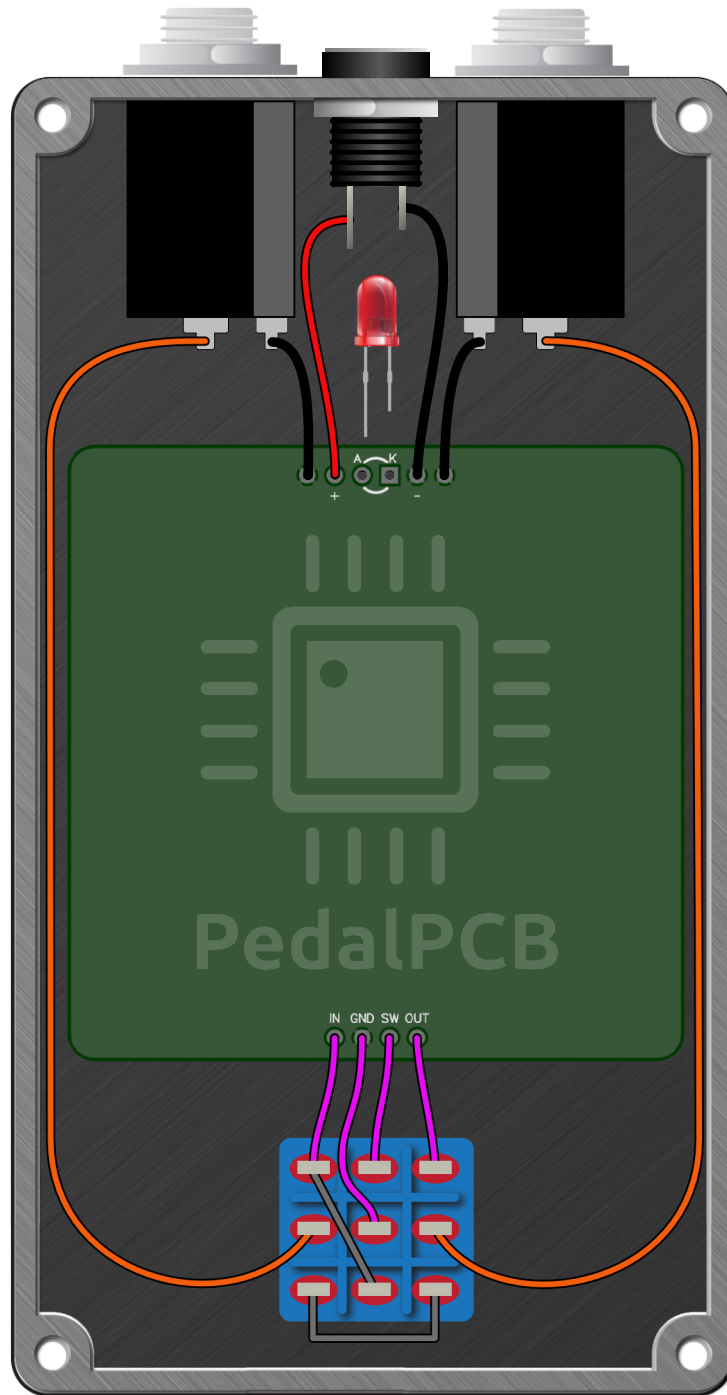
# Neurocyton Preamp

Schematic Diagram



# Neurocyton Preamp

Wiring Diagram



# Neurocyton Preamp

Drill Template  
125B Enclosure

