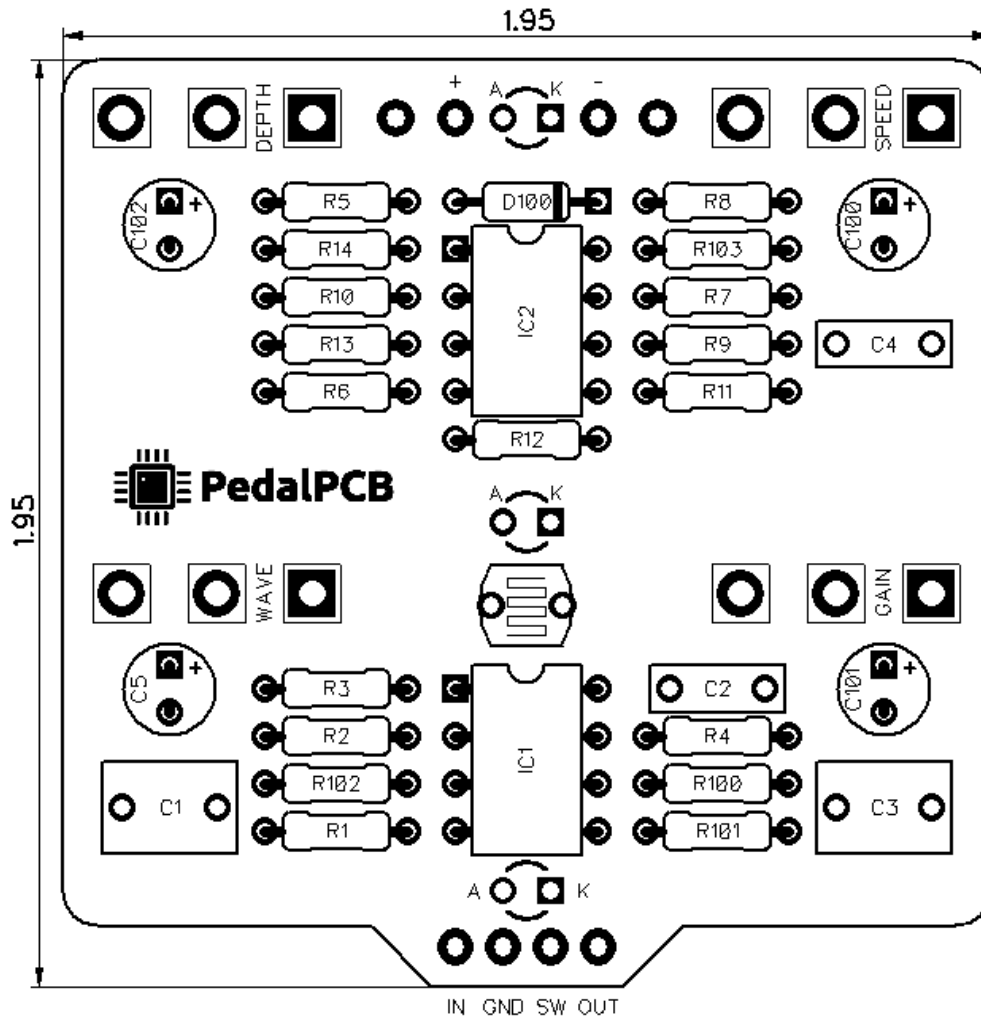


# PedalPCB

## Moonshot Tremolo

Revision 05.05.20



### Controls

- Speed
- Depth
- Gain
- Wave

All trademarks and registered trademarks are the property of their respective owners. The company, product, and service names used in this web site are for identification purposes only. Use of these names, logos, and brands does not imply endorsement.

# Moonshot Tremolo

## Parts List

### RESISTORS (1/4W)

R1	1M
R2	220K
R3	220K
R4	10K
R5	220K
R6	220K
R7	220K
R8	2K2
R9	220K
R10	470R
R11	1K
R12	1K
R13	1K
R14	1K
R100	4K7
R101	100K
R102	100K
R103	100R

### CAPACITORS

C1	1u FILM
C2	330p
C3	1u FILM
C4	10n
C5	10u
C100	100u
C101	47u
C102	47u

### INTEGRATED CIRCUITS

IC1	TL072
IC2	JRC4558

### DIODES

D1	3mm Red LED
D100	1N5817

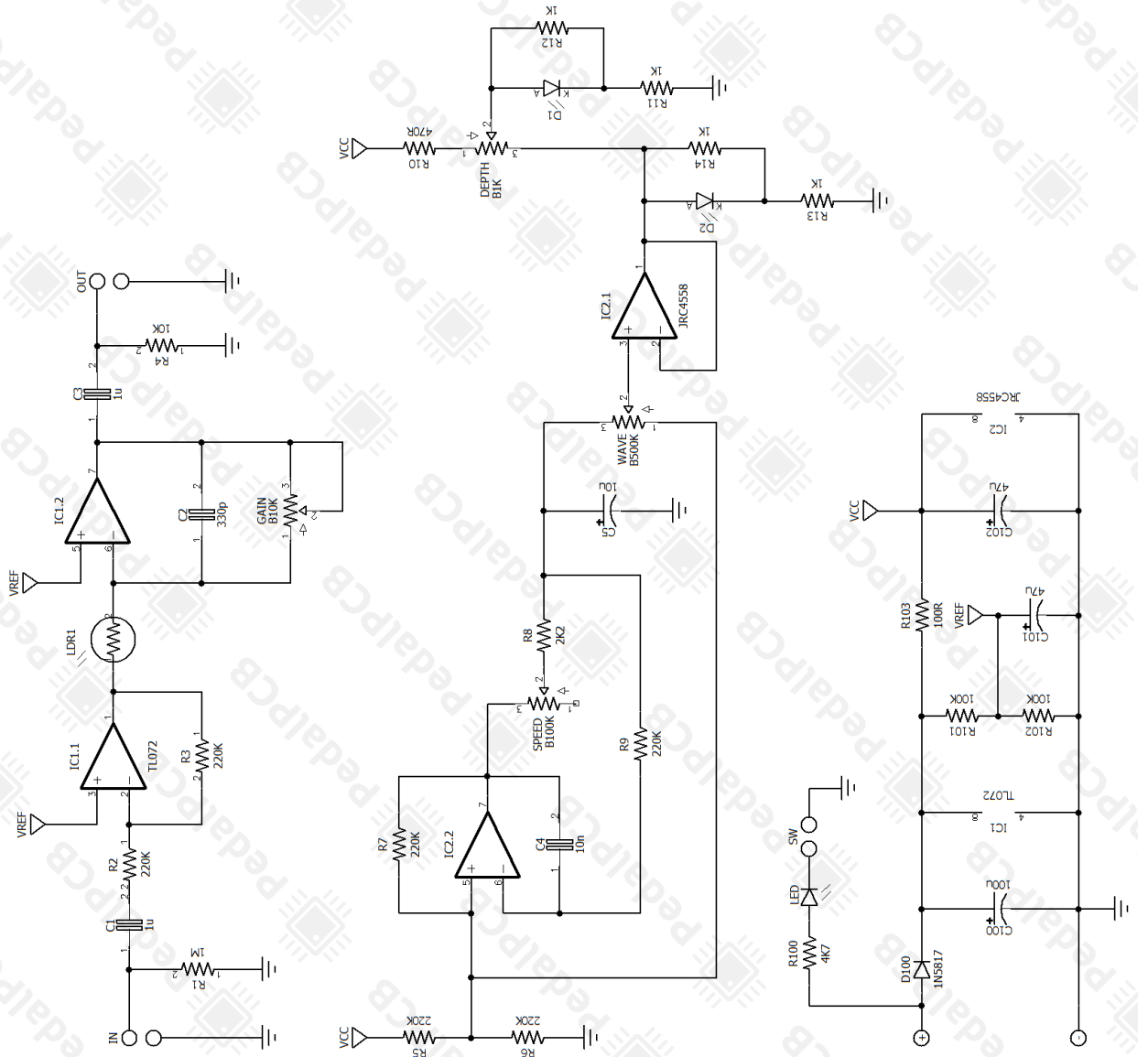
### POTENTIOMETERS

SPEED	B100K
DEPTH	B1K
WAVE	B500K
GAIN	B10K

### OPTICAL

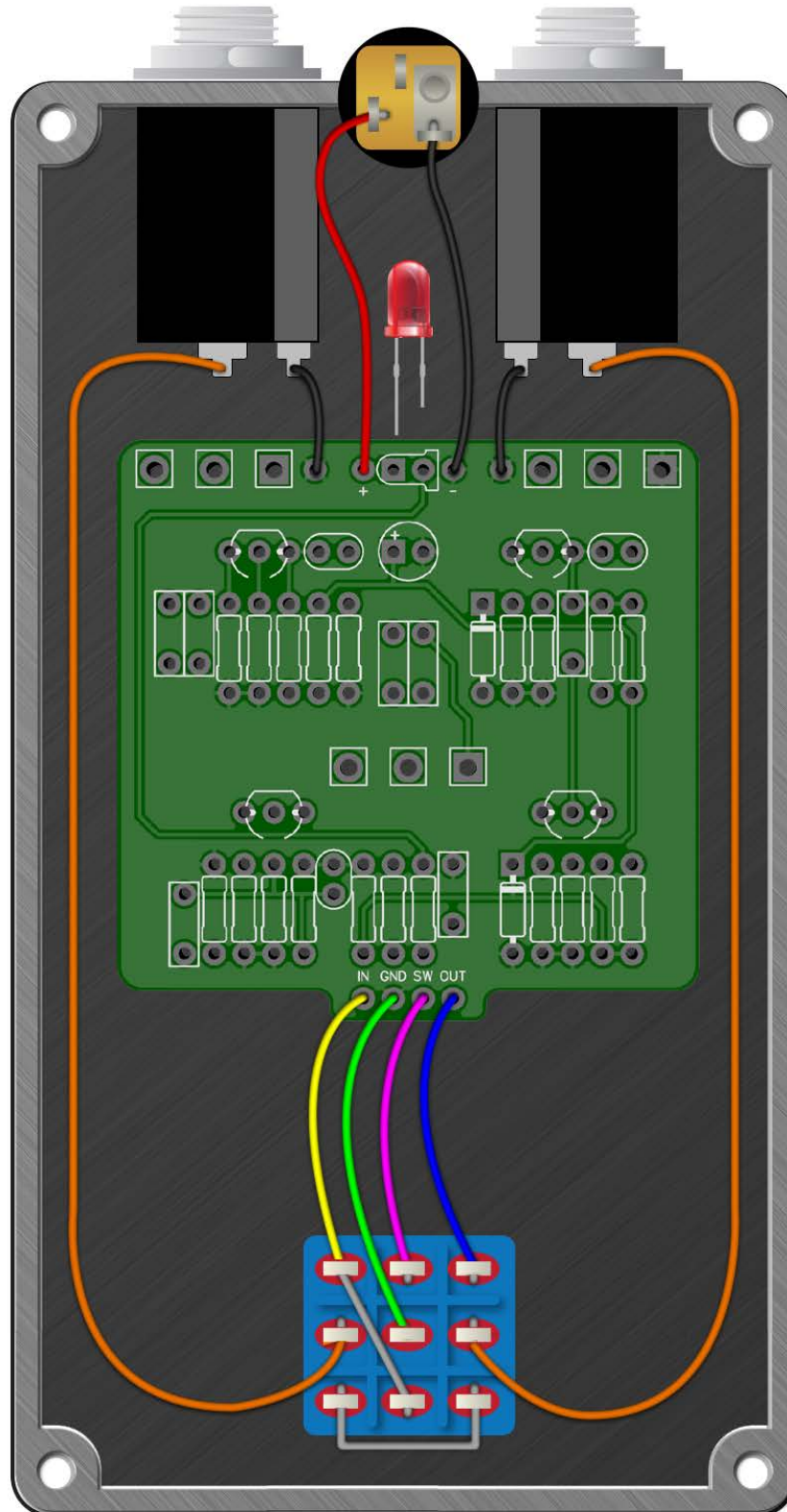
LDR1	GL5516 LDR
------	------------

# Moonshot Tremolo



# Moonshot Tremolo

Wiring Diagram



# Moonshot Tremolo

Drill Template  
125B Enclosure

