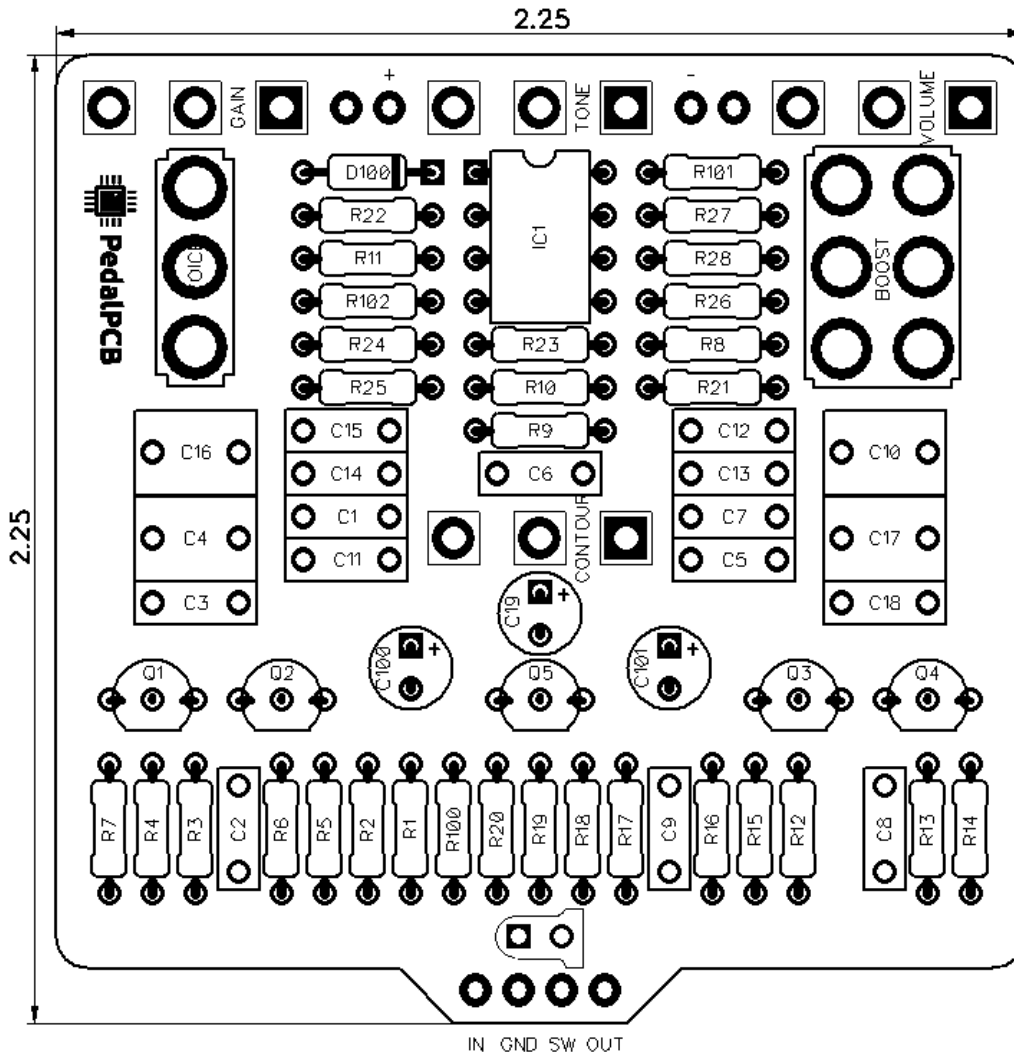




# PedalPCB

## Monarch Distortion

Revision 07.08.18



### Controls

- **Volume** - Sets the overall output volume
- **Tone** - Controls the warmth / brightness
- **Gain** - Adjusts level of distortion
- **Contour** - Adjusts midrange frequencies
- **Voice (toggle switch)** - Toggles between Vintage / Modern voice
- **Boost (toggle switch)** - Toggles between Standard / Boost modes

All trademarks and registered trademarks are the property of their respective owners. The company, product, and service names used in this web site are for identification purposes only. Use of these names, logos, and brands does not imply endorsement.

# Monarch Distortion

## Parts List

### RESISTORS

R1 1K  
R2 1M  
R3 1M  
R4 10K  
R5 1M  
R6 1M  
R7 1K  
R8 1M  
R9 1M  
R10 220K  
R11 4K7  
R12 15K  
R13 1M  
R14 1M  
R15 1K  
R16 1M  
R17 47K  
R18 100K  
R19 2K2  
R20 27K  
R21 33K  
R22 68K  
R23 10K  
R24 10K  
R25 47K  
R26 1M  
R27 100K  
R28 33K  
R100 10K  
R101 10K  
R102 10K

### CAPACITORS

C1 680p  
C2 47n  
C3 56n  
C4 1u  
C5 22n  
C6 51p  
C7 220p  
C8 220n  
C9 22n  
C10 1u  
C11 10n  
C12 10n  
C13 4n7  
C14 33n  
C15 3n3  
C16 1u  
C17 1u  
C18 51p  
C19 10u  
C100 220u  
C101 100u

### TRANSISTORS

Q1 J201  
Q2 J201  
Q3 J201  
Q4 J201  
Q5 J201

### INTEGRATED CIRCUITS

IC1 JRC4580D

### DIODES

D100 1N5817

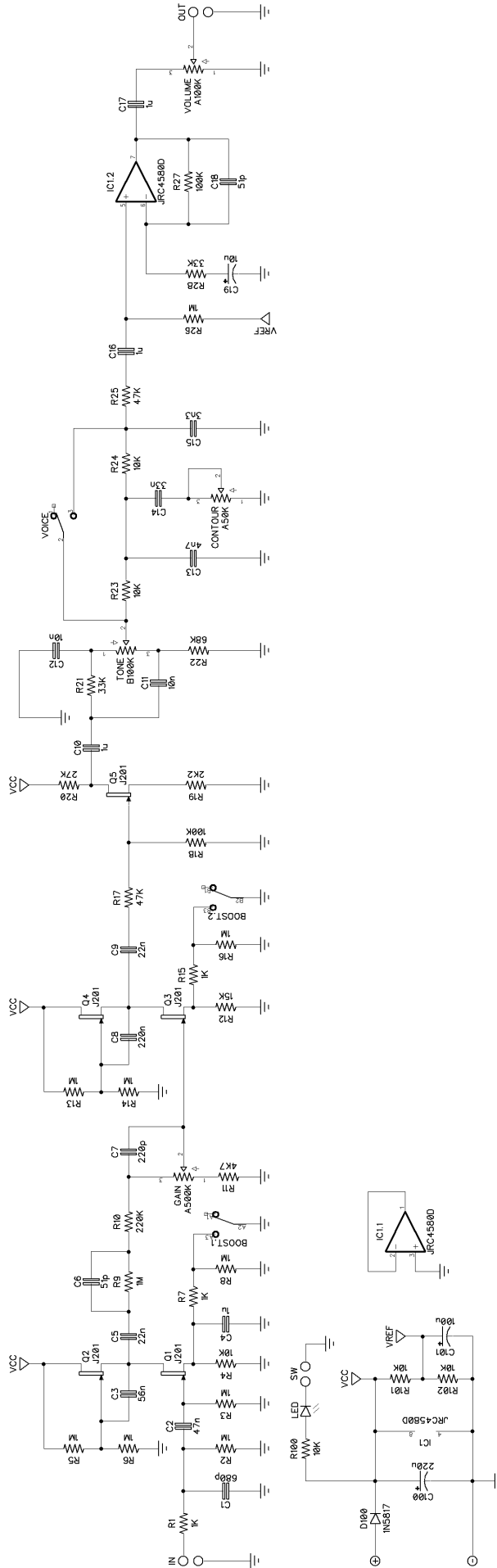
### POTENTIOMETERS

VOLUME A100K  
TONE B100K  
GAIN A500K  
CONTOUR A50K

### SWITCHES

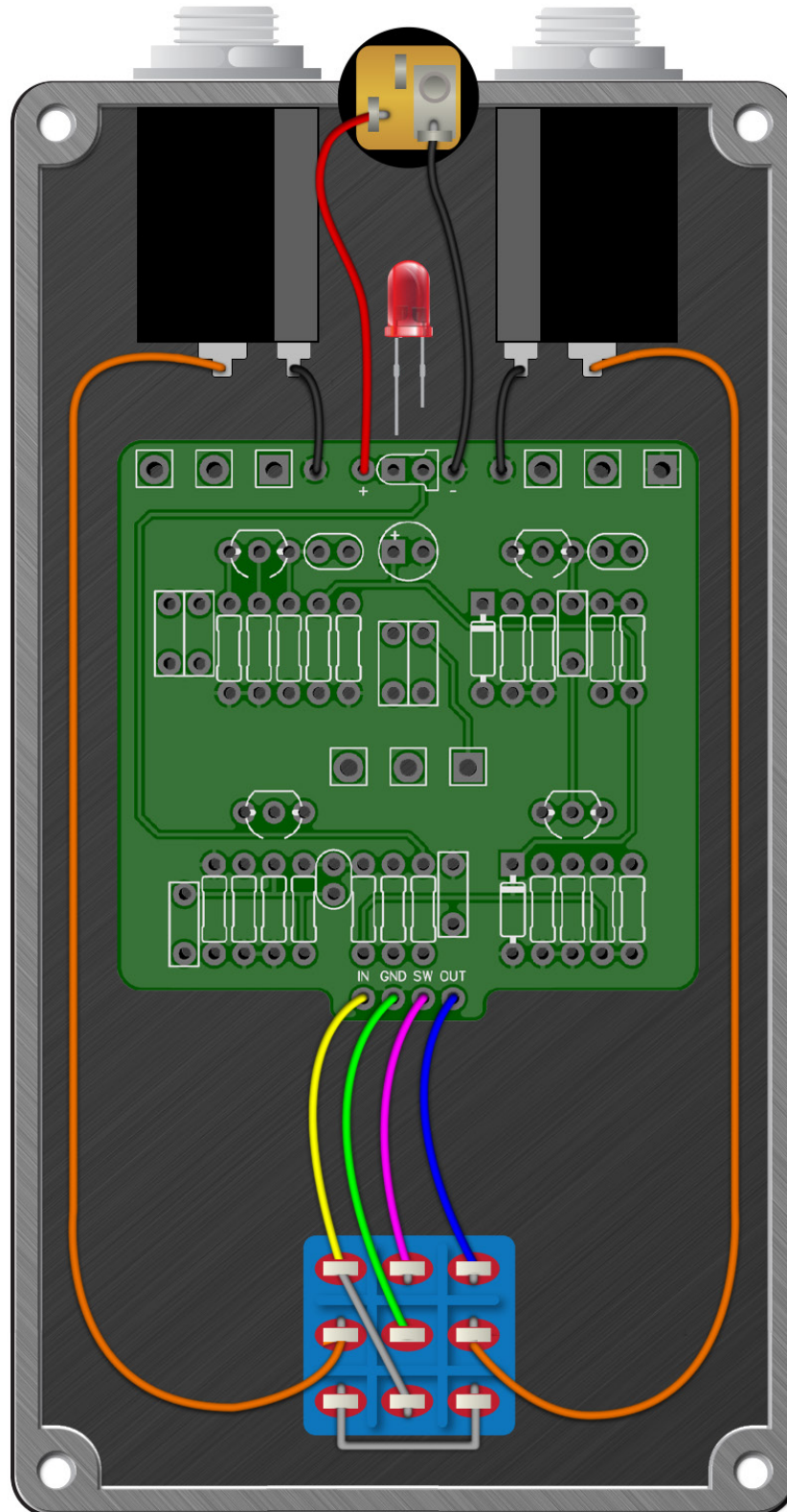
VOICE SPDT Toggle  
(On/On)  
  
BOOST DPDT Toggle  
(On/On)

# Monarch Distortion



# Monarch Distortion

Wiring Diagram



# Monarch Distortion

Drill Template  
125B enclosure with top mounted jacks

