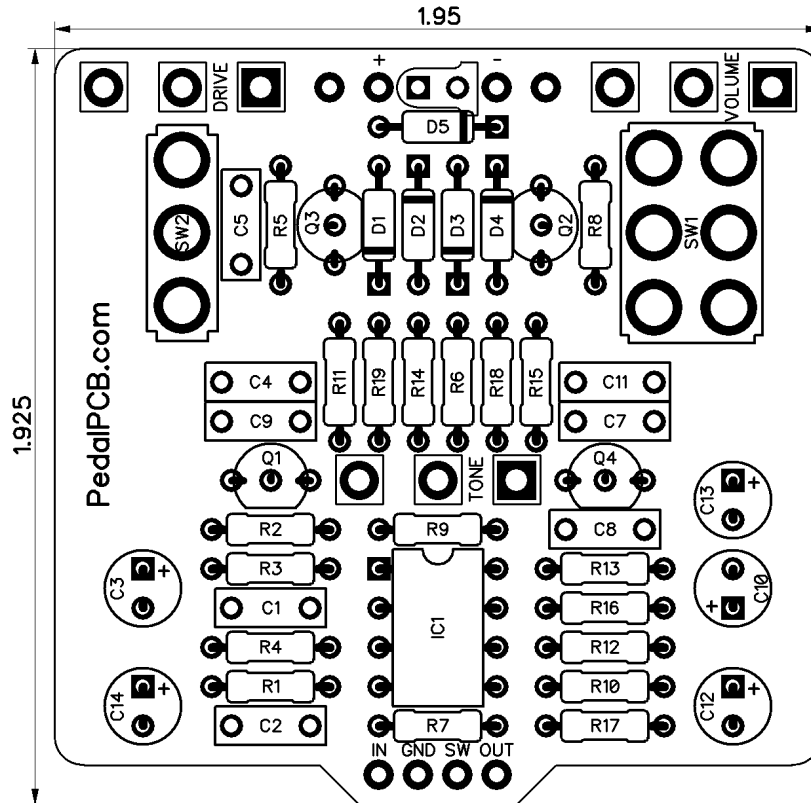


PedalPCB.com

Mini-Drive

Revision 11.04.17



Resistors

R1	1M
R2	1M
R3	10K
R4	10K
R5	22K
R6	4K7
R7	4K7
R8	150K
R9	1K
R10	10K
R11	220
R12	1K
R13	1K
R14	510K
R15	10K
R16	100
R17	82K
R18	10K
R19	10K

Capacitors

C1	10pF
C2	22nF
C3	1uF
C4	51pF
C5	47nF
C7	10nF
C8	220nF
C9	220nF
C10	1uF
C11	100nF
C12	10uF
C13	100uF
C14	100uF

Semiconductors

IC1	JRC4558
Q1	2SC1815
Q2	2N7000
Q3	2N7000
Q4	2SC1815
D1	1N4005
D2	1N34A
D3	1N4005
D4	1N4005
D5	1N5817

LED 3mm

Switches

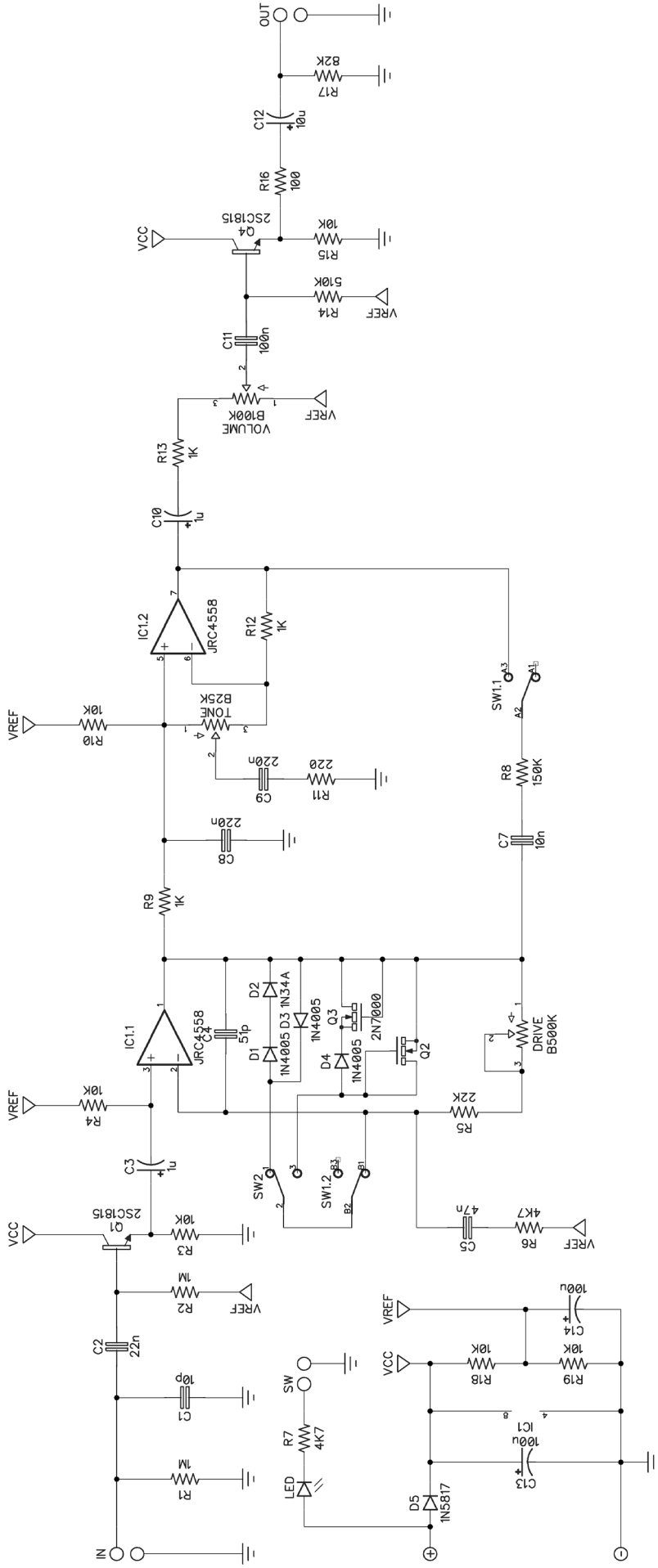
SW1	(FM/CC/Vintage)
SW2	(Mosfet/Silicon)

Potentiometers

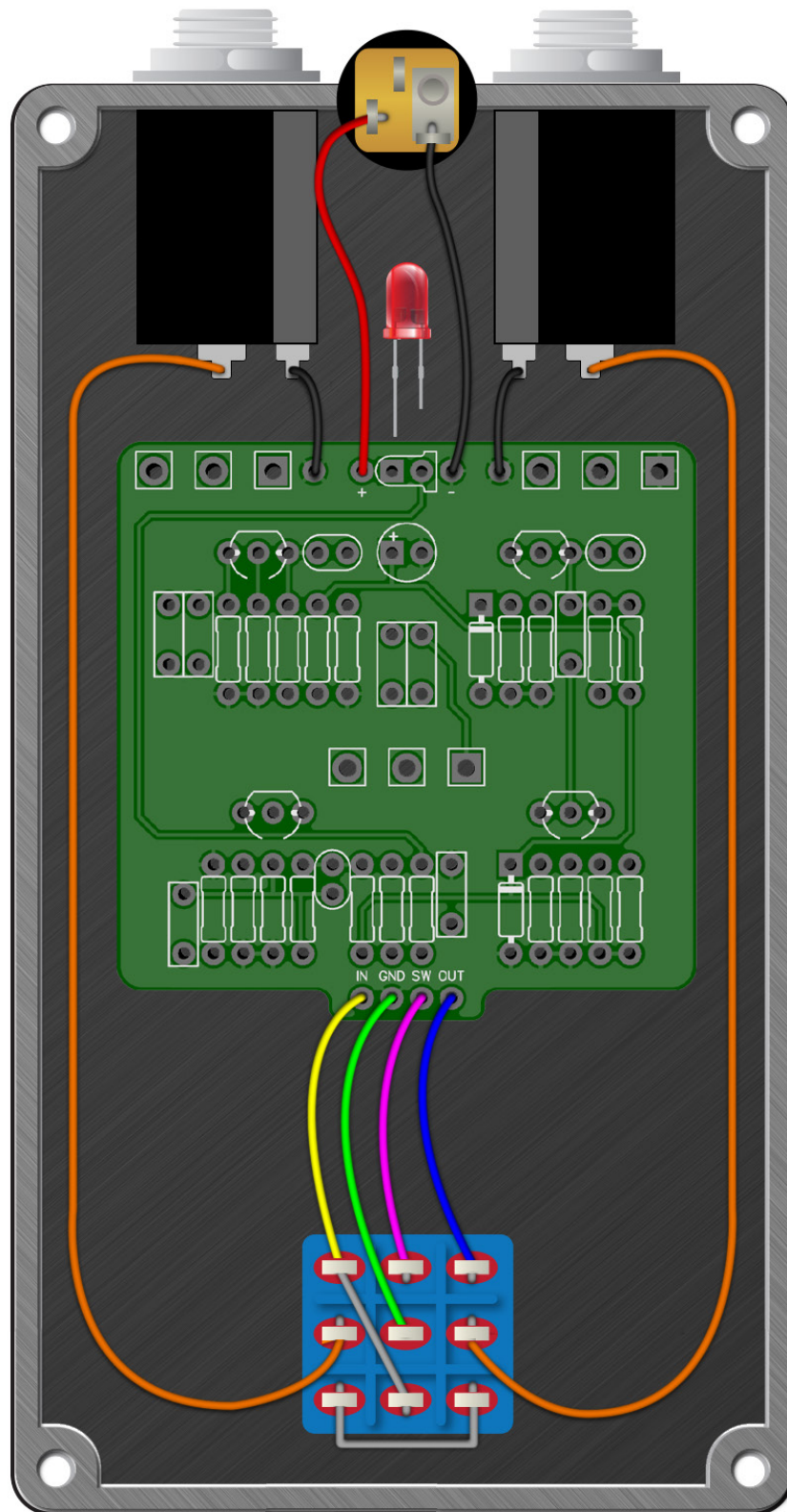
VOLUME	B100K
TONE	B25K
DRIVE	B500K

DPDT	On-On-On
SPDT	On-On

Mini-Drive



Wiring Diagram



Drill Template

4S125B enclosure with top mounted jacks

