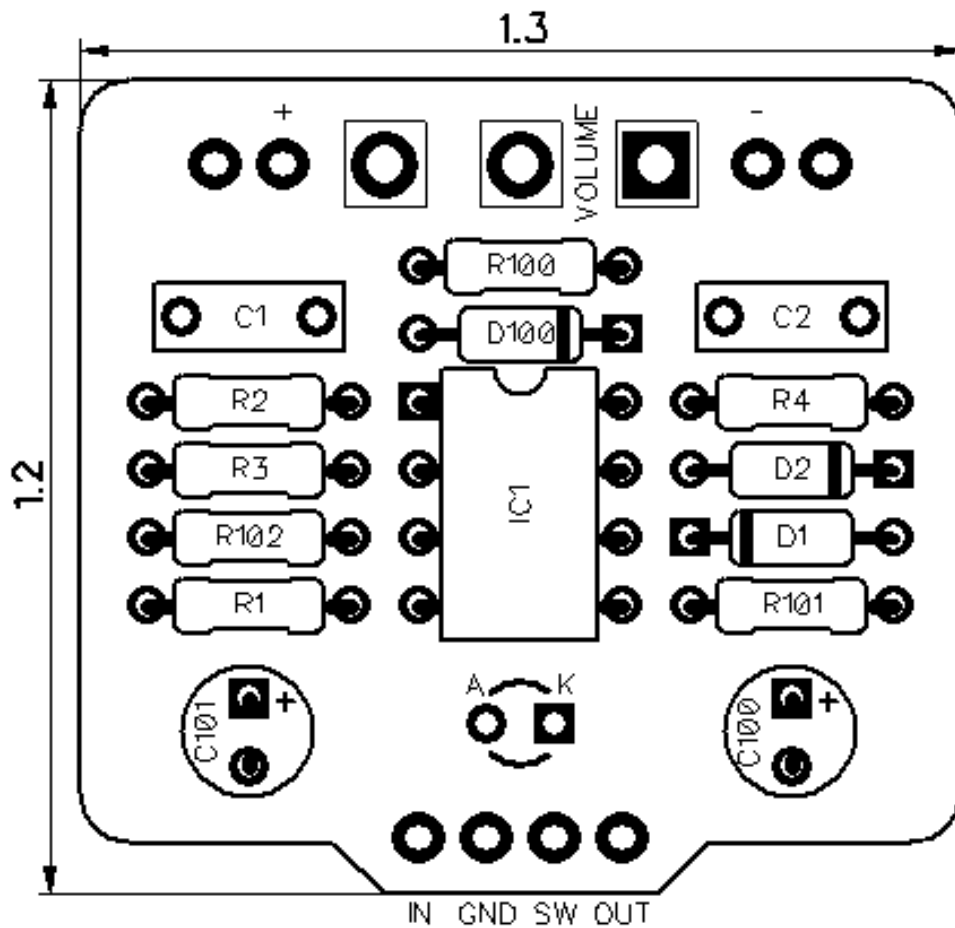




PedalPCB

Mini-Muffin Fuzz

Revision 01.27.20



Controls

- Volume

Mini-Muffin Fuzz

Parts List

RESISTORS (1/4W)

R1 1M
R2 1K
R3 470K
R4 10K
R100 4K7
R101 680K
R102 680K

CAPACITORS

C1 10n
C2 100n
C100 100u
C101 10u

INTEGRATED CIRCUITS

IC1 JRC4558

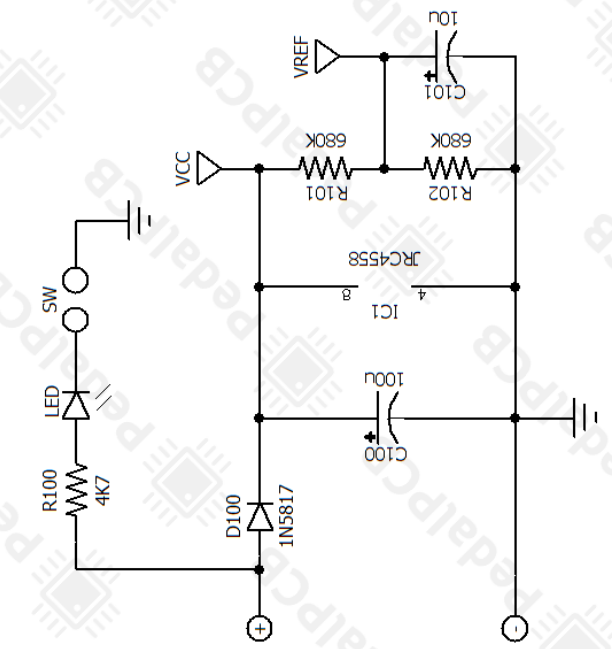
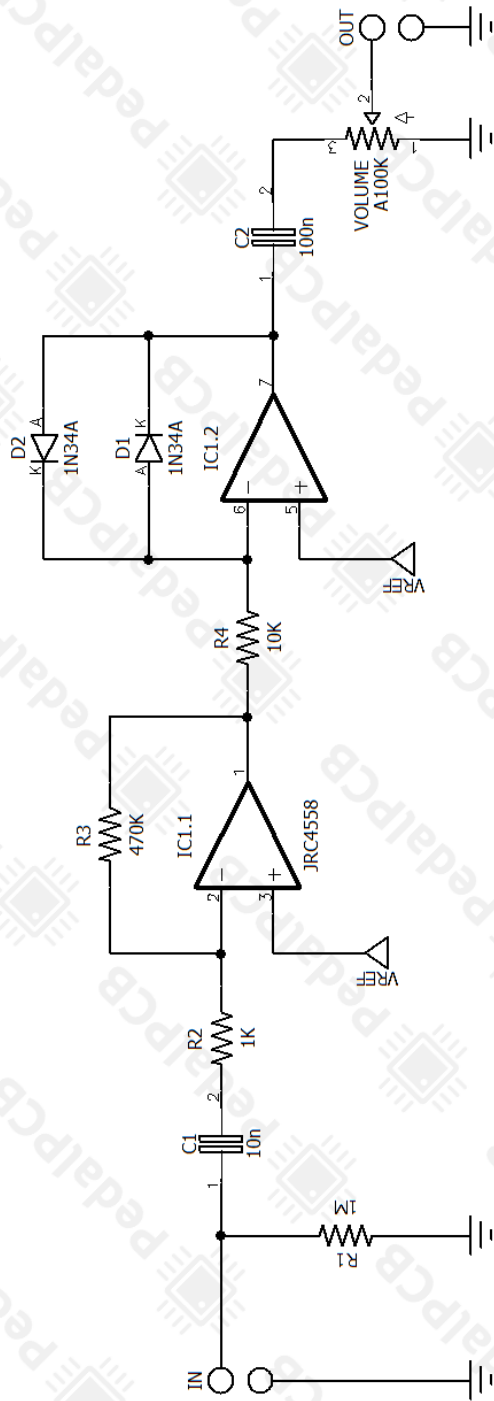
DIODES

D1 1N34A
D2 1N34A
D100 1N5817

POTENTIOMETERS

VOLUME A100K

Mini-Muffin Fuzz



Mini-Muffin Fuzz

Wiring Diagram



Mini-Muffin Fuzz

Drill Template
125B Enclosure

