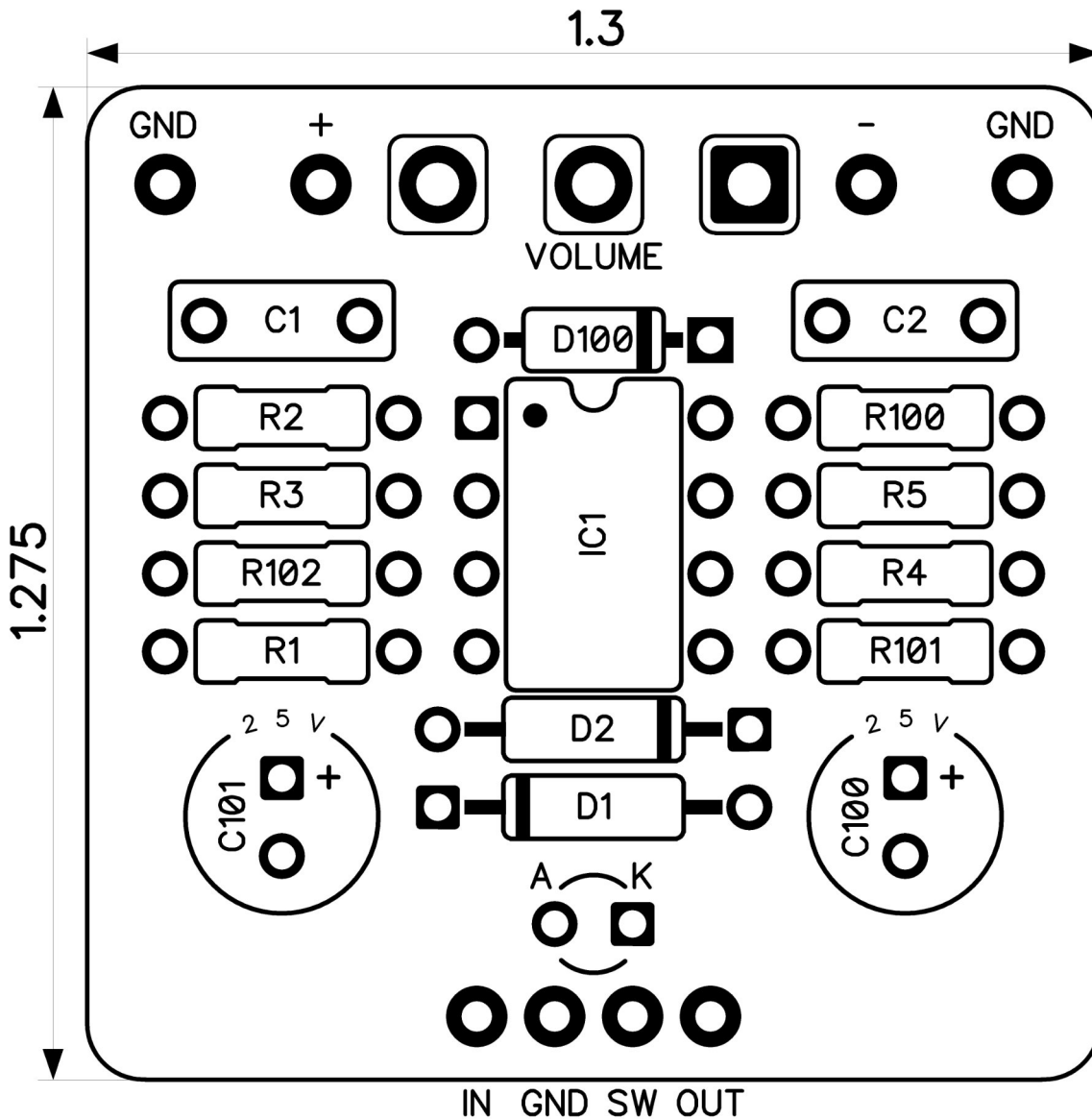


# PedalPCB

## Mini-Muffin Fuzz

Revised 4/4/24

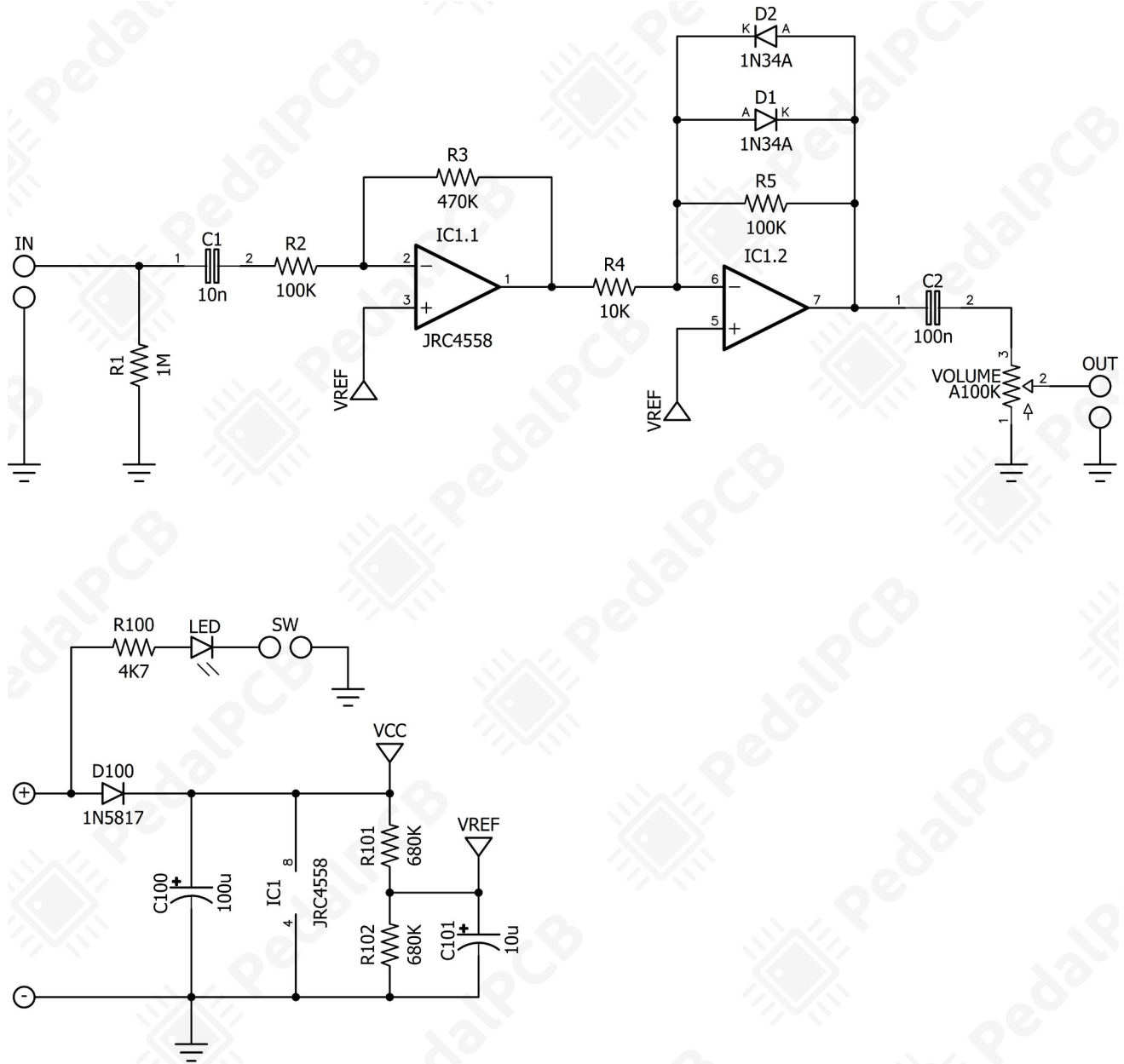


### CONTROLS AND FEATURES

- Volume

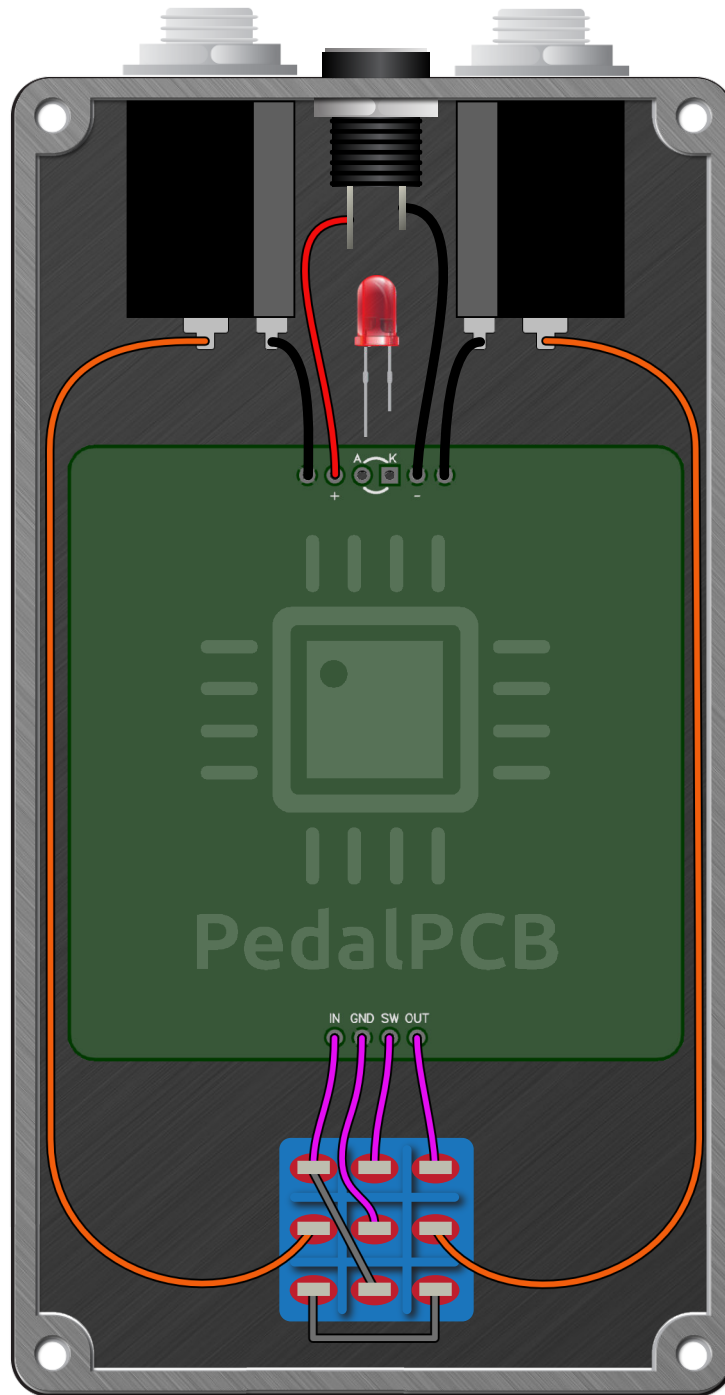
All trademarks and registered trademarks are the property of their respective owners. The company, product, and service names used in this web site are for identification purposes only. Use of these names, logos, and brands does not imply endorsement.





# Mini-Muffin Fuzz

Wiring Diagram



# Mini-Muffin Fuzz

Drill Template  
125B Enclosure

