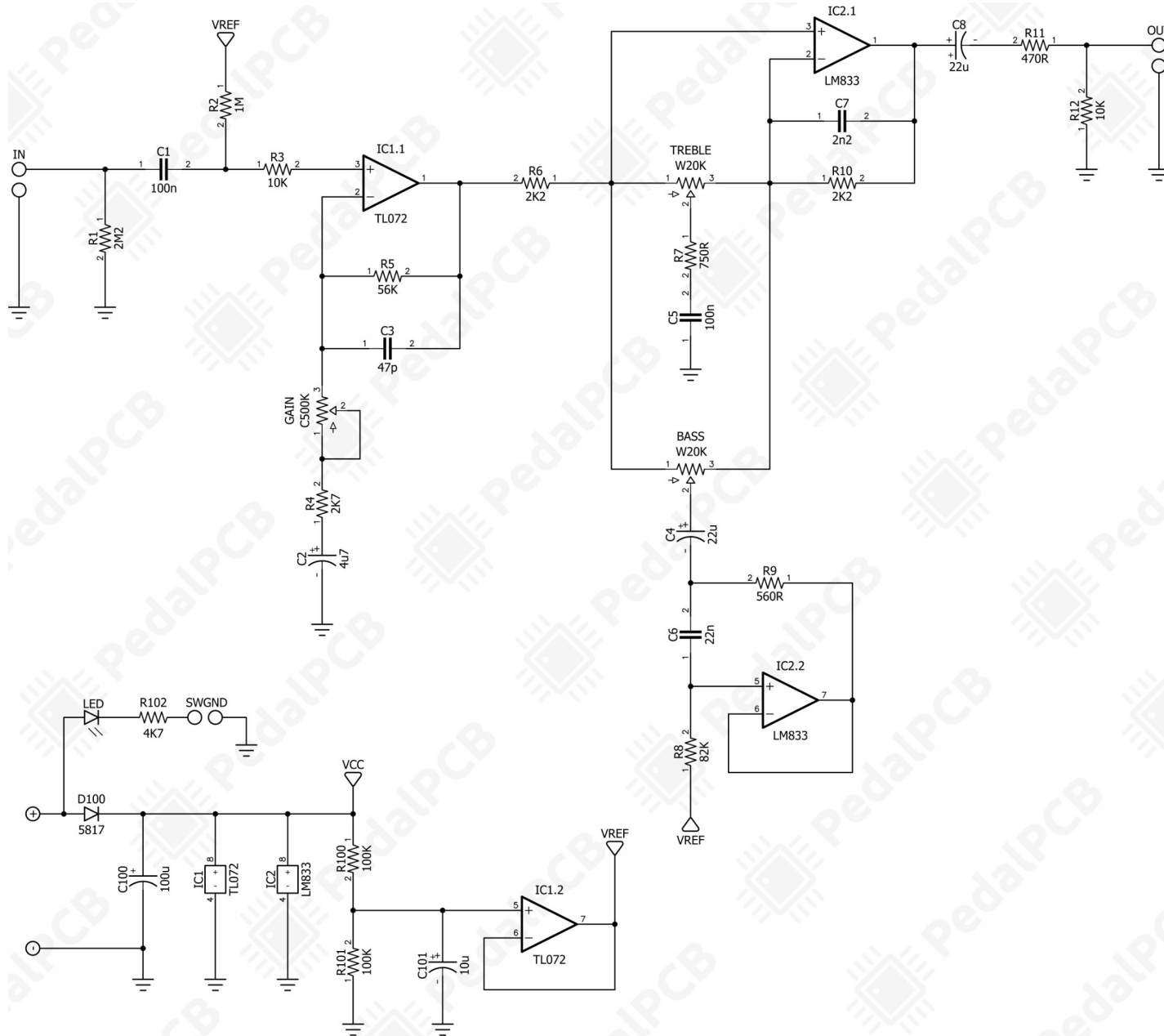


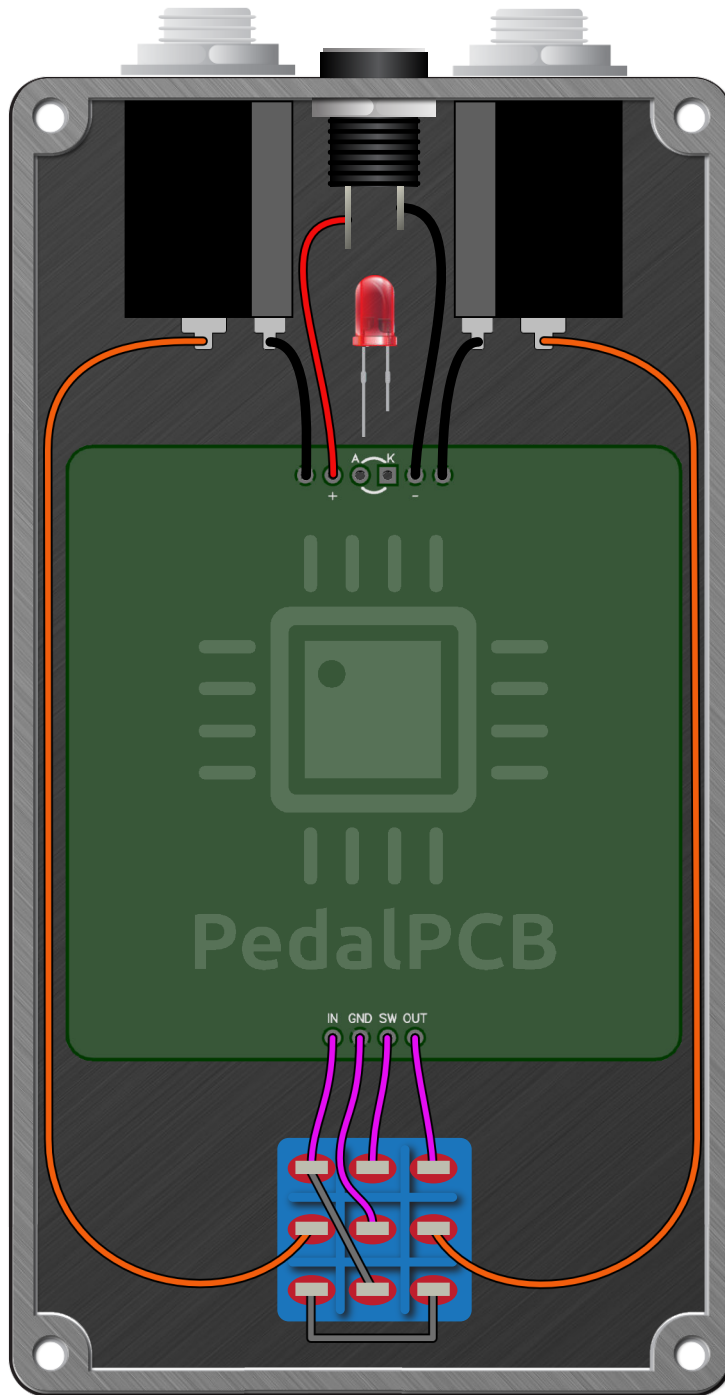
Micro-Addition Boost

Schematic Diagram



Micro-Addition Boost

Wiring Diagram



Micro-Addition Boost

Drill Template
125B Enclosure

