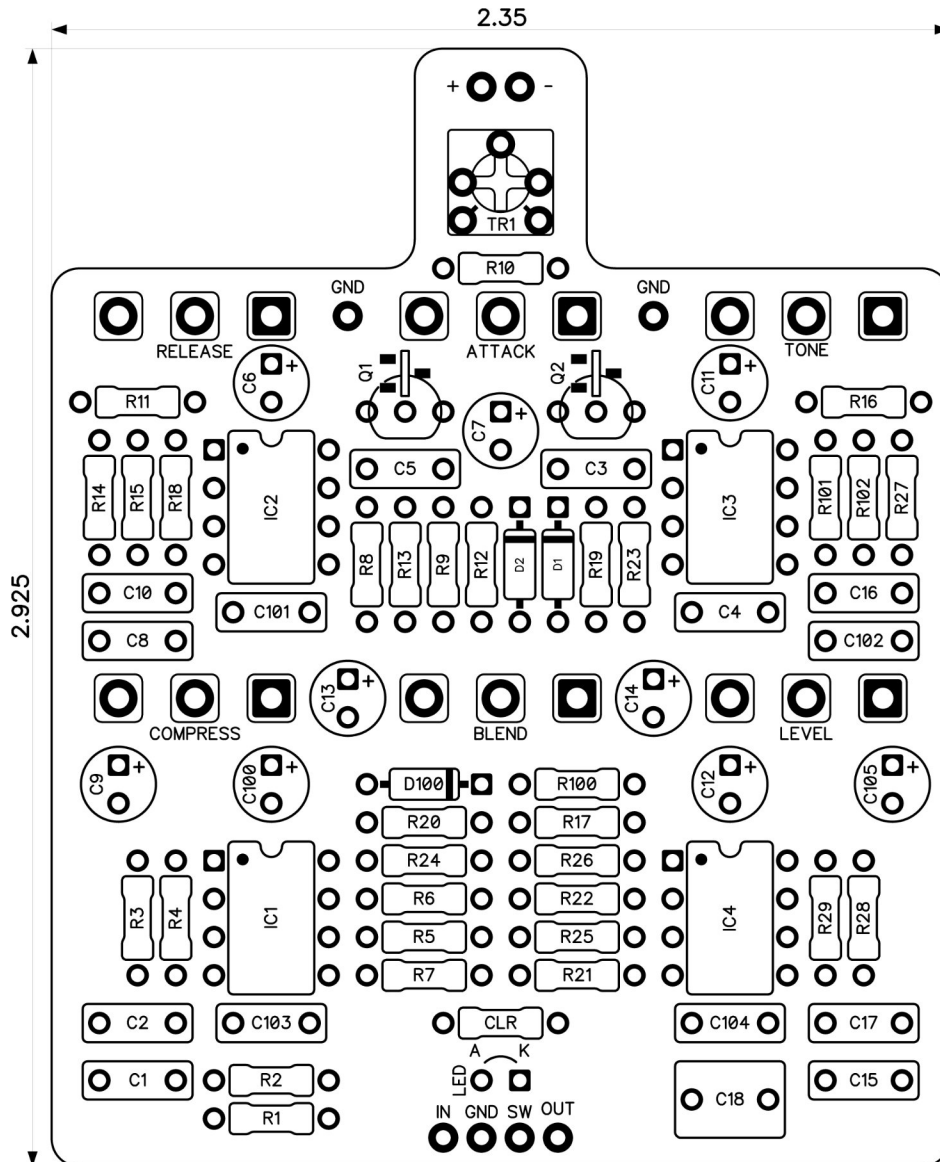


PedalPCB

Median Compressor

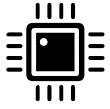
Revised 4/13/24



CONTROLS AND FEATURES

- Tone
- Attack
- Release
- Level
- Blend
- Compress

All trademarks and registered trademarks are the property of their respective owners. The company, product, and service names used in this web site are for identification purposes only. Use of these names, logos, and brands does not imply endorsement.



LOCATION	VALUE	TYPE	NOTES
R1	10K	Resistor, 1/4W	
R2	1M	Resistor, 1/4W	
R3	1M	Resistor, 1/4W	
R4	10K	Resistor, 1/4W	
R5	10K	Resistor, 1/4W	
R6	1K	Resistor, 1/4W	
R7	10K	Resistor, 1/4W	
R8	100K	Resistor, 1/4W	
R9	470K	Resistor, 1/4W	
R10	470K	Resistor, 1/4W	
R11	68K	Resistor, 1/4W	
R12	1K	Resistor, 1/4W	
R13	2K4	Resistor, 1/4W	
R14	1M	Resistor, 1/4W	
R15	10K	Resistor, 1/4W	
R16	10K	Resistor, 1/4W	
R17	10K	Resistor, 1/4W	
R18	1M	Resistor, 1/4W	
R19	4K7	Resistor, 1/4W	
R20	4K7	Resistor, 1/4W	
R21	12K	Resistor, 1/4W	
R22	22K	Resistor, 1/4W	
R23	4K7	Resistor, 1/4W	
R24	1K	Resistor, 1/4W	
R25	10K	Resistor, 1/4W	
R26	1K	Resistor, 1/4W	
R27	10K	Resistor, 1/4W	
R28	56K	Resistor, 1/4W	
R29	220R	Resistor, 1/4W	
R100	10R	Resistor, 1/4W	
R101	10K	Resistor, 1/4W	
R102	10K	Resistor, 1/4W	
CLR	4K7	Resistor, 1/4W	* LED current limiting resistor
C1	56p	Ceramic capacitor	
C2	22n	Film capacitor, 7.2 x 2.5mm	
C3	47n	Film capacitor, 7.2 x 2.5mm	
C4	33p	Ceramic capacitor	
C5	2n2	Film capacitor, 7.2 x 2.5mm	
C6	4u7	Electrolytic capacitor, 5mm	
C7	4u7	Electrolytic capacitor, 5mm	
C8	47n	Film capacitor, 7.2 x 2.5mm	
C9	4u7	Electrolytic capacitor, 5mm	
<i>Continued on next page...</i>			

LOCATION	VALUE	TYPE	NOTES
C10	68p	Ceramic capacitor	
C11	4u7	Electrolytic capacitor, 5mm	
C12	4u7	Electrolytic capacitor, 5mm	
C13	47u	Electrolytic capacitor, 5mm	
C14	47u	Electrolytic capacitor, 5mm	
C15	330p	Ceramic capacitor	
C16	2n2	Film capacitor, 7.2 x 2.5mm	
C17	220p	Ceramic capacitor	
C18	1u	Film capacitor, 7.2 x 5.0mm	
C100	100u	Electrolytic capacitor, 5mm	
C101	100n	Film capacitor, 7.2 x 2.5mm	
C102	100n	Film capacitor, 7.2 x 2.5mm	
C103	100n	Film capacitor, 7.2 x 2.5mm	
C104	100n	Film capacitor, 7.2 x 2.5mm	
C105	100u	Electrolytic capacitor, 5mm	
D1	BAT43	Schottky diode, DO-35	
D2	BAT43	Schottky diode, DO-35	
D100	1N5817	Schottky diode, DO-41	
Q1	2N5457	JFET transistor, N-channel	* See notes
Q2	2N5457	JFET transistor, N-channel	
IC1	OP1678	Dual op-amp, DIP8	* See notes
IC2	OP1678	Dual op-amp, DIP8	
IC3	OP1678	Dual op-amp, DIP8	
IC4	OP1678	Dual op-amp, DIP8	
ATTACK	C25K	16mm right-angle PCB mount pot	
BLEND	B10K	16mm right-angle PCB mount pot	
LEVEL	A100K	16mm right-angle PCB mount pot	
COMPRESS	B100K	16mm right-angle PCB mount pot	
TONE	B100K	16mm right-angle PCB mount pot	
RELEASE	A500K	16mm right-angle PCB mount pot	
TR1	10K	Trimmer potentiometer, 3362P type	



IC1 - IC4

OP1678 is only available in SOIC-8 SMD package.

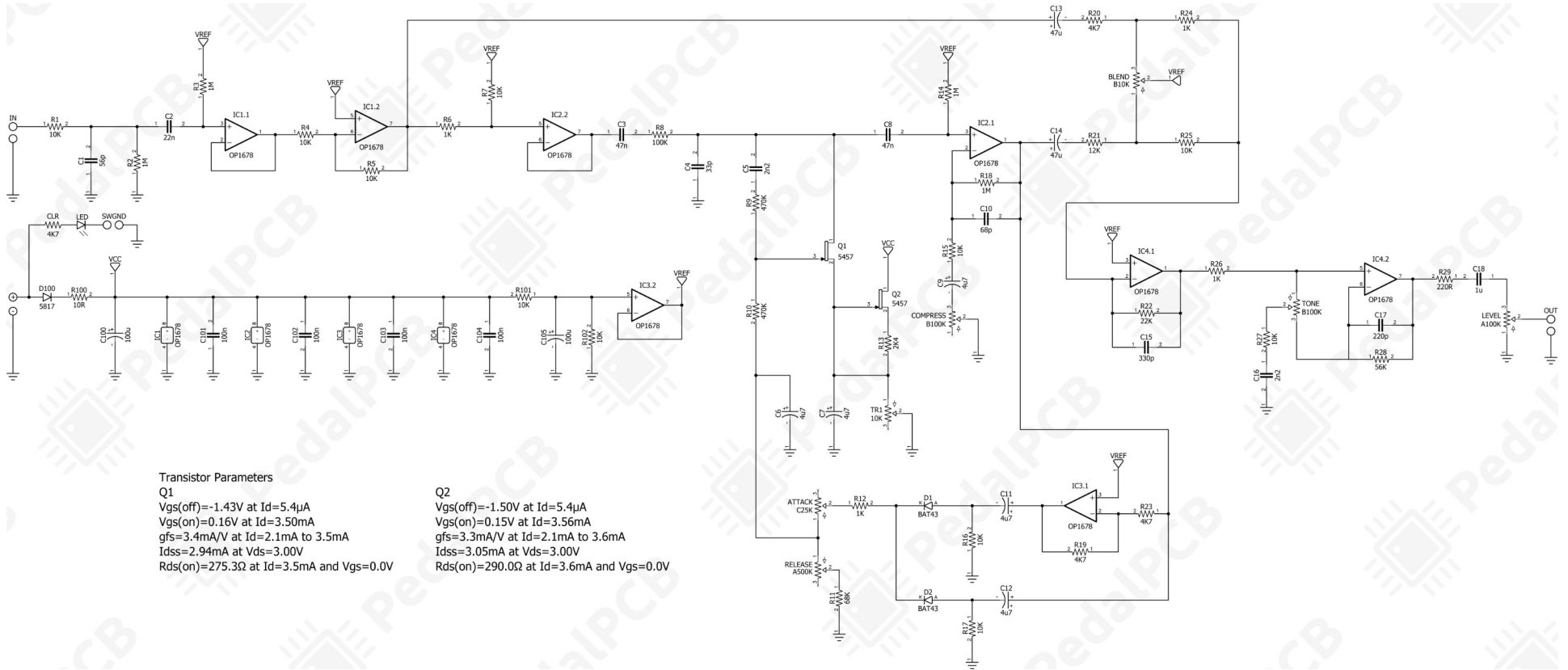
A [through-hole adapter](#) can be used, or a low-noise opamp with similar specs can be used as a substitute.

Q1 - Q2

Transistor parameters as measured listed on page 4

Median Compressor

Schematic Diagram



Transistor Parameters

Q1

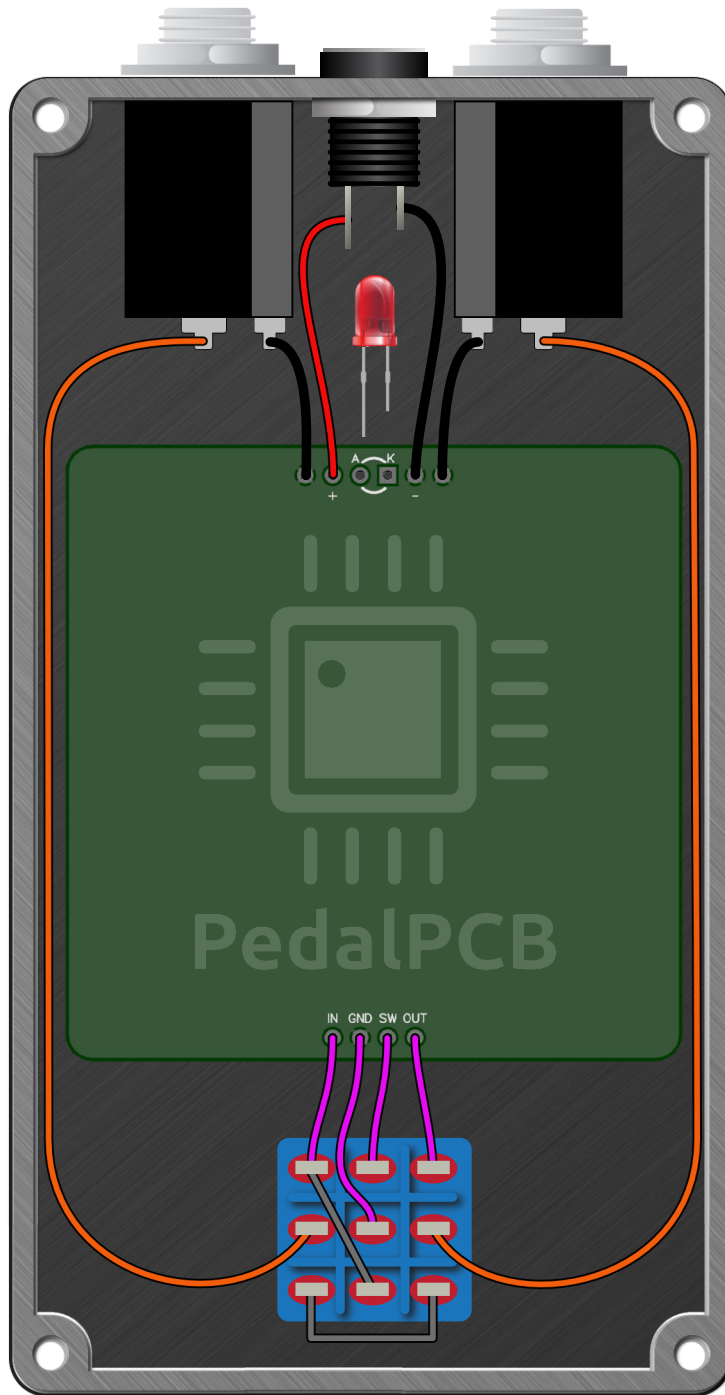
Vgs(off)=-1.43V at Id=5.4μA
 Vgs(on)=0.16V at Id=3.50mA
 gfs=3.4mA/V at Id=2.1mA to 3.5mA
 Idss=2.94mA at Vds=3.00V
 Rds(on)=275.3Ω at Id=3.5mA and Vgs=0.0V

Q2

Vgs(off)=-1.50V at Id=5.4μA
 Vgs(on)=0.15V at Id=3.56mA
 gfs=3.3mA/V at Id=2.1mA to 3.6mA
 Idss=3.05mA at Vds=3.00V
 Rds(on)=290.0Ω at Id=3.6mA and Vgs=0.0V

Median Compressor

Wiring Diagram



Median Compressor

Drill Template
125B Enclosure

