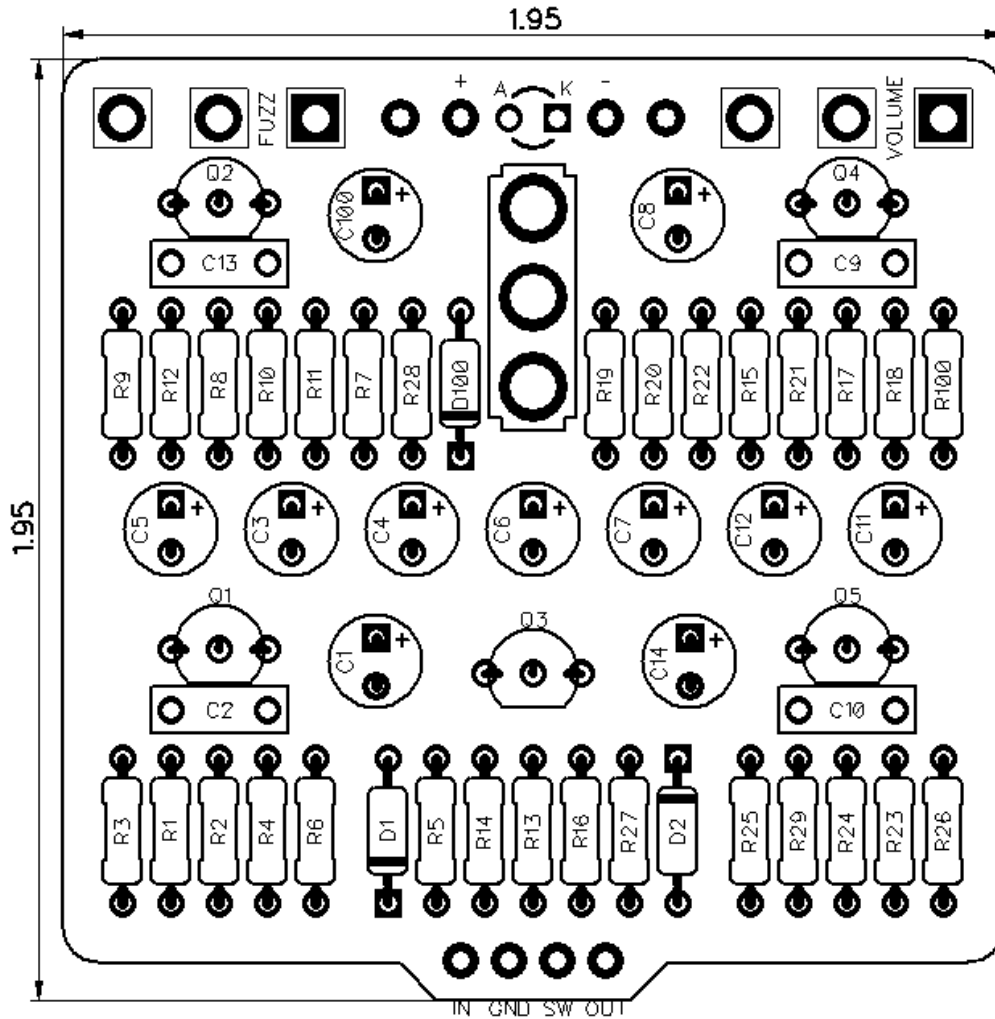




# PedalPCB

## Master Fuzz

Revision 11.06.19



### Controls

- **Volume**
- **Fuzz**
- **Tone (Toggle Switch)**

All trademarks and registered trademarks are the property of their respective owners. The company, product, and service names used in this web site are for identification purposes only. Use of these names, logos, and brands does not imply endorsement.

# Master Fuzz

## Parts List

### RESISTORS (1/4W)

R1 100K  
R2 15K  
R3 1K8  
R4 10K  
R5 22K  
R6 100K  
R7 100K  
R8 220K  
R9 10K  
R10 10K  
R11 1K  
R12 1K  
R13 15K  
R14 100K  
R15 1K8  
R16 10K  
R17 15K  
R18 100K  
R19 47K  
R20 10K  
R21 22K  
R22 10K  
R23 15K  
R24 100K  
R25 1K8  
R26 10K  
R27 100K  
R28 47K  
R29 68R  
R100 4K7

### CAPACITORS

C1 1u  
C2 100p  
C3 1u  
C4 1u  
C5 1u  
C6 10u  
C7 1u  
C8 1u  
C9 1n  
C10 100n  
C11 1u  
C12 1u  
C13 100p  
C14 4u7  
C100 10u

### TRANSISTORS

Q1 2N3904  
Q2 2N3904  
Q3 2N3904  
Q4 2N3904  
Q5 2N3904

### DIODES

D1 GE  
D2 GE  
D100 1N5817

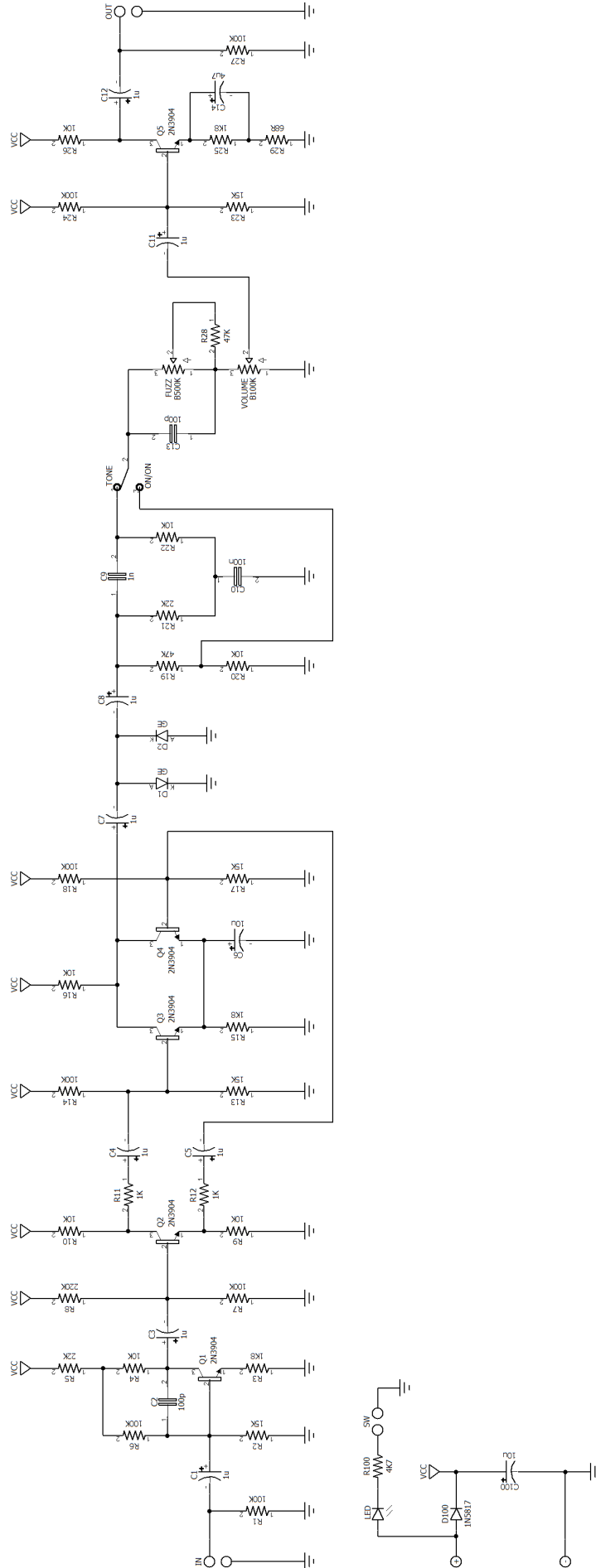
### POTENTIOMETERS

VOLUME B100K  
FUZZ B500K

### SWITCHES

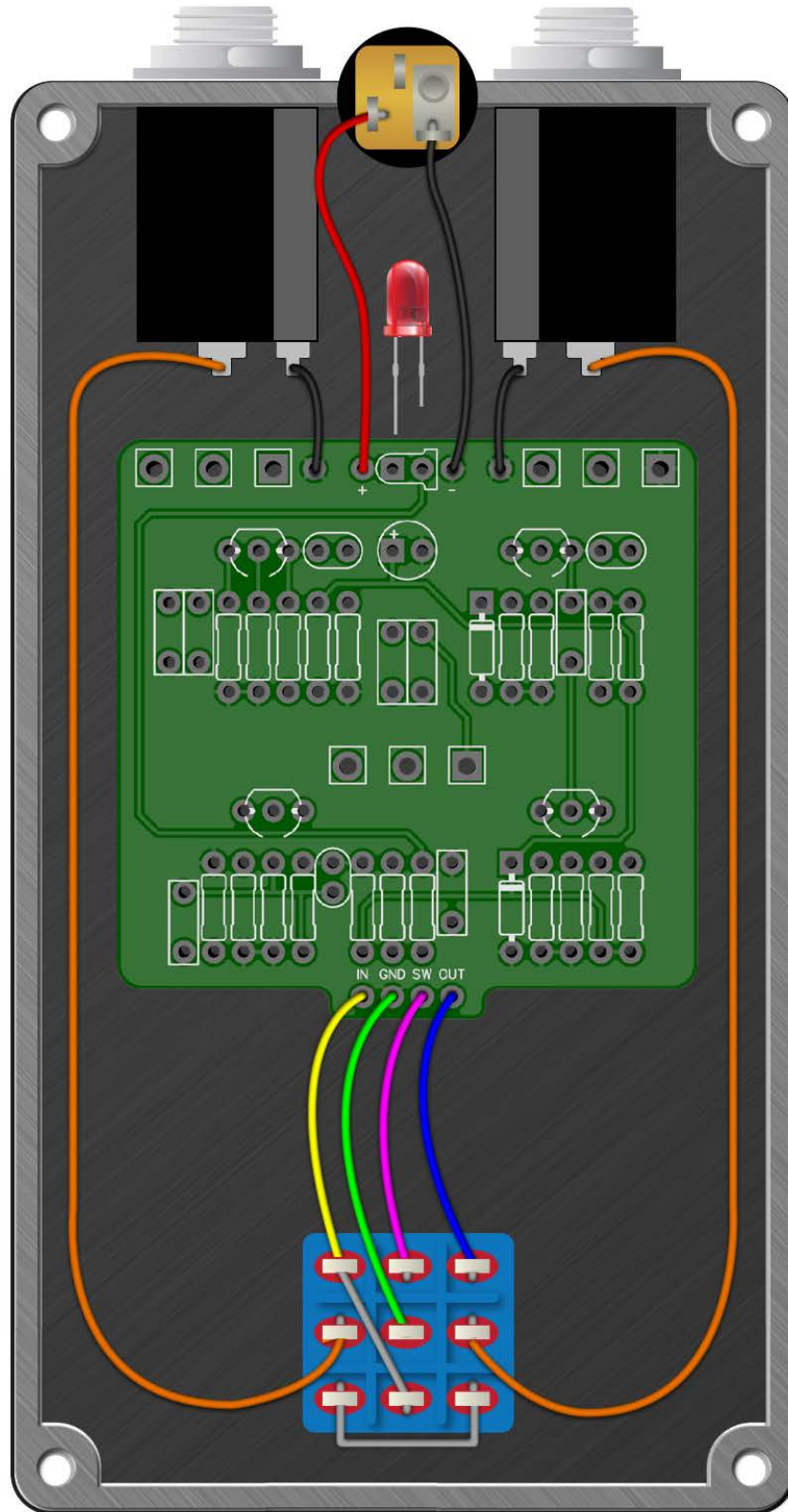
TONE SPDT (On/On)

# Master Fuzz



# Master Fuzz

Wiring Diagram



# Master Fuzz

Drill Template  
125B Enclosure

