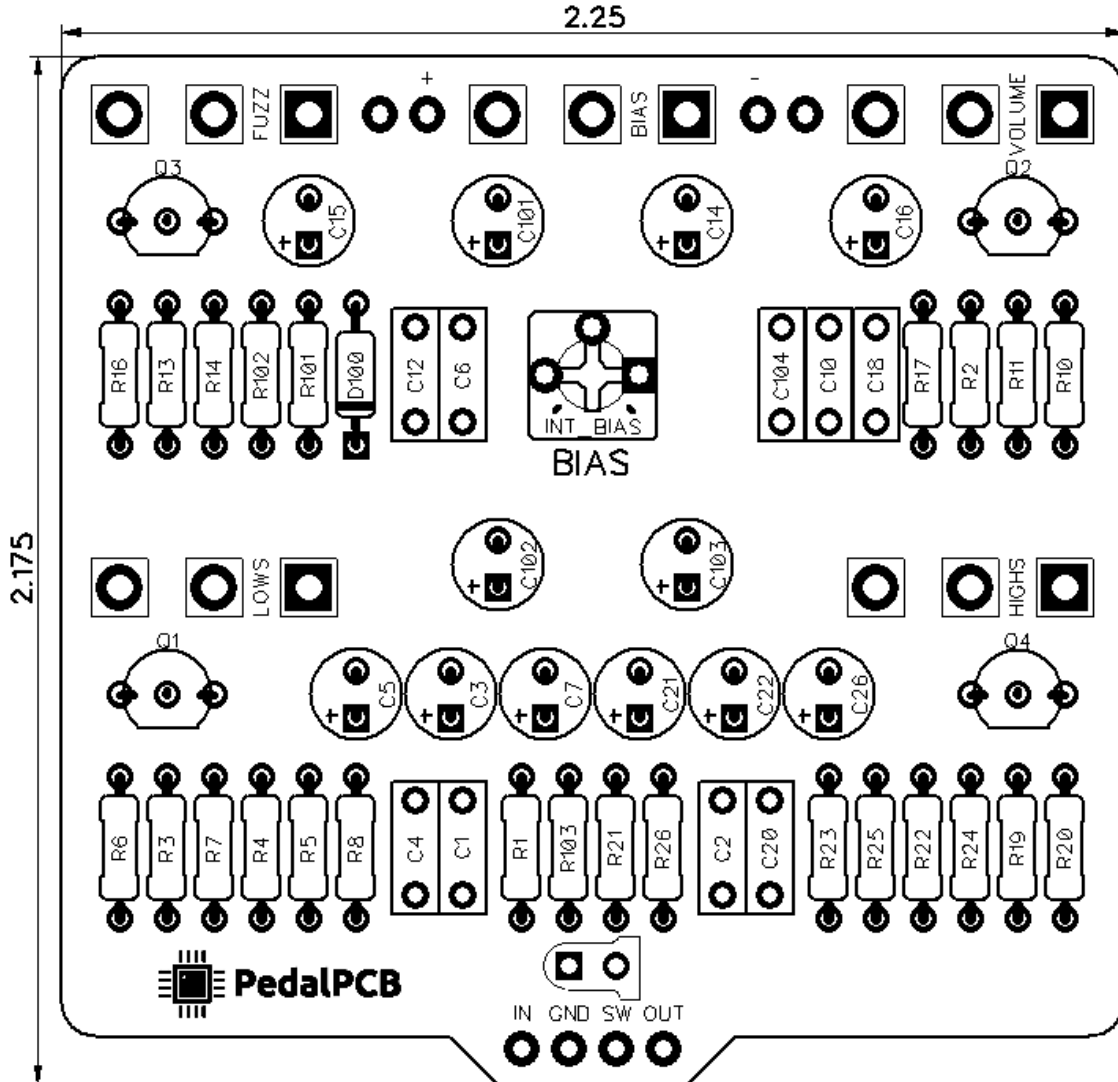


PedalPCB

Marsh Fuzz

Revision 07.06.18



Controls

- **Volume** - Sets the overall output volume
- **Bias** - External bias control
- **Fuzz** - Controls the level of fuzz
- **Highs** - Controls the high end frequencies (post fuzz)
- **Lows** - Controls the low end frequencies (pre fuzz)
- **Bias (internal trim)** - Internal bias control

All trademarks and registered trademarks are the property of their respective owners. The company, product, and service names used in this web site are for identification purposes only. Use of these names, logos, and brands does not imply endorsement.

Marsh Fuzz

Parts List

RESISTORS

R1 1M
R2 68K1
R3 1M
R4 22K
R5 47K
R6 1K
R7 10K
R8 10K
R10 100K
R11 100K
R13 100K
R14 220R
R16 12R4
R17 1K
R19 68K
R20 1M
R21 22K
R22 47K
R23 10K
R24 1K
R25 1K
R26 100K
R101 220R
R102 220R
R103 4K7

CAPACITORS

C1 100p
C2 100n
C3 22u
C4 1n
C5 22u
C6 4n7
C7 22u
C10 100p
C12 220p
C14 22u
C15 22u
C16 22u
C18 100n
C20 3n3
C21 22u
C22 22u
C26 22u
C101 220u
C102 220u
C103 220u
C104 100n

TRANSISTORS

Q1 BC549C
Q2 BC549C
Q3 BC549C
Q4 BC549C

DIODES

D100 1N5817

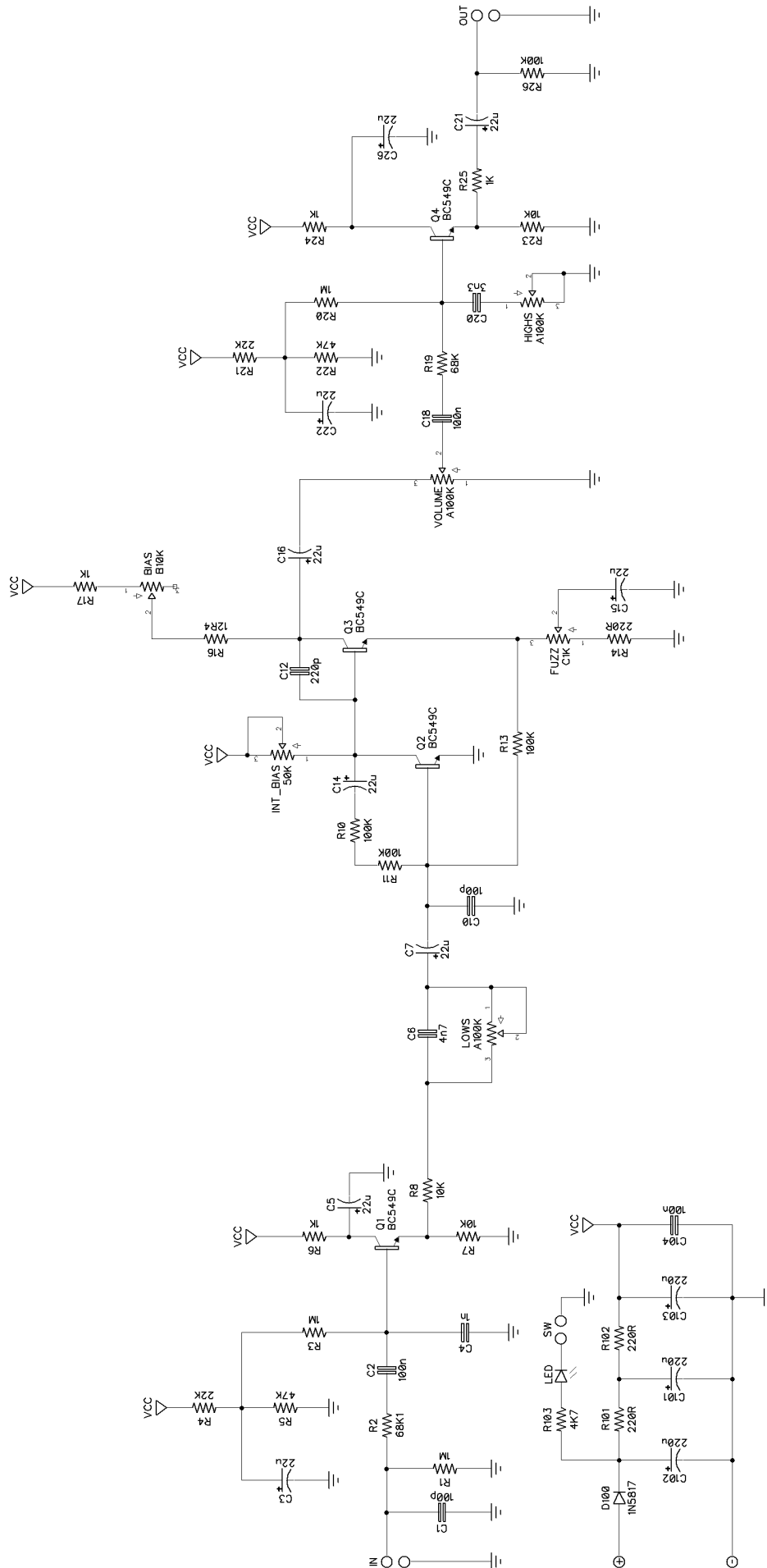
POTENTIOMETERS

VOLUME A100K
BIAS B10K
FUZZ C1K
HIGHS A100K
LOWS A100K

TRIM POTS (3362P)

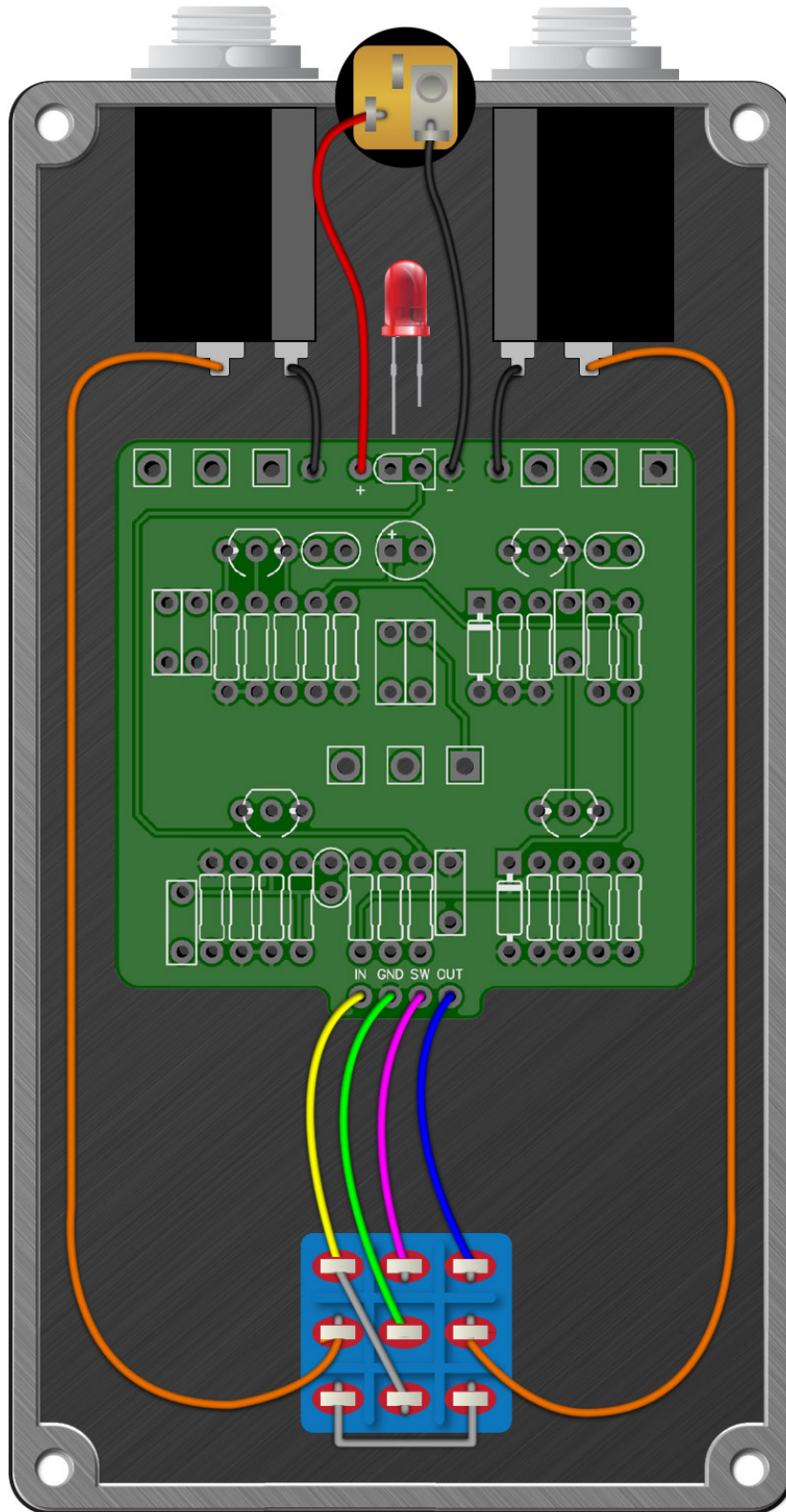
INT_BIAS 50K

PedalPCB
Marsh Fuzz



Marsh Fuzz

Wiring Diagram



Marsh Fuzz

Drill Template
125B enclosure with top mounted jacks

