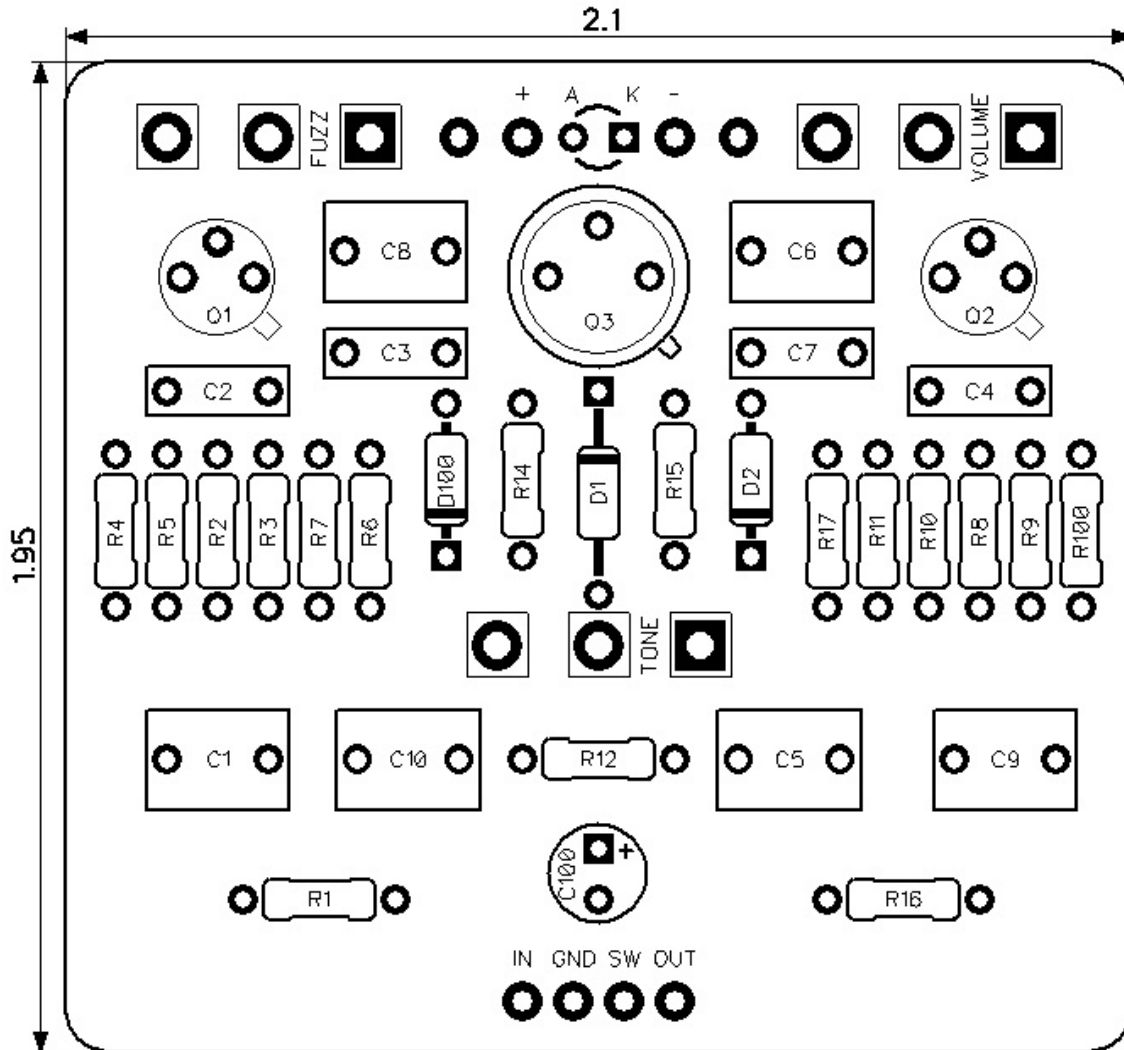




PedalPCB

Marigold Fuzz

Revised 4/30/24



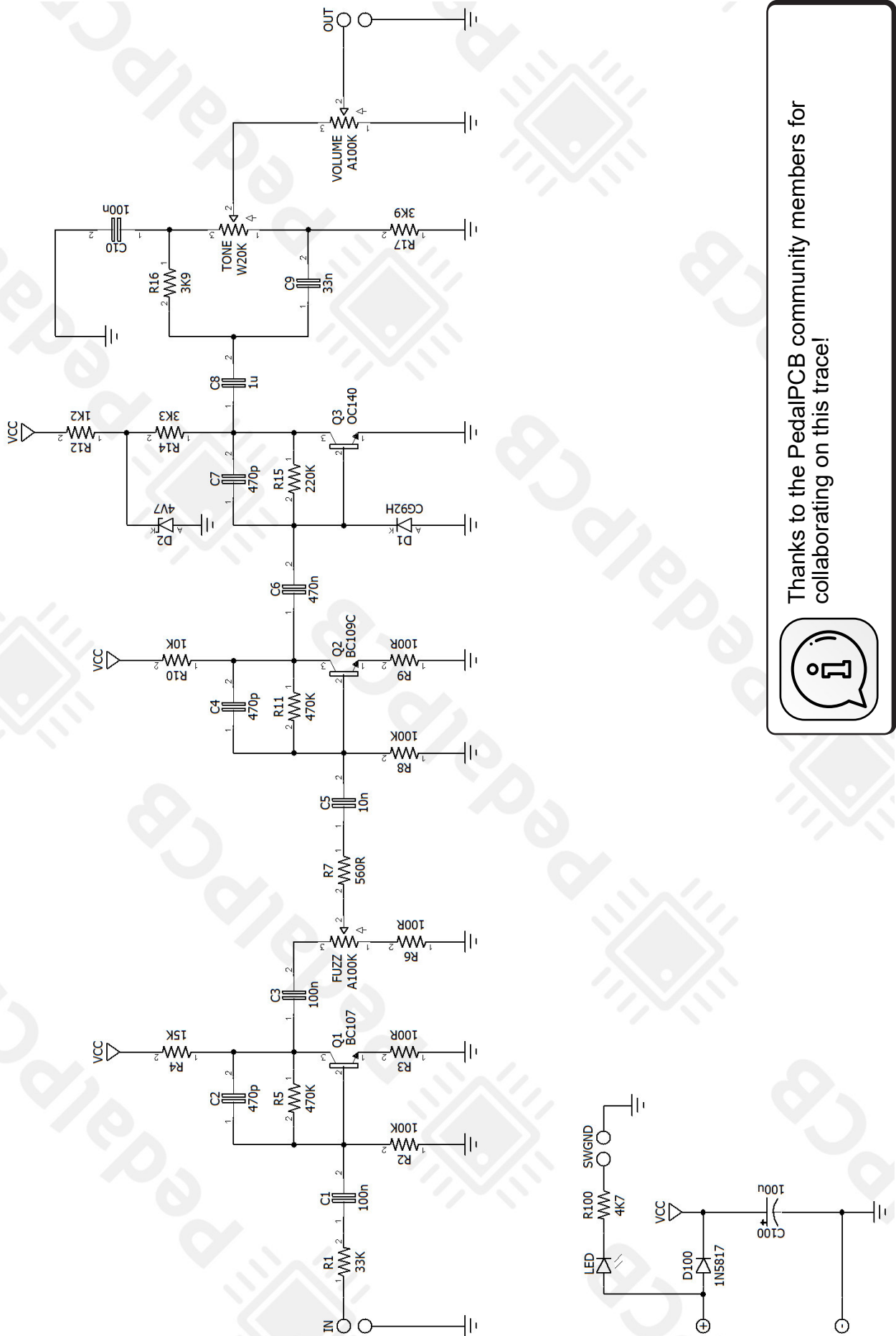
CONTROLS AND FEATURES

- Volume
- Tone
- Fuzz

All trademarks and registered trademarks are the property of their respective owners. The company, product, and service names used in this web site are for identification purposes only. Use of these names, logos, and brands does not imply endorsement.

Marigold Fuzz

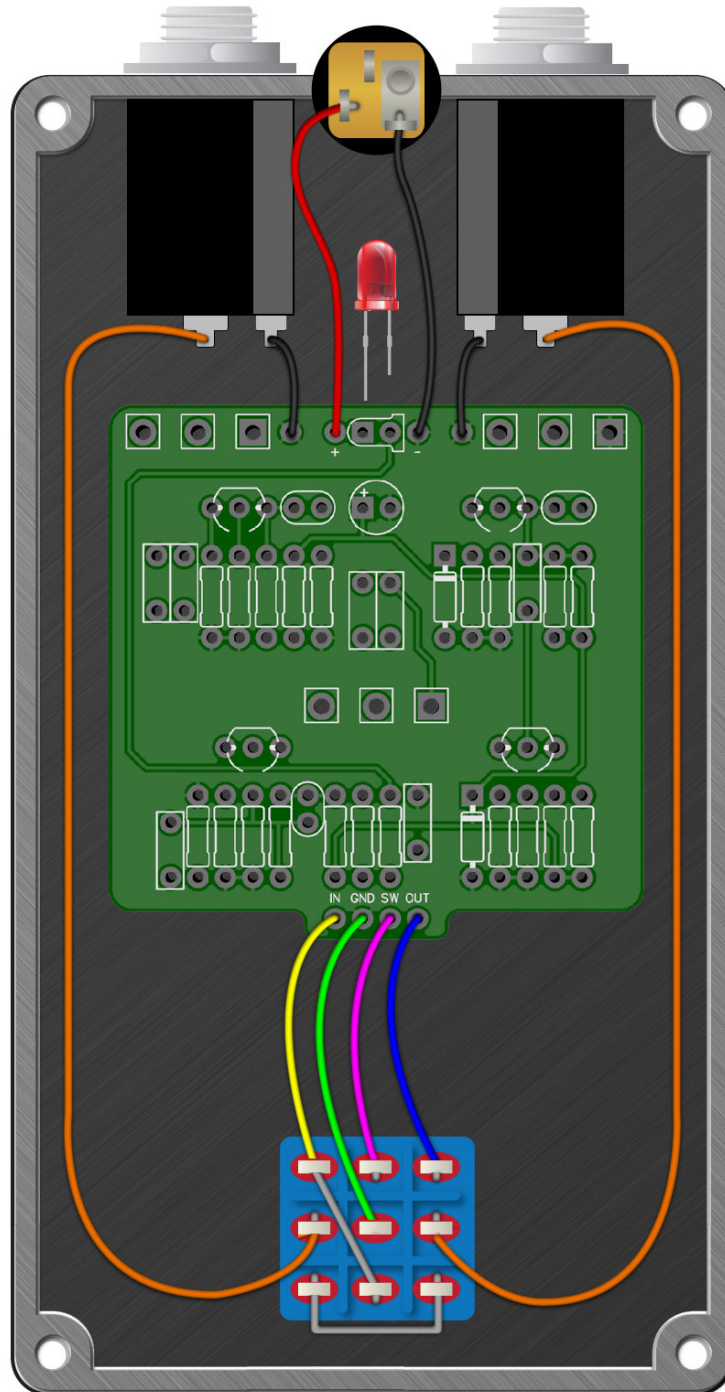
Schematic Diagram



Thanks to the PedalPCB community members for collaborating on this trace!

Marigold Fuzz

Wiring Diagram



Marigold Fuzz

Drill Template
125B Enclosure

