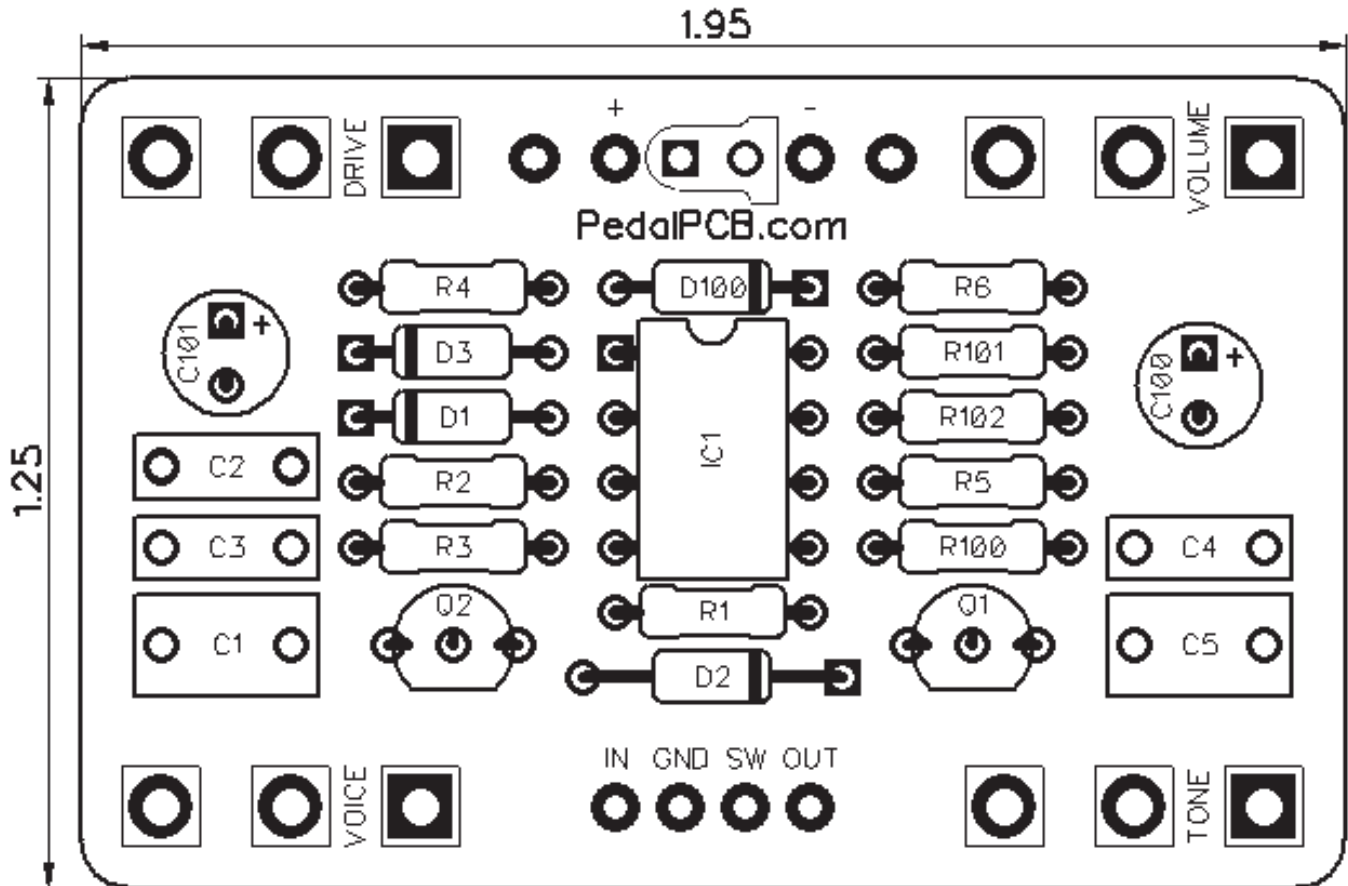




# PedalPCB

## Mahayana Drive

Revision 02.01.19



### Controls

- Volume
- Drive
- Tone
- Voice

# Mahayana Drive

## Parts List

**RESISTORS (1/4W)**

R1 2M2  
R2 470K  
R3 1K  
R4 1K  
R5 10K  
R6 1K  
R100 4K7  
R101 10K  
R102 10K

**CAPACITORS**

C1 470n  
C2 100p  
C3 100n  
C4 3n3  
C5 470n  
C100 100u  
C101 47u

**TRANSISTORS**

Q1 2N7000  
Q2 2N7000

**INTEGRATED CIRCUITS**

IC1 AD712

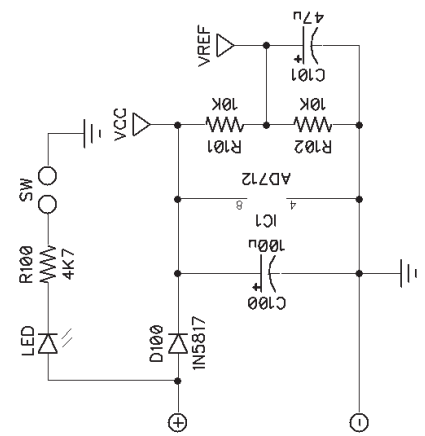
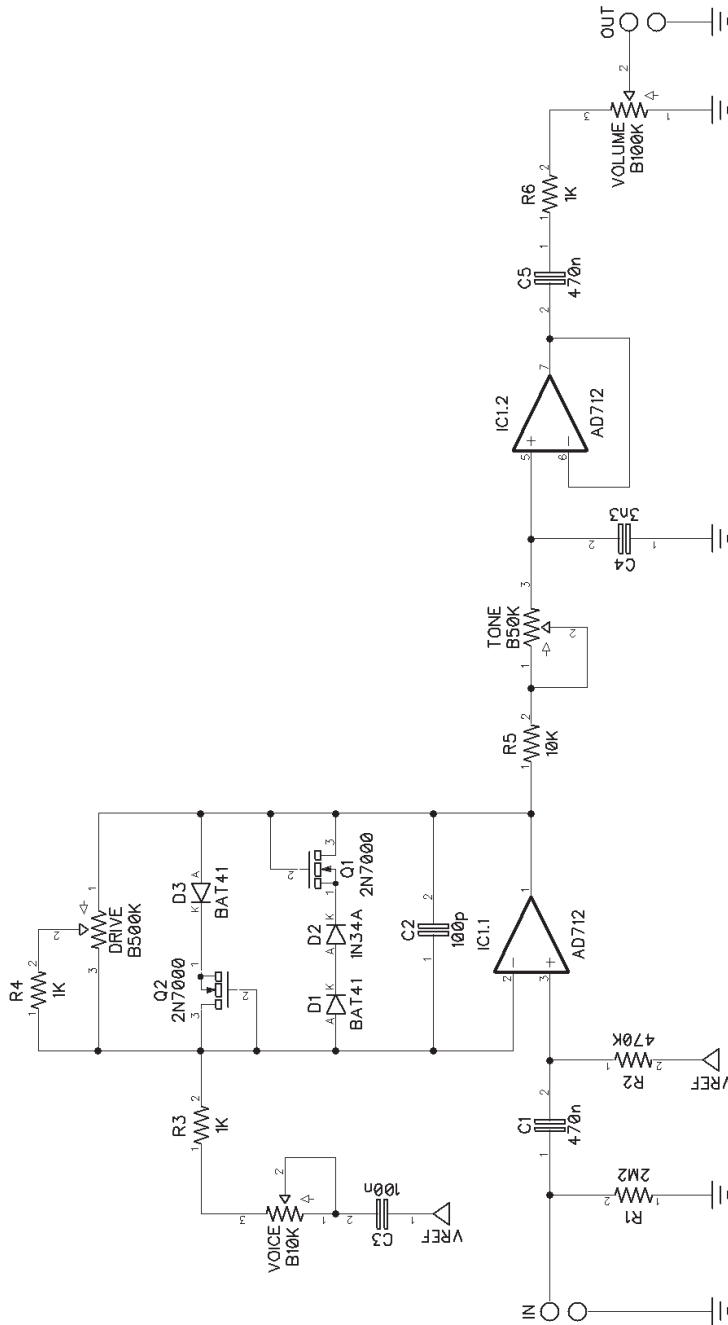
**DIODES**

D1 BAT41  
D2 1N34A  
D3 BAT41  
D100 1N5817

**POTENTIOMETERS**

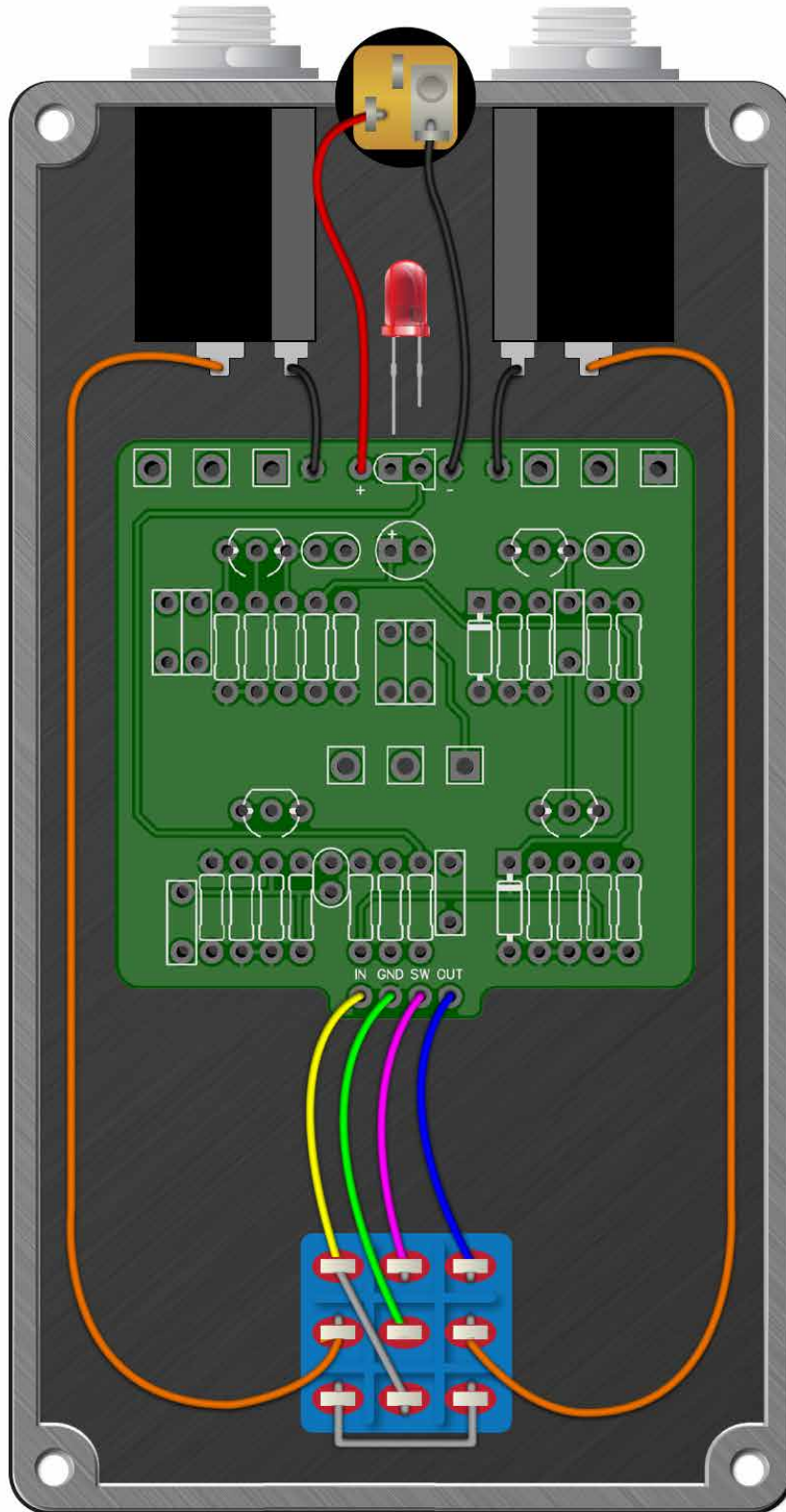
VOLUME B100K  
DRIVE B500K  
TONE B50K  
VOICE B10K

# Mahayana Drive



# Mahayana Drive

Wiring Diagram



# Mahayana Drive

Drill Template  
125B enclosure with top mounted jacks

