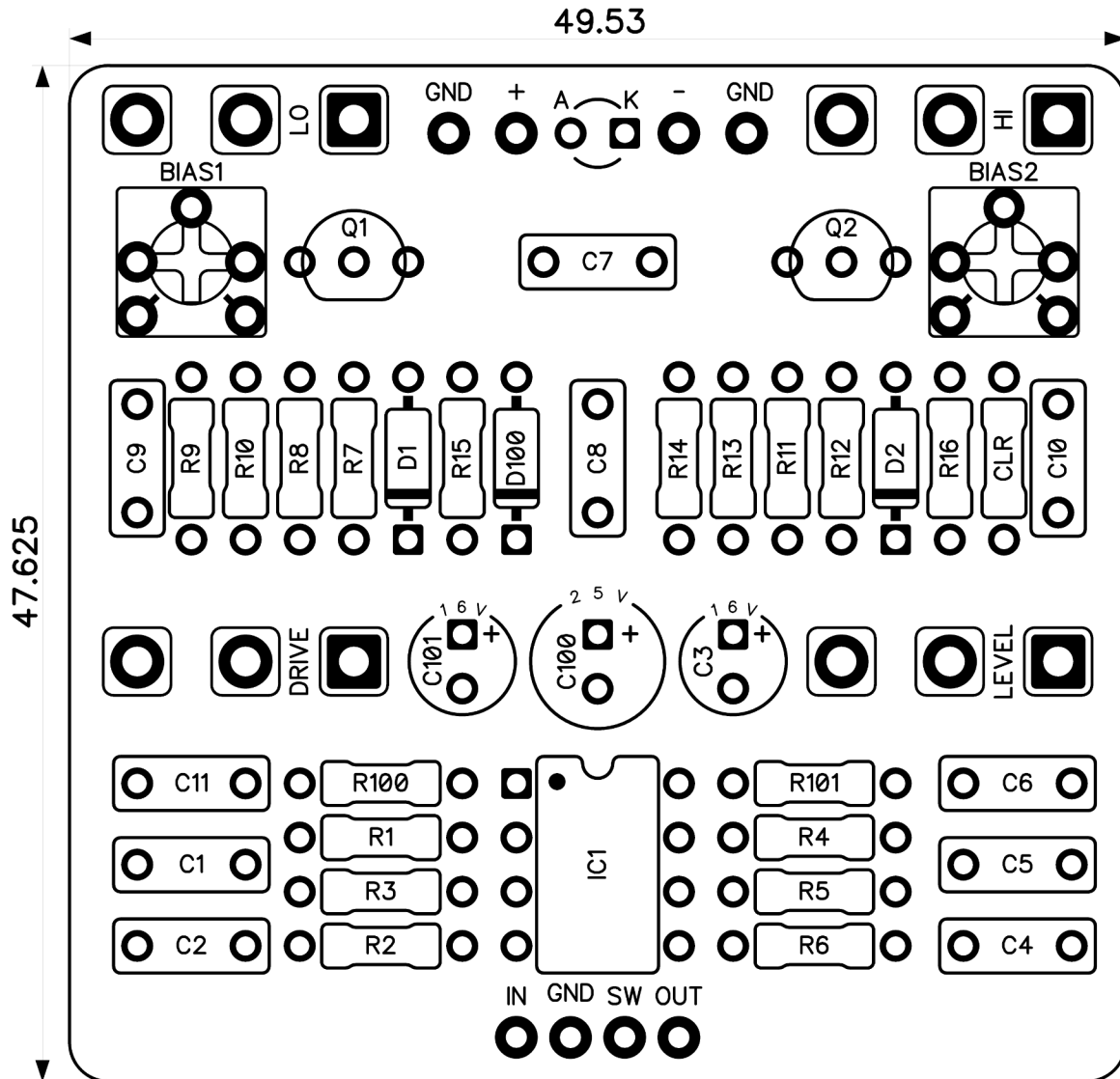


PedalPCB

MOSFET Driver

Revised 5/13/24



CONTROLS AND FEATURES

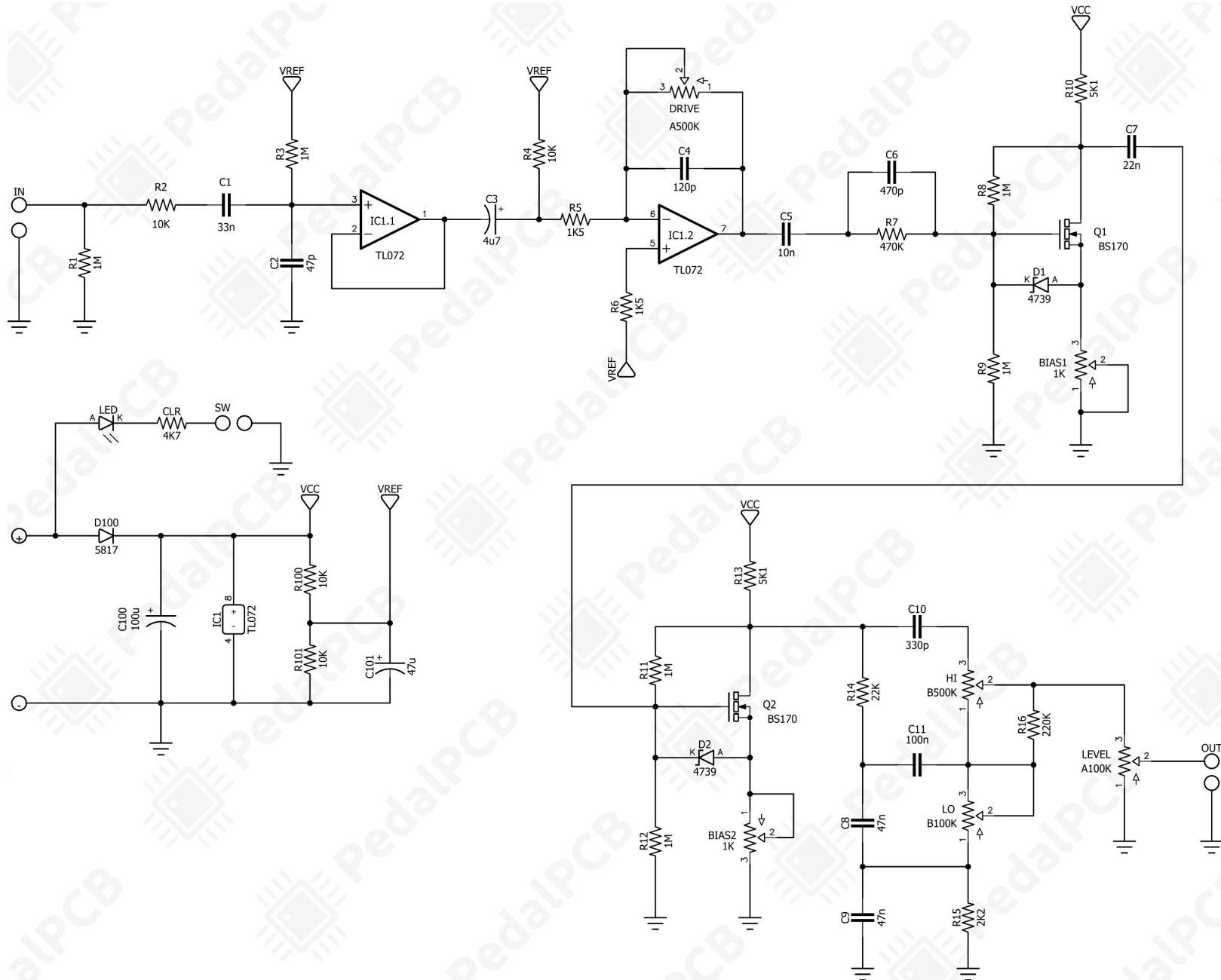
- Hi
- Lo
- Level
- Drive

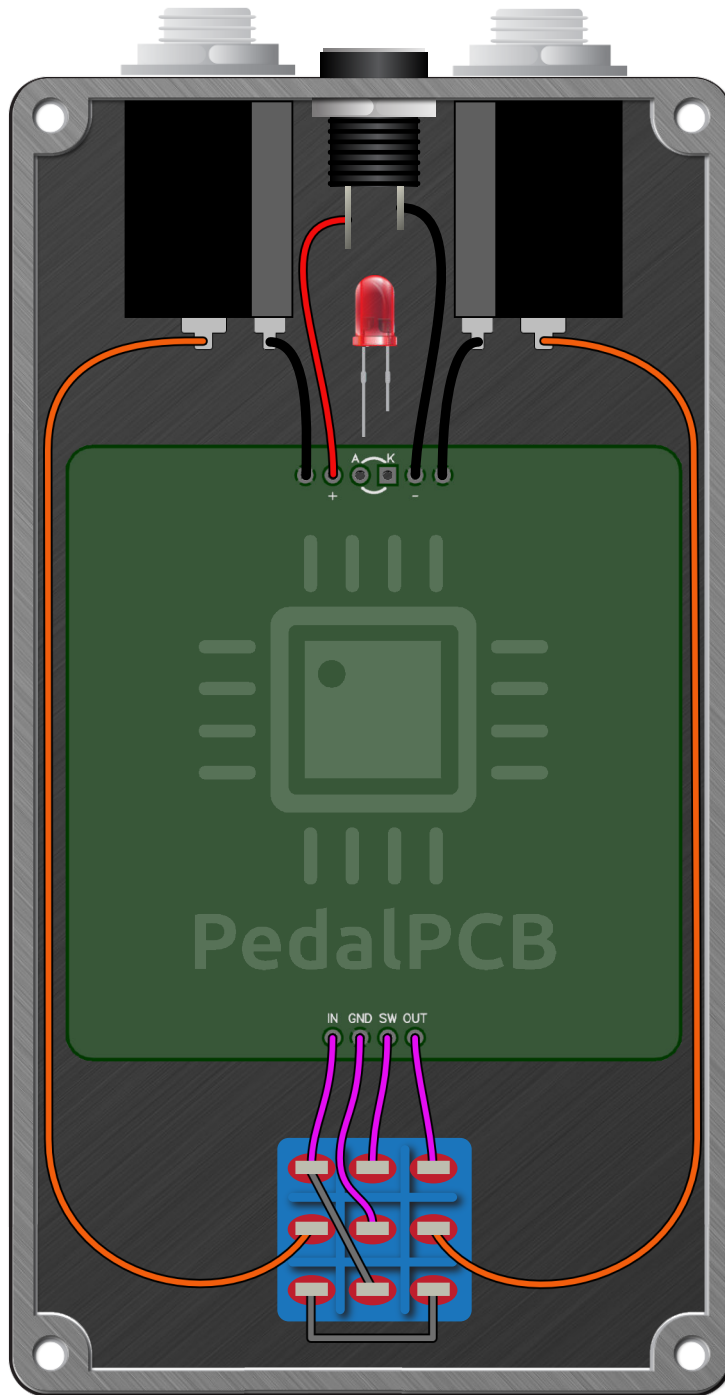
All trademarks and registered trademarks are the property of their respective owners. The company, product, and service names used in this web site are for identification purposes only. Use of these names, logos, and brands does not imply endorsement.

LOCATION	VALUE	TYPE	NOTES
R1	1M	Resistor, 1/4W	
R2	10K	Resistor, 1/4W	
R3	1M	Resistor, 1/4W	
R4	10K	Resistor, 1/4W	
R5	1K5	Resistor, 1/4W	
R6	1K5	Resistor, 1/4W	
R7	470K	Resistor, 1/4W	
R8	1M	Resistor, 1/4W	
R9	1M	Resistor, 1/4W	
R10	5K1	Resistor, 1/4W	
R11	1M	Resistor, 1/4W	
R12	1M	Resistor, 1/4W	
R13	5K1	Resistor, 1/4W	
R14	22K	Resistor, 1/4W	
R15	2K2	Resistor, 1/4W	
R16	220K	Resistor, 1/4W	
R100	10K	Resistor, 1/4W	
R101	10K	Resistor, 1/4W	
CLR	4K7	Resistor, 1/4W	* LED current limiting resistor
C1	33n	Film capacitor, 7.2 x 2.5mm	
C2	47p	Ceramic capacitor	
C3	4u7	Electrolytic capacitor, 5mm	
C4	120p	Ceramic capacitor	
C5	10n	Film capacitor, 7.2 x 2.5mm	
C6	470p	Ceramic capacitor	
C7	22n	Film capacitor, 7.2 x 2.5mm	
C8	47n	Film capacitor, 7.2 x 2.5mm	
C9	47n	Film capacitor, 7.2 x 2.5mm	
C10	330p	Ceramic capacitor	
C11	100n	Film capacitor, 7.2 x 2.5mm	
C100	100u	Electrolytic capacitor, 5mm	
C101	47u	Electrolytic capacitor, 5mm	
D1	1N4739	Zener diode 1W, 9.1V	
D2	1N4739	Zener diode 1W, 9.1V	
D100	1N5817	Schottky diode, DO-41	
Q1	BS170	N-Channel MOSFET	
Q2	BS170	N-Channel MOSFET	
IC1	TL072	Dual op-amp, DIP8	
BIAS1	1K	Trimmer potentiometer, 3362P type	
BIAS2	1K	Trimmer potentiometer, 3362P type	
HI	B500K	16mm right-angle PCB mount pot	
LO	B100K	16mm right-angle PCB mount pot	
LEVEL	A100K	16mm right-angle PCB mount pot	
DRIVE	A500K	16mm right-angle PCB mount pot	

MOSFET Driver

Schematic Diagram





MOSFET Driver

Drill Template
125B Enclosure

