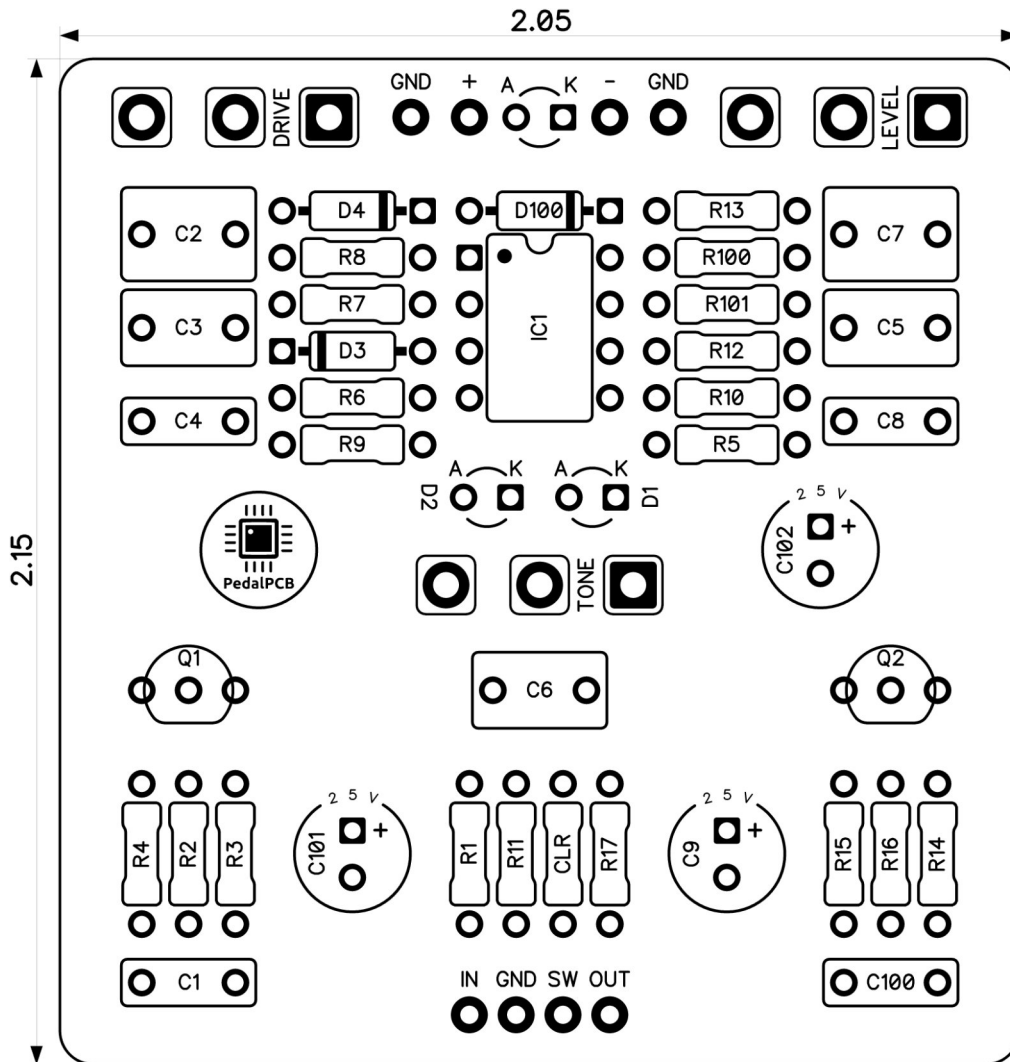




# Mean Green Metal Machine

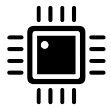
Revised 5/7/23



## CONTROLS AND FEATURES

- Level
- Tone
- Drive

All trademarks and registered trademarks are the property of their respective owners. The company, product, and service names used in this web site are for identification purposes only. Use of these names, logos, and brands does not imply endorsement.



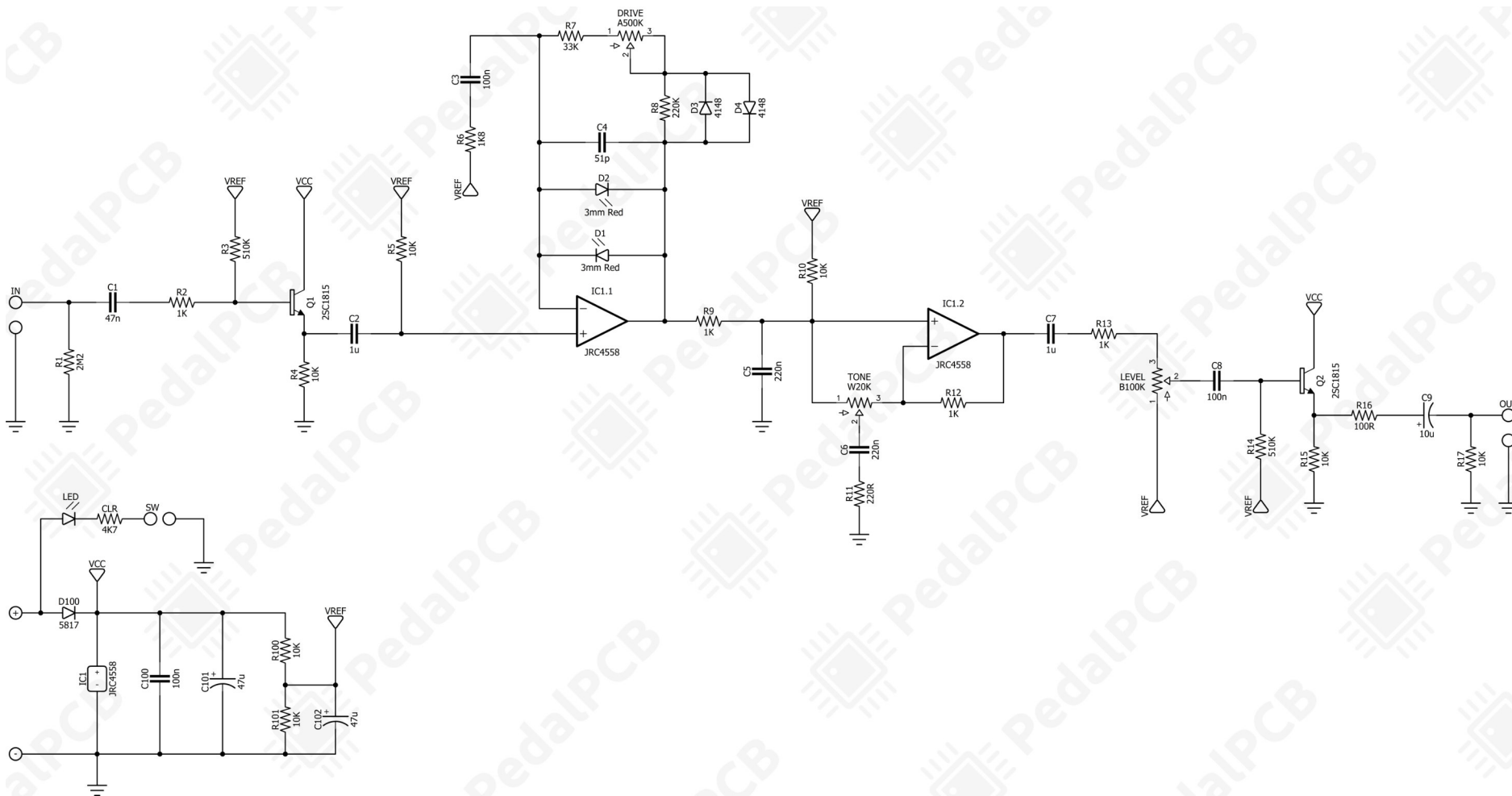
# PedalPCB Mean Green Metal Machine

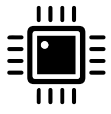
Parts List (Page 1 of 1)

LOCATION	VALUE	TYPE	NOTES
R1	2M2	Resistor, 1/4W	
R2	1K	Resistor, 1/4W	
R3	510K	Resistor, 1/4W	
R4	10K	Resistor, 1/4W	
R5	10K	Resistor, 1/4W	
R6	1K8	Resistor, 1/4W	
R7	33K	Resistor, 1/4W	
R8	220K	Resistor, 1/4W	
R9	1K	Resistor, 1/4W	
R10	10K	Resistor, 1/4W	
R11	220R	Resistor, 1/4W	
R12	1K	Resistor, 1/4W	
R13	1K	Resistor, 1/4W	
R14	510K	Resistor, 1/4W	
R15	10K	Resistor, 1/4W	
R16	100R	Resistor, 1/4W	
R17	10K	Resistor, 1/4W	
R100	10K	Resistor, 1/4W	
R101	10K	Resistor, 1/4W	
CLR	4K7	Resistor, 1/4W	* LED current limiting resistor
C1	47n	Film capacitor, 7.2 x 2.5mm	
C2	1u	Film capacitor, 7.2 x 5.0mm	
C3	100n	Film capacitor, 7.2 x 2.5mm	
C4	51p	Film capacitor, 7.2 x 2.5mm	
C5	220n	Film capacitor, 7.2 x 5.0mm	
C6	220n	Film capacitor, 7.2 x 5.0mm	
C7	1u	Film capacitor, 7.2 x 5.0mm	
C8	100n	Film capacitor, 7.2 x 2.5mm	
C9	10u	Electrolytic capacitor, 5mm	
C100	100n	Film capacitor, 7.2 x 2.5mm	
C101	47u	Electrolytic capacitor, 5mm	
C102	47u	Electrolytic capacitor, 5mm	
D1	3mm Red	3mm Red LED, Diffused	
D2	3mm Red	3mm Red LED, Diffused	
D3	1N4148	Signal diode, DO-35	
D4	1N4148	Signal diode, DO-35	
D100	1N5817	Schottky diode, DO-41	
Q1	2SC1815	BJT transistor, NPN TO-92	
Q2	2SC1815	BJT transistor, NPN TO-92	
IC1	JRC4558	Dual op-amp, DIP8	
LEVEL	B100K	16mm right-angle PCB mount pot	
TONE	W20K	16mm right-angle PCB mount pot	
DRIVE	A500K	16mm right-angle PCB mount pot	

# Mean Green Metal Machine

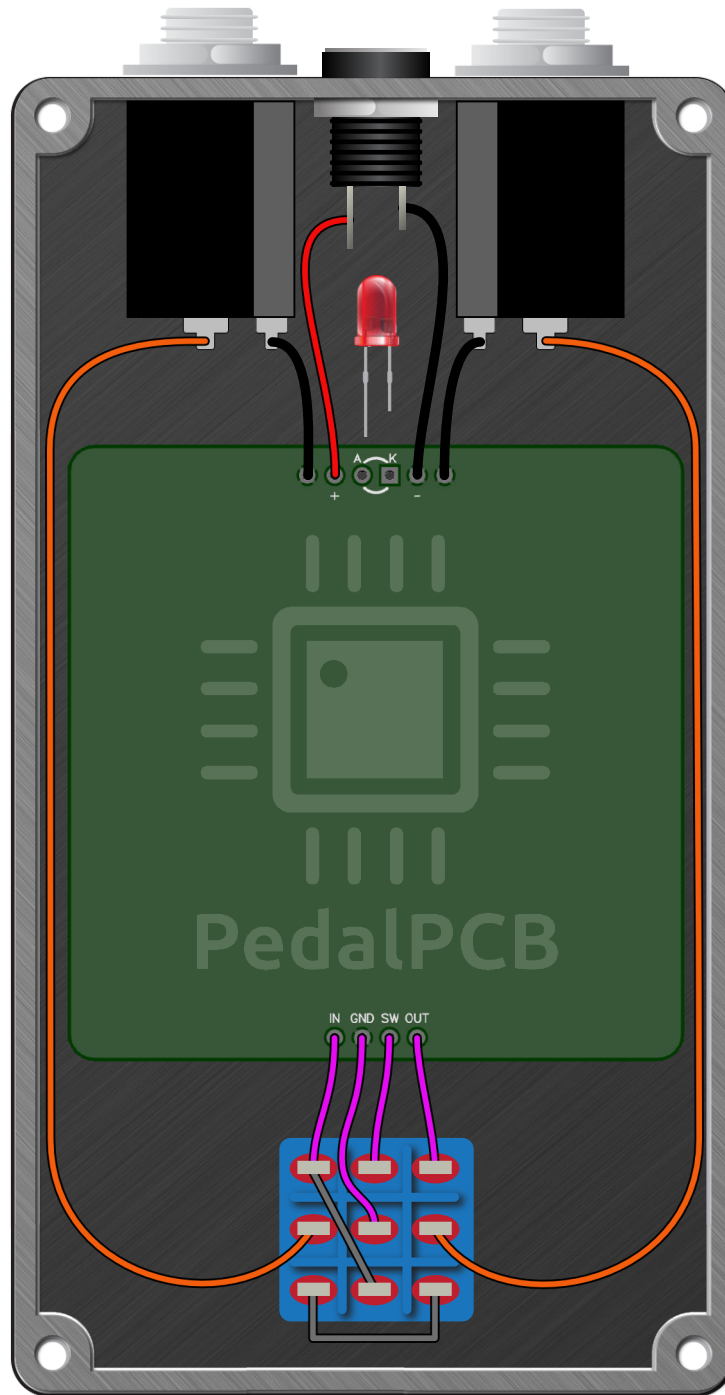
Schematic Diagram

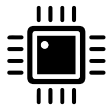




# PedalPCB Mean Green Metal Machine

Wiring Diagram





# PedalPCB Mean Green Metal Machine

Drill Template  
125B Enclosure

