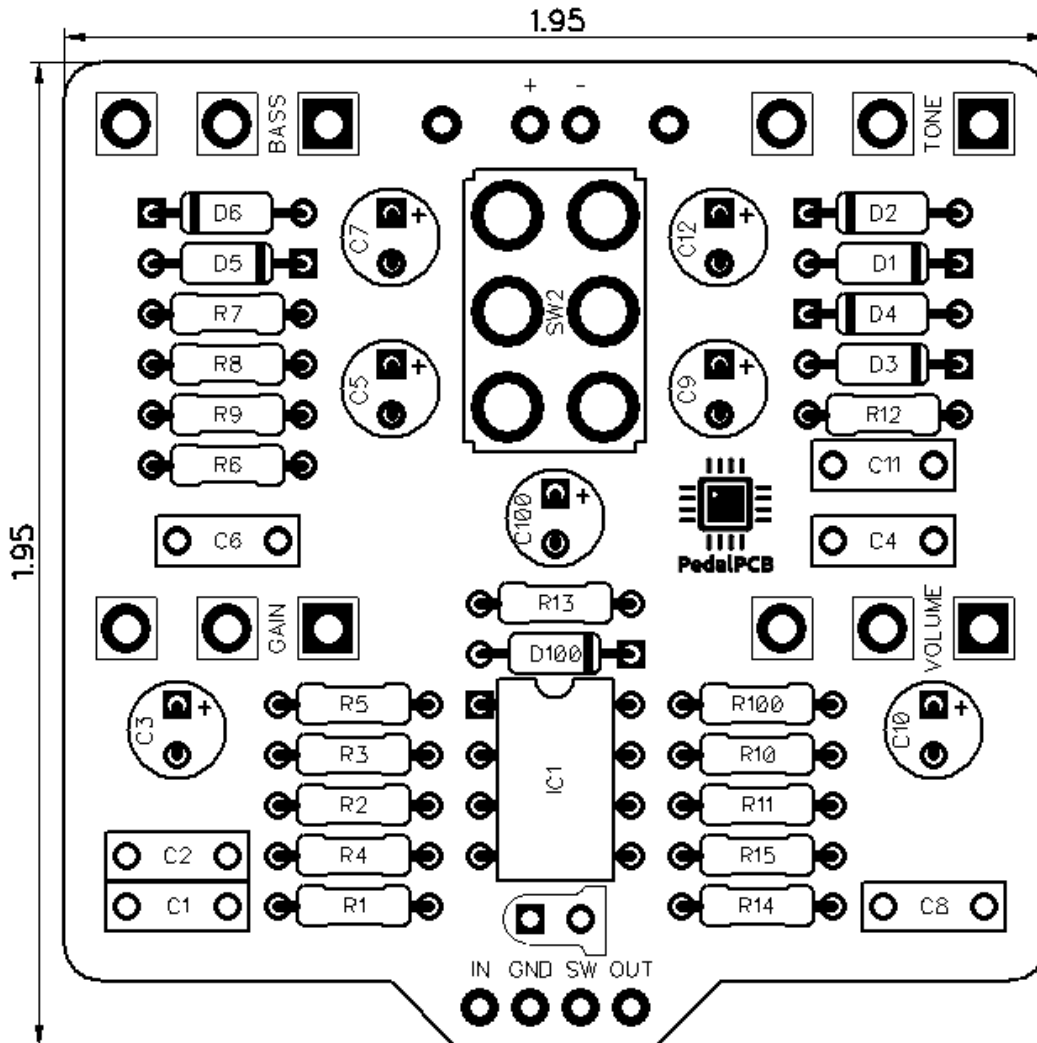




# PedalPCB

## MDMA OD

Revision 11.05.18



### Controls

- **Volume** – Controls the overall output volume
- **Gain** – Controls amount of distortion
- **Tone** – Controls the post-gain high frequencies
- **Bass** – Controls the pre-gain bass frequencies
- **Voice (Toggle)** – Toggles between Smooth / Open / Crunch voicing

All trademarks and registered trademarks are the property of their respective owners. The company, product, and service names used in this web site are for identification purposes only. Use of these names, logos, and brands does not imply endorsement.

# MDMA OD

## Parts List

### RESISTORS (1/4W)

R1 1M  
R2 470K  
R3 100K  
R4 100K  
R5 47K  
R6 10K  
R7 100K  
R8 100K  
R9 1K  
R10 47K  
R11 33K  
R12 1K  
R13 100K  
R14 100K  
R15 470K  
R100 4K7

### CAPACITORS

C1 100p  
C2 22n  
C3 10u  
C4 100p  
C5 10u  
C6 47n  
C7 2u2  
C8 100p  
C9 2u2  
C10 1u  
C11 22n  
C12 10u  
C100 100u

### SWITCHES

DPDT On/Off/On

### INTEGRATED CIRCUITS

IC1 MC1458P

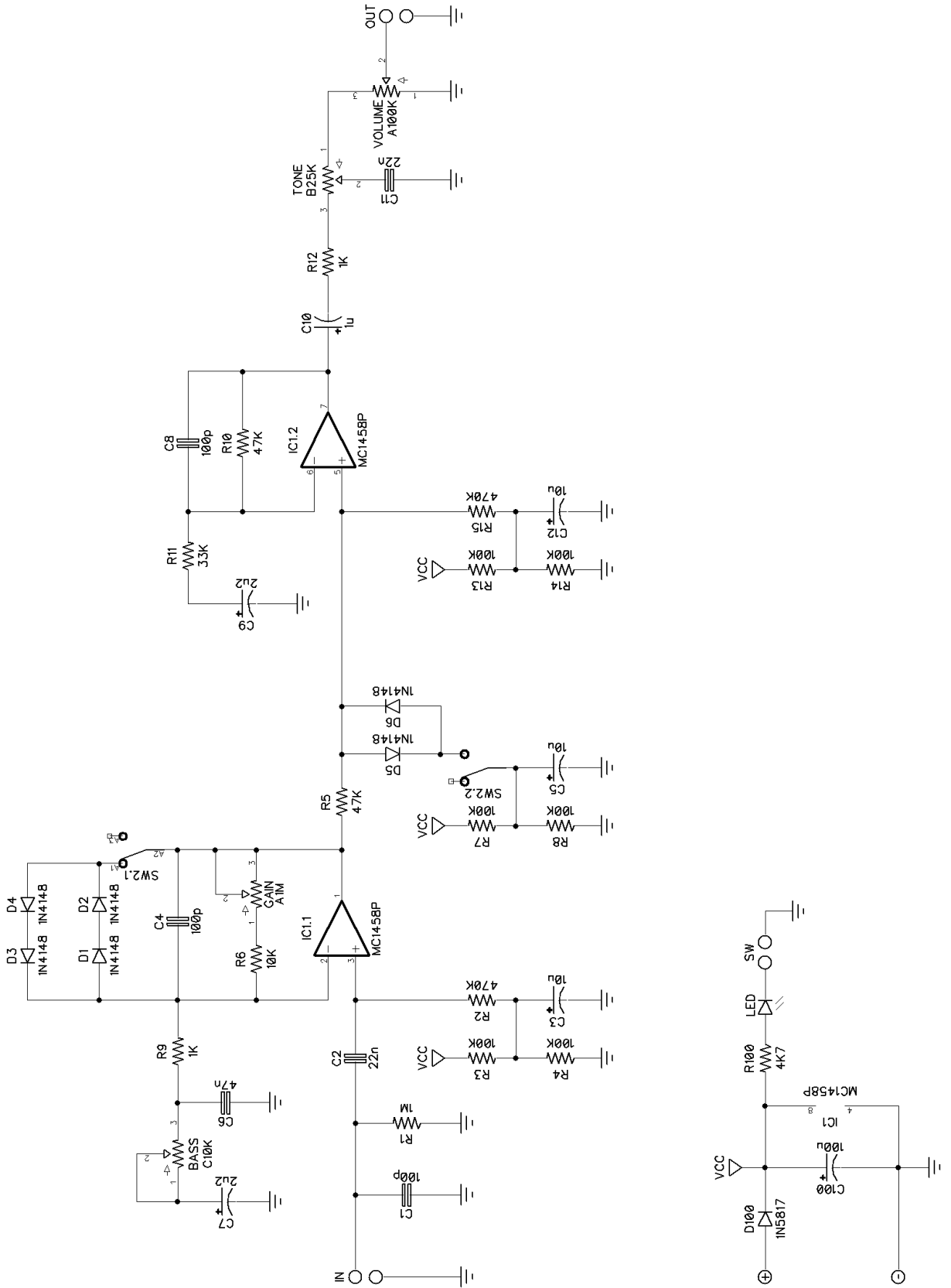
### DIODES

D1 1N4148  
D2 1N4148  
D3 1N4148  
D4 1N4148  
D5 1N4148  
D6 1N4148  
D100 1N5817

### POTENTIOMETERS

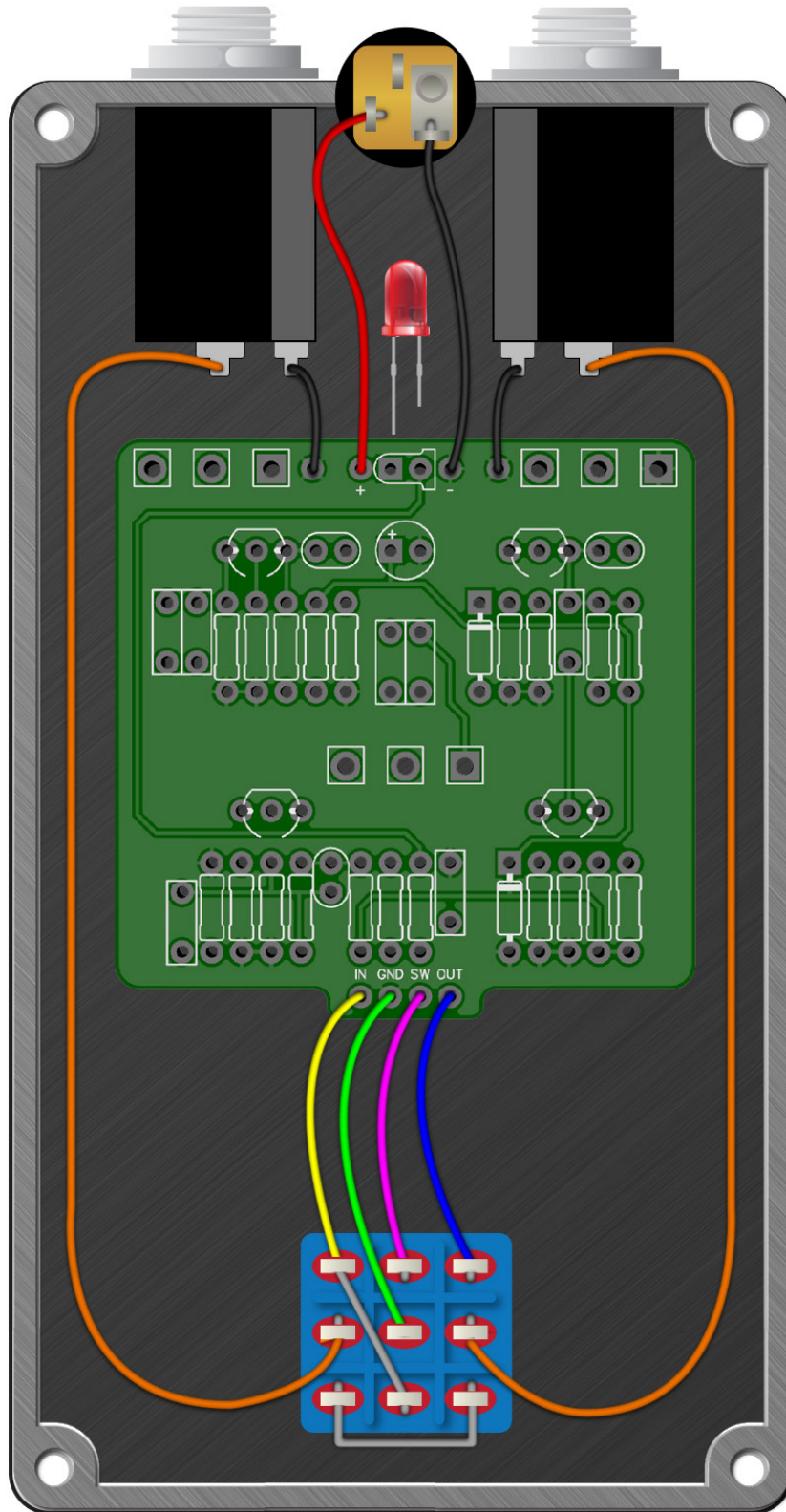
VOLUME A100K  
TONE B25K  
BASS C10K  
GAIN A1M

# PedalPCB MDMA OD



# MDMA OD

Wiring Diagram



# MDMA OD

Drill Template  
125B enclosure with top mounted jacks

