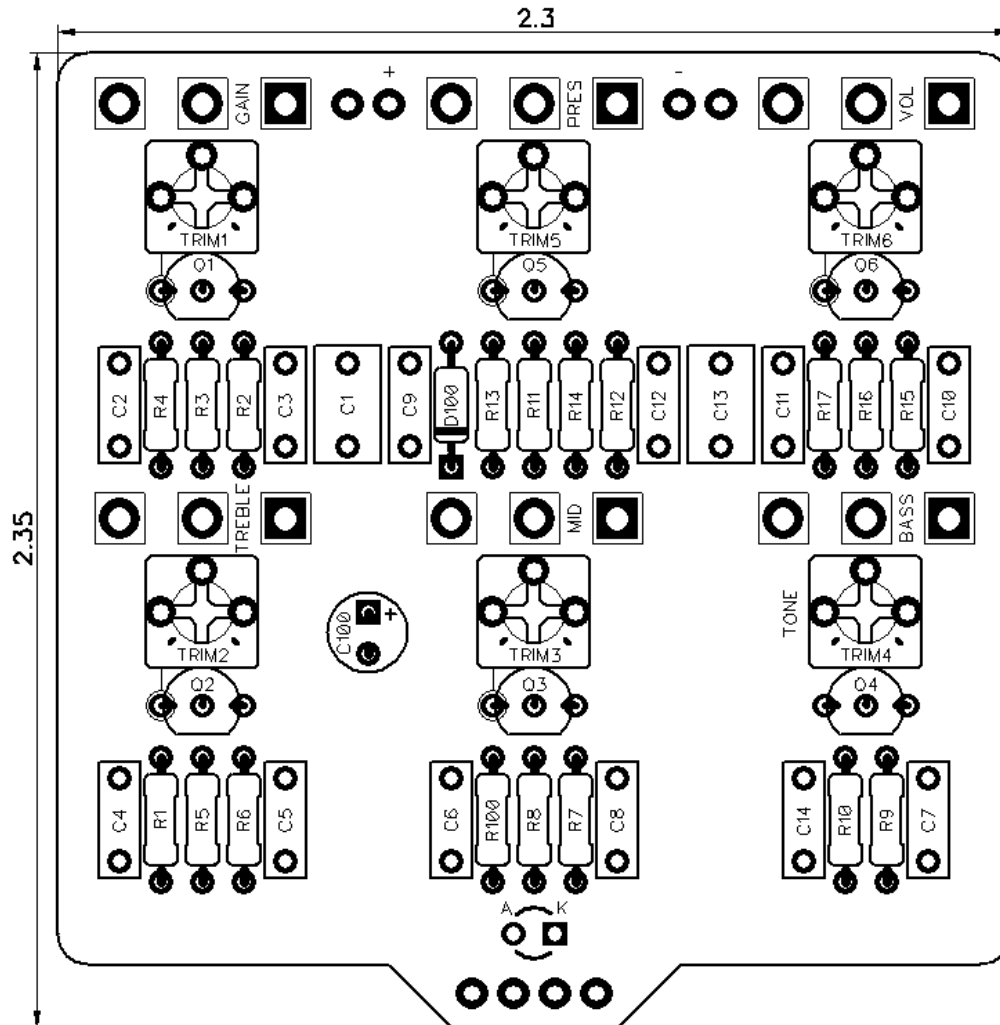




PedalPCB

M800 Overdrive

Revision 08.30.19



Controls

- Volume
- Gain
- Presence
- Treble
- Mid
- Bass

All trademarks and registered trademarks are the property of their respective owners. The company, product, and service names used in this web site are for identification purposes only. Use of these names, logos, and brands does not imply endorsement.

M800 Overdrive

Parts List

RESISTORS (1/4W)

R1	1M
R2	68K
R3	2K7
R4	470K
R5	10K
R6	470K
R7	470K
R8	820R
R9	10K
R10	33K
R11	470R
R12	4K7
R13	4K7
R14	1M
R15	220K
R16	1K
R17	100K
R100	4K7

CAPACITORS

C1	680n
C2	22n
C3	470p
C4	22n
C5	470p
C6	470p
C7	22n
C8	22n
C9	22n
C10	22n
C11	2n2
C12	100n
C13	470n
C14	10n
C100	100u

TRANSISTORS

Q1	J201
Q2	J201
Q3	J201
Q4	J201
Q5	J201
Q6	J201

DIODES

D100	1N5817
------	--------

POTENTIOMETERS

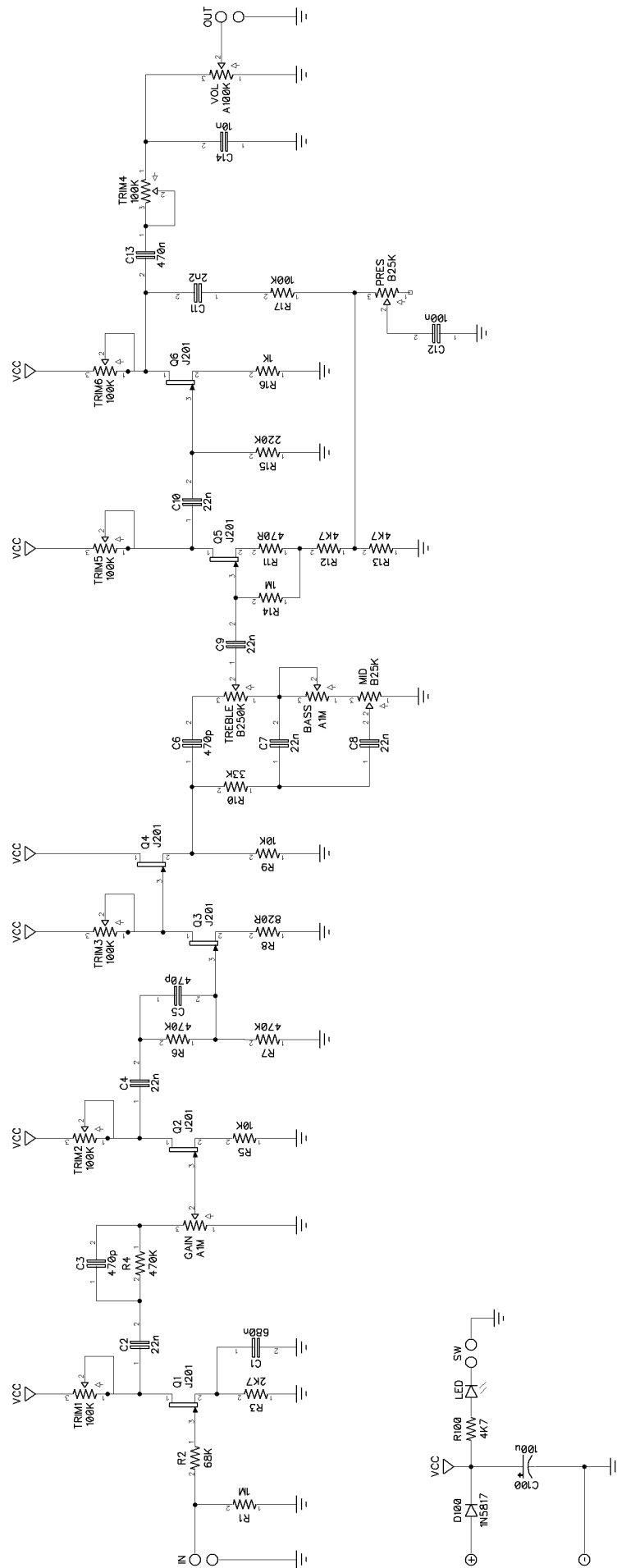
VOL	A100K
GAIN	A1M
TREBLE	B250K
MID	B25K
BASS	A1M
PRES	B25K

TRIM POTS

TRIM1	100K
TRIM2	100K
TRIM3	100K
TRIM4	100K
TRIM5	100K
TRIM6	100K

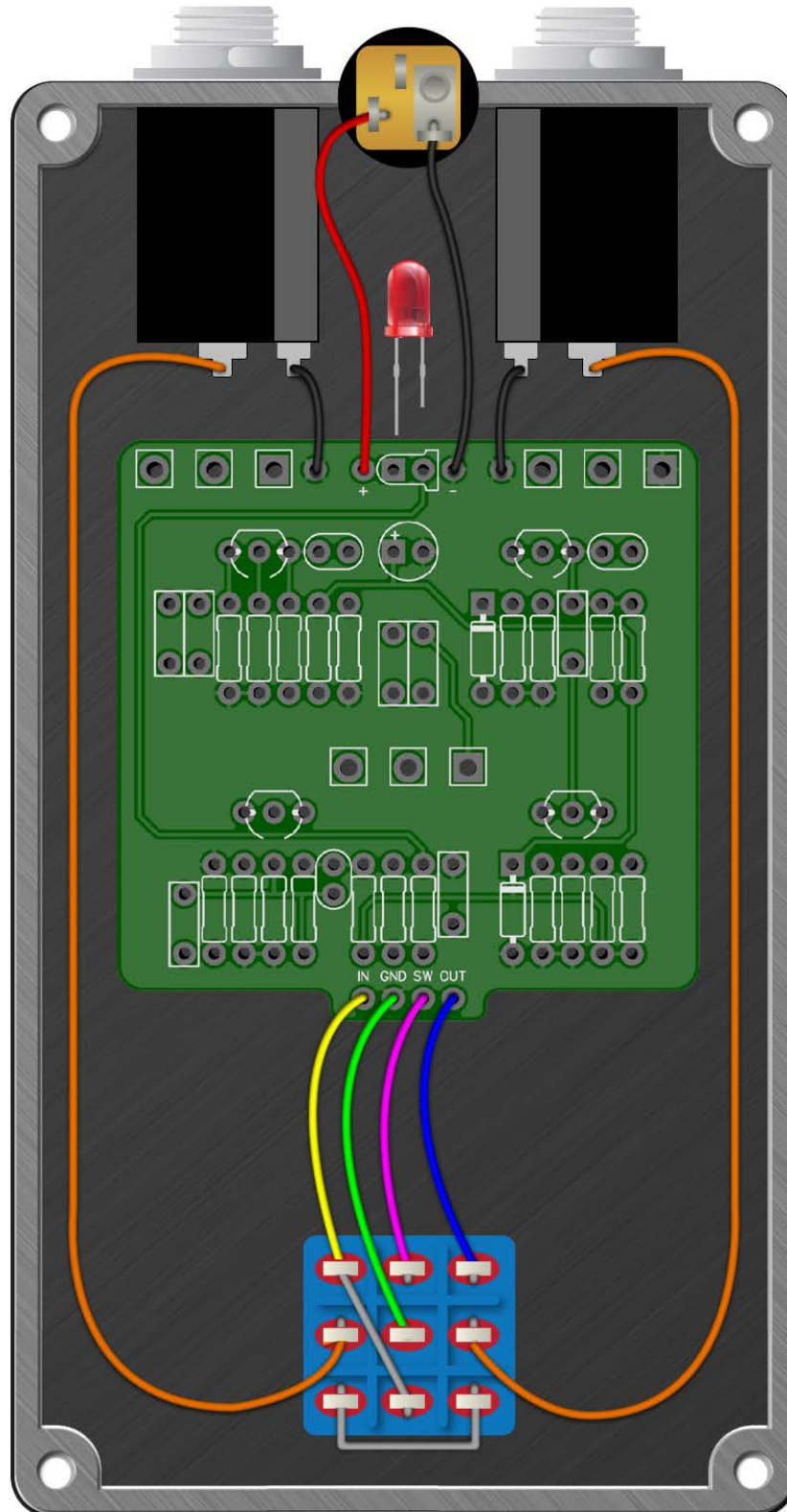


M800 Overdrive



M800 Overdrive

Wiring Diagram



M800 Overdrive

Drill Template
125B enclosure with top mounted jacks

