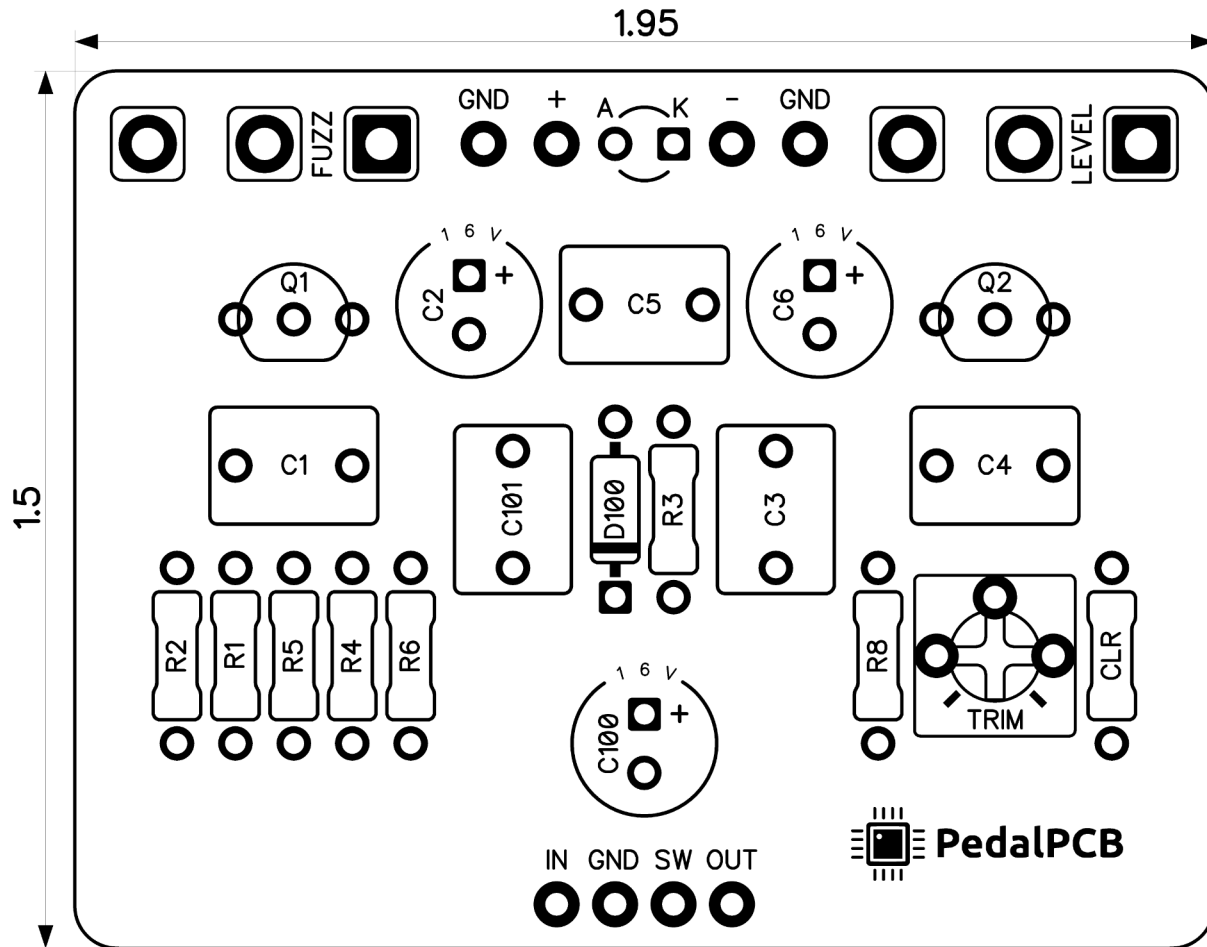




PedalPCB

Loft Fuzz (Red)

Revised 8/12/23



CONTROLS AND FEATURES

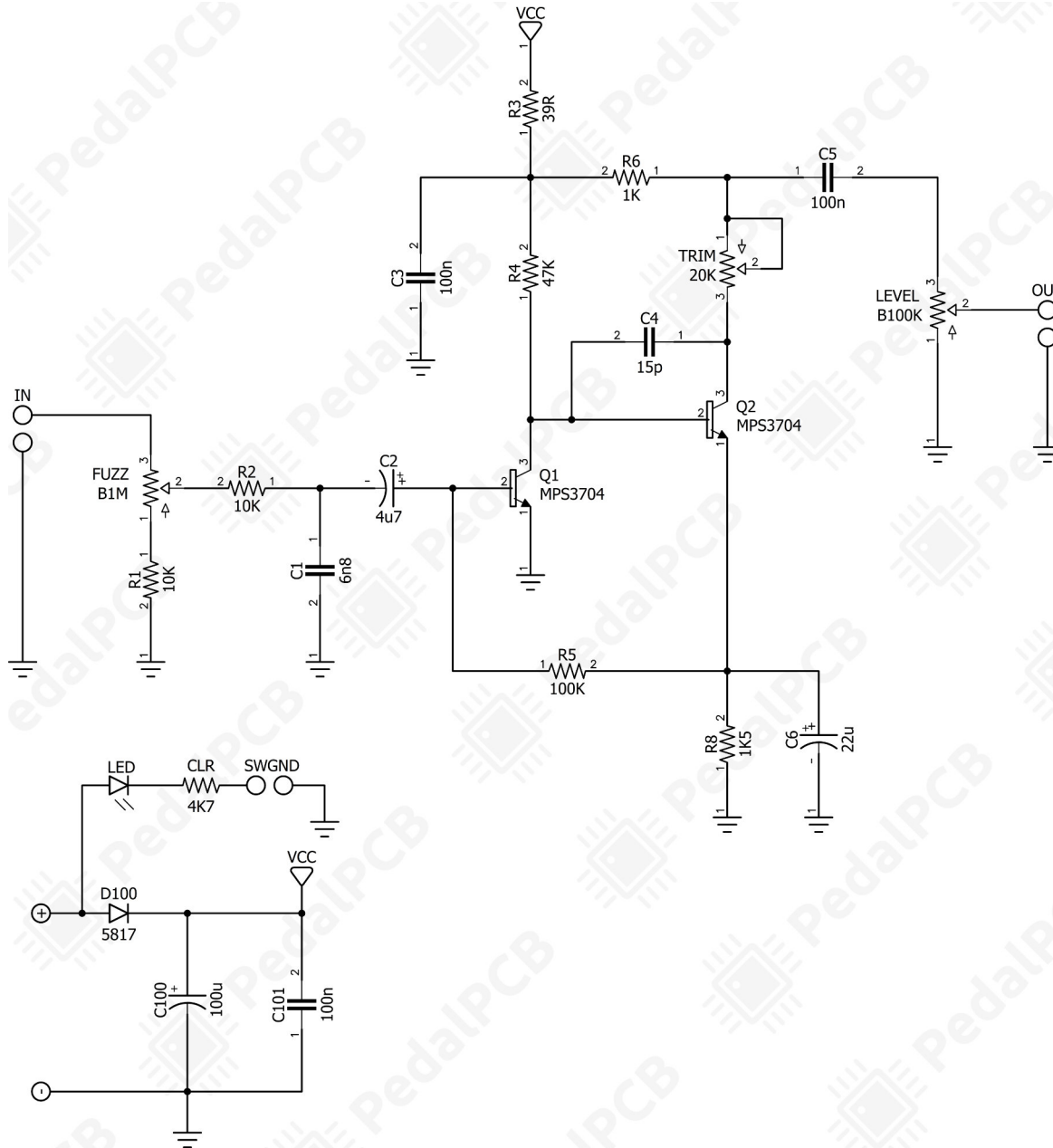
- Level
- Fuzz

All trademarks and registered trademarks are the property of their respective owners. The company, product, and service names used in this web site are for identification purposes only. Use of these names, logos, and brands does not imply endorsement.

LOCATION	VALUE	TYPE	NOTES
R1	10K	Resistor, 1/4W	
R2	10K	Resistor, 1/4W	
R3	39R	Resistor, 1/4W	
R4	47K	Resistor, 1/4W	
R5	100K	Resistor, 1/4W	
R6	1K	Resistor, 1/4W	
R8	1K5	Resistor, 1/4W	
CLR	4K7	Resistor, 1/4W	* LED current limiting resistor
C1	6n8	Film capacitor, 7.2 x 2.5mm	
C2	4u7	Electrolytic capacitor, 5mm	
C3	100n	Film capacitor, 7.2 x 2.5mm	
C4	15p	Ceramic capacitor	
C5	100n	Film capacitor, 7.2 x 2.5mm	
C6	22u	Electrolytic capacitor, 5mm	
C100	100u	Electrolytic capacitor, 5mm	
C101	100n	Film capacitor, 7.2 x 2.5mm	
D100	1N5817	Schottky diode, DO-41	
Q1	MPS3704	BJT transistor, NPN TO-92	
Q2	MPS3704	BJT transistor, NPN TO-92	
TRIM	20K	Trimmer potentiometer, 3362P type	
LEVEL	B100K	16mm right-angle PCB mount pot	
FUZZ	B1M	16mm right-angle PCB mount pot	

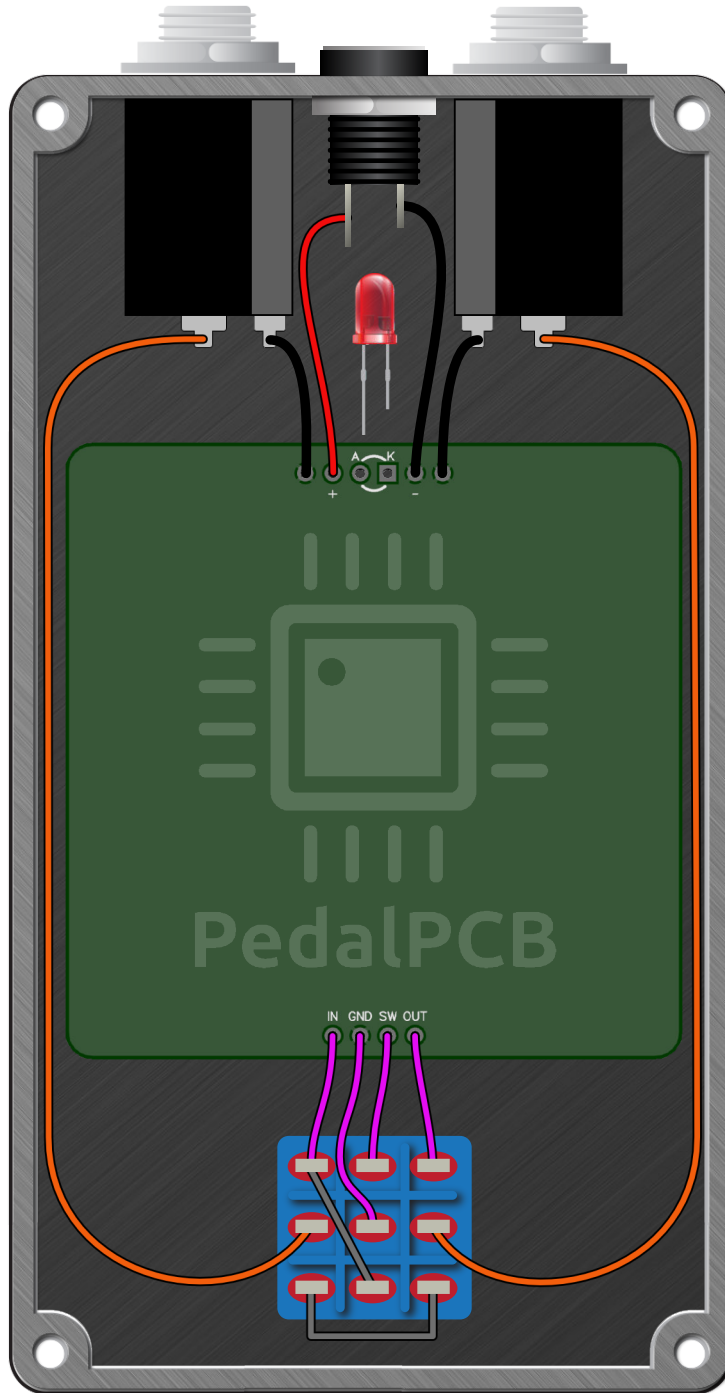
Loft Fuzz (Red)

Schematic Diagram



Loft Fuzz (Red)

Wiring Diagram



Loft Fuzz (Red)

Drill Template
125B Enclosure

