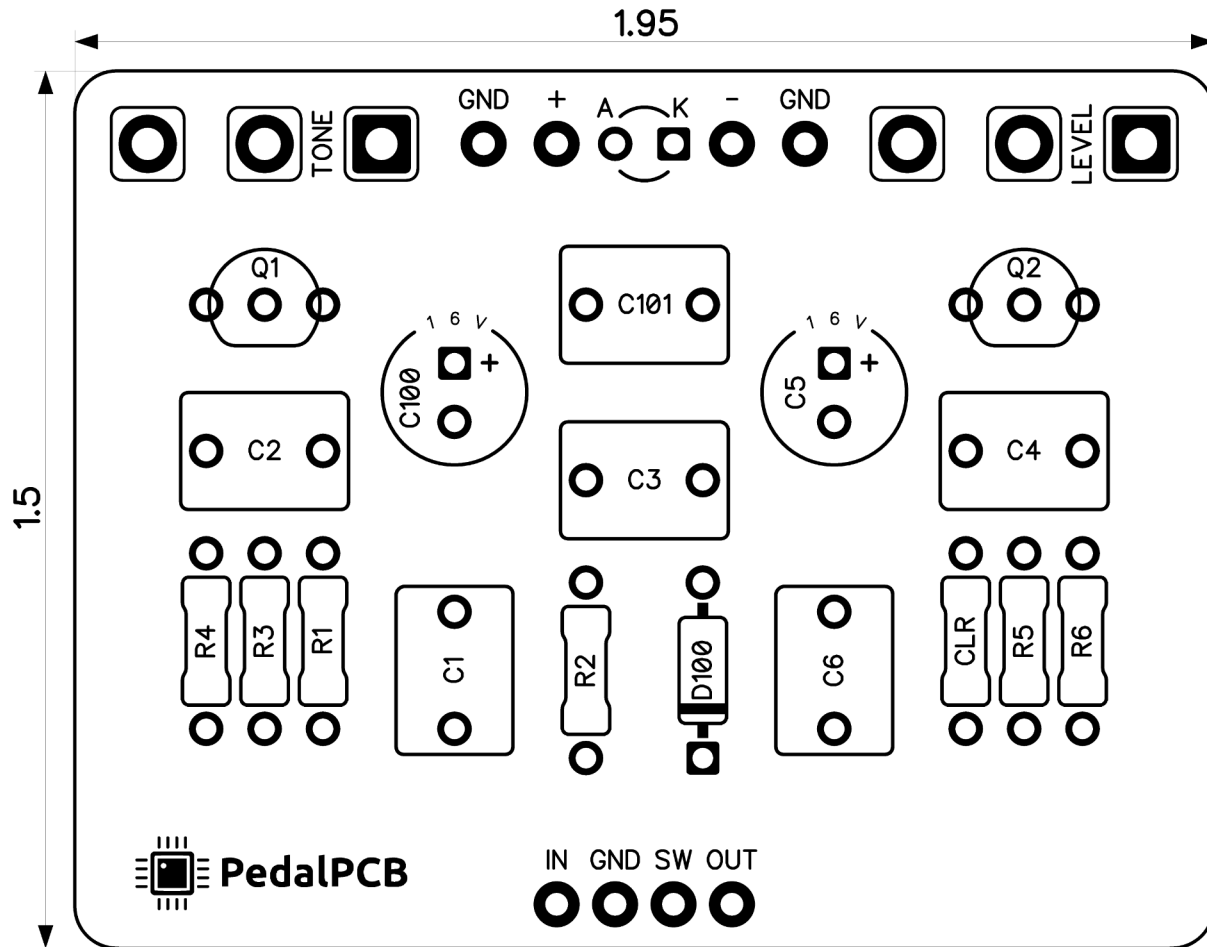


PedalPCB

Loft Fuzz (Green)

Revised 8/13/23



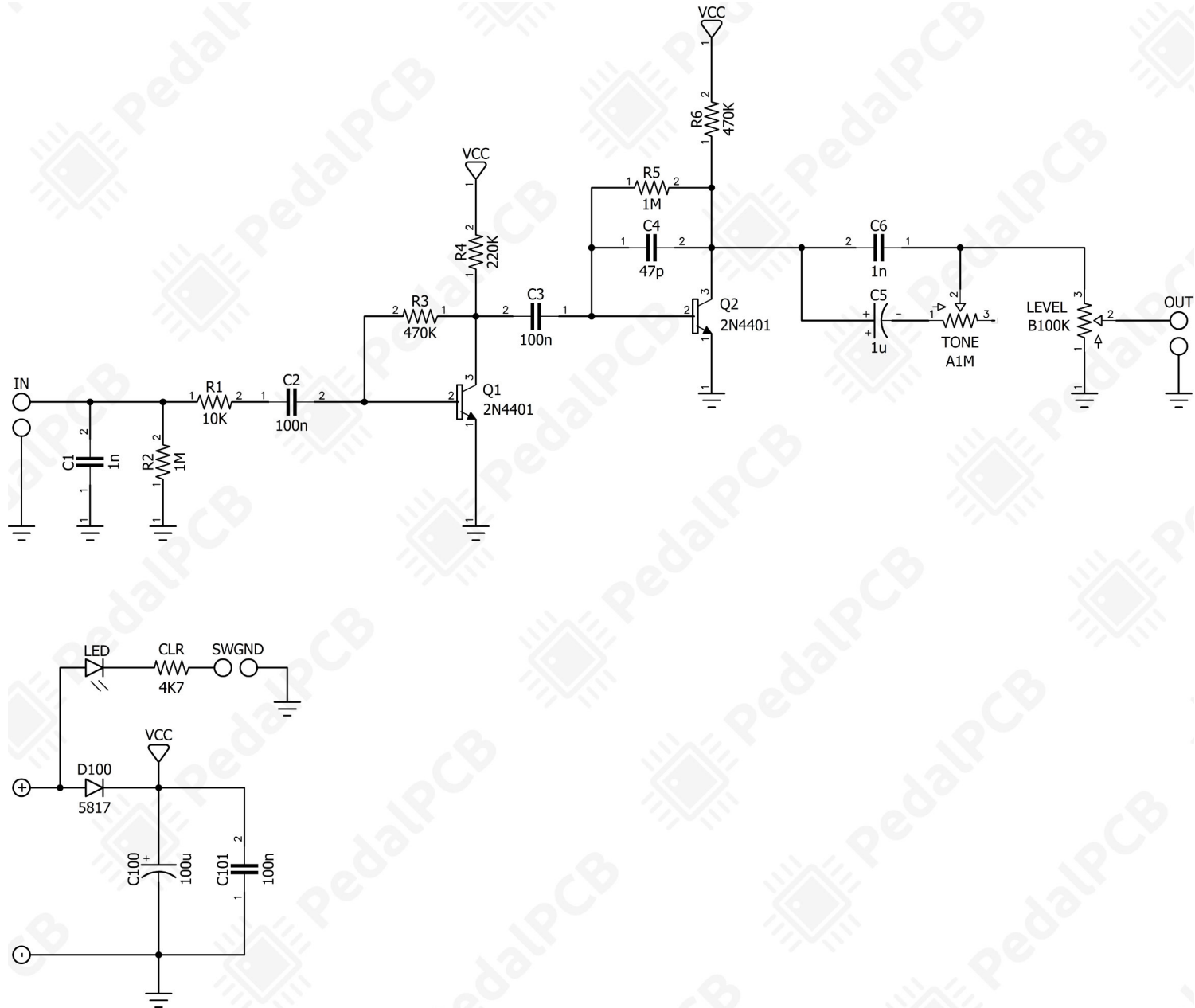
CONTROLS AND FEATURES

- Level
- Tone

All trademarks and registered trademarks are the property of their respective owners. The company, product, and service names used in this web site are for identification purposes only. Use of these names, logos, and brands does not imply endorsement.

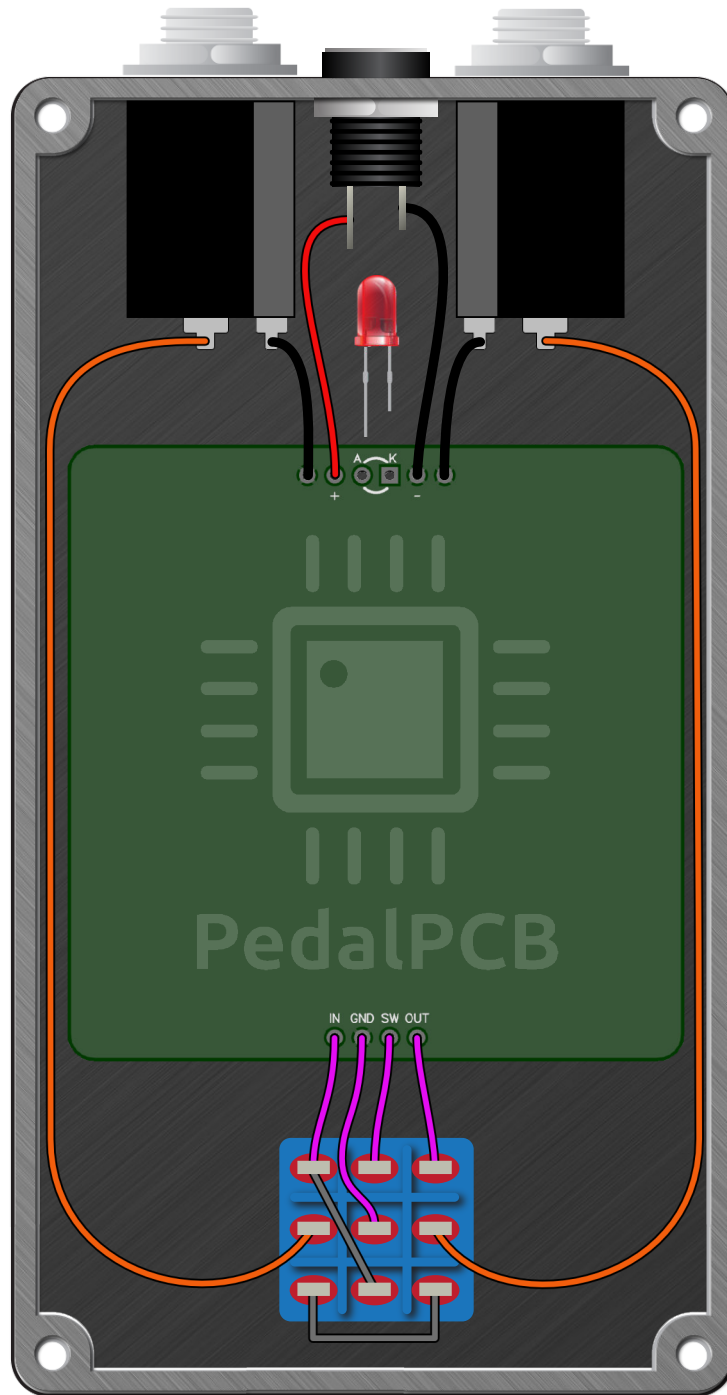
Loft Fuzz (Green)

Schematic Diagram



Loft Fuzz (Green)

Wiring Diagram



Loft Fuzz (Green)

Drill Template
125B Enclosure

