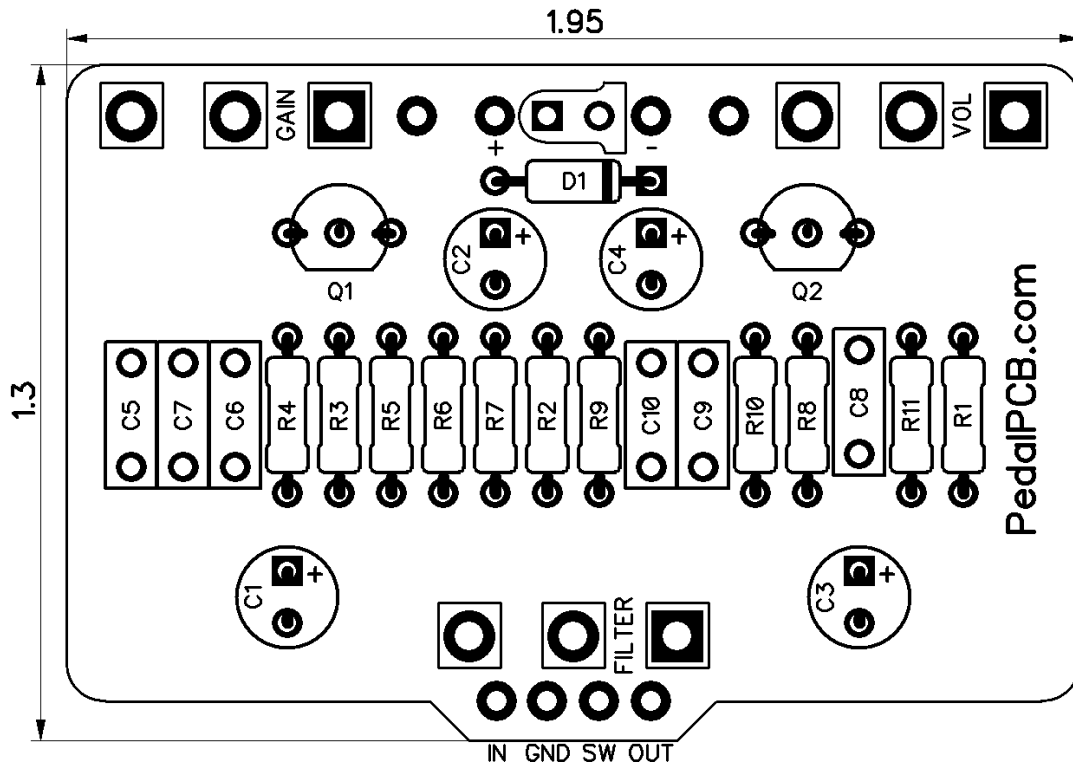


PedalPCB.com

Lemonade Overdrive

Revision 11.05.17



Resistors

R1	1M
R2	100
R3	470K
R4	22K
R5	47K
R6	1K
R7	1K
R8	1K
R9	10K
R10	6K8
R11	4K7

Capacitors

C1	4.7uF
C2	2.2uF
C3	47uF
C4	2.2uF
C5	4.7nF
C6	10pF
C7	22nF
C8	470pF
C9	22nF
C10	3.3nF

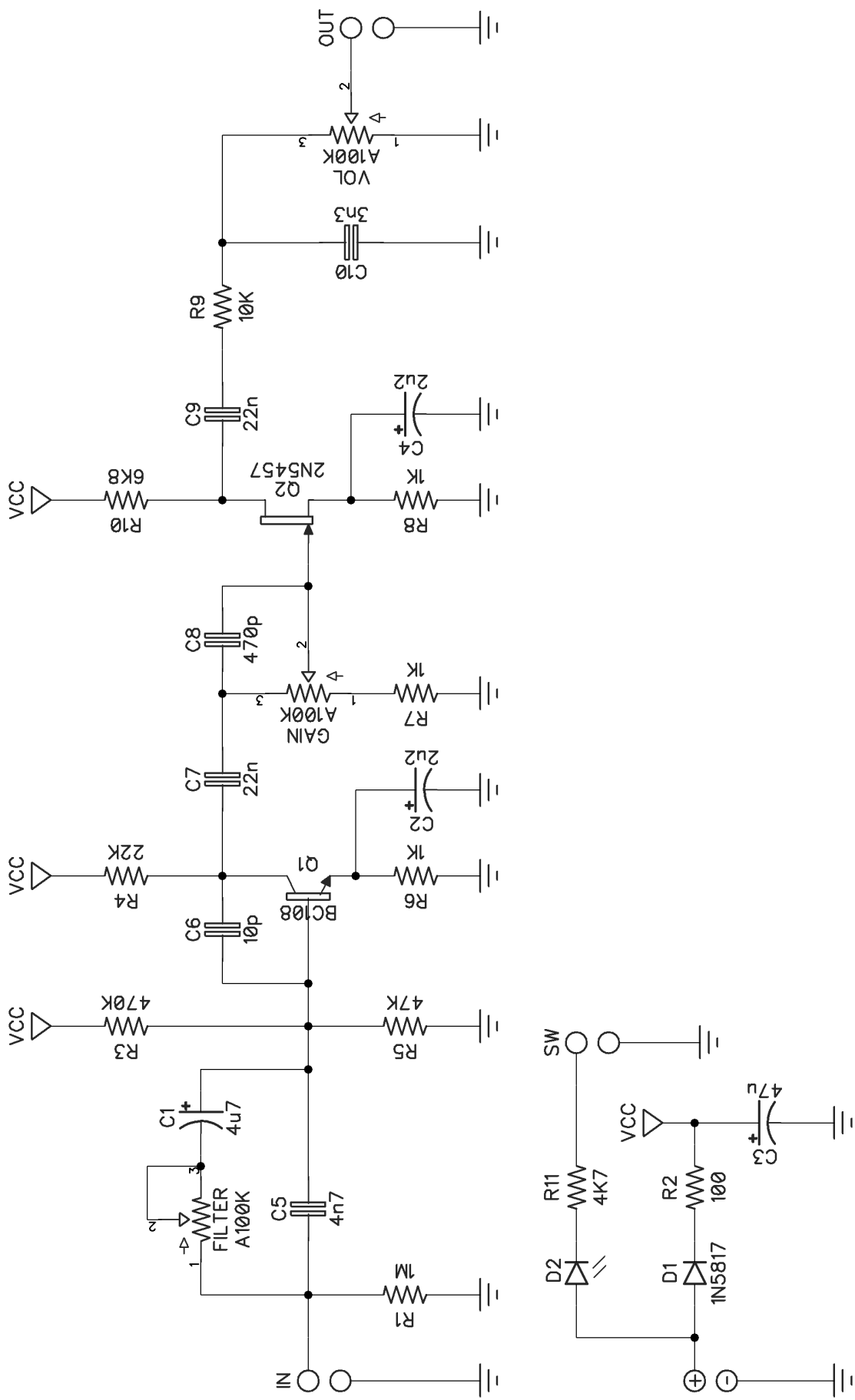
Semiconductors

Q1	BC108
Q2	2N5457
D1	1N5817
D2	3mm LED

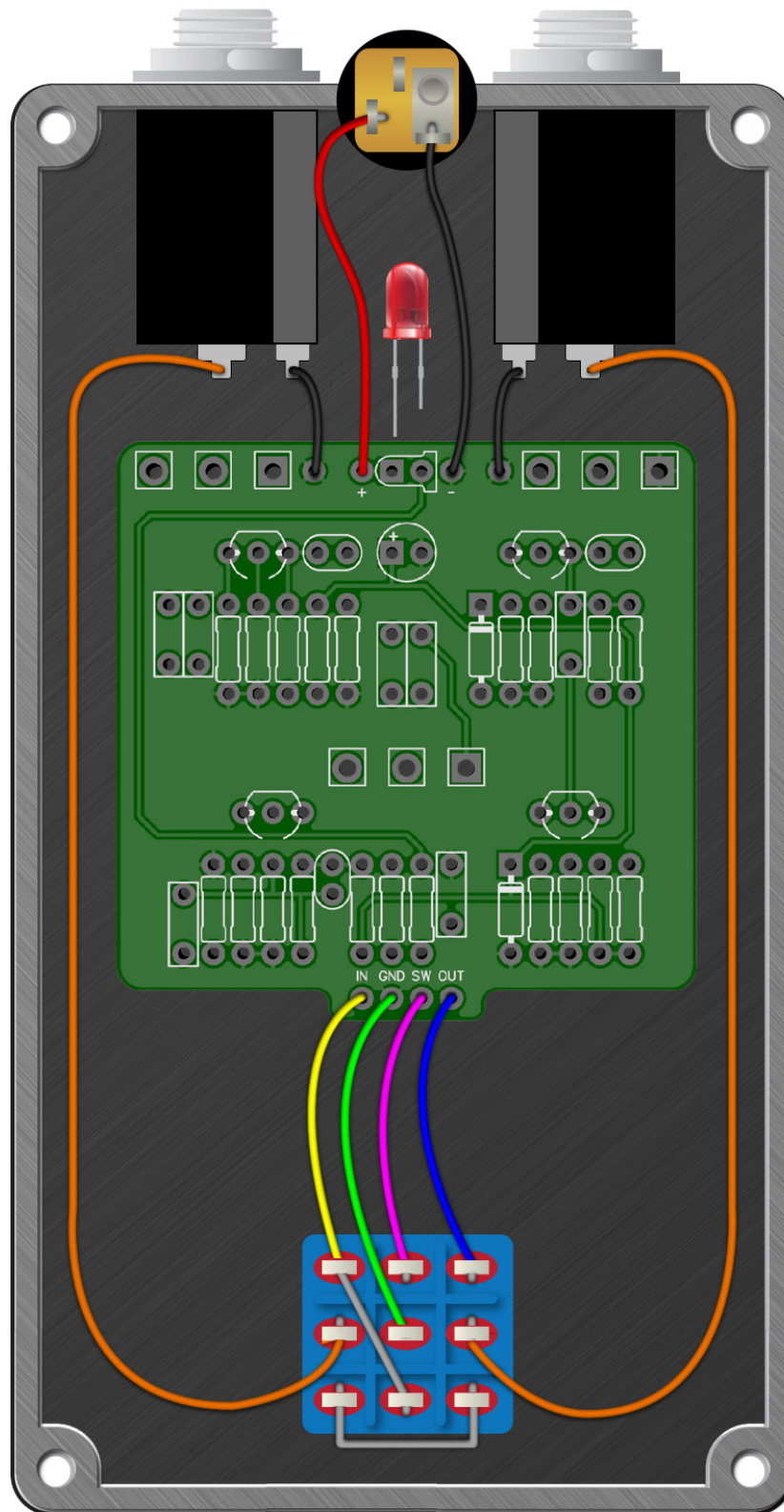
Potentiometers

GAIN	A100K
FILTER	A100K
VOL	A100K

Lemonade Overdrive



Wiring Diagram



Drill Template

4S125B enclosure with top mounted jacks

