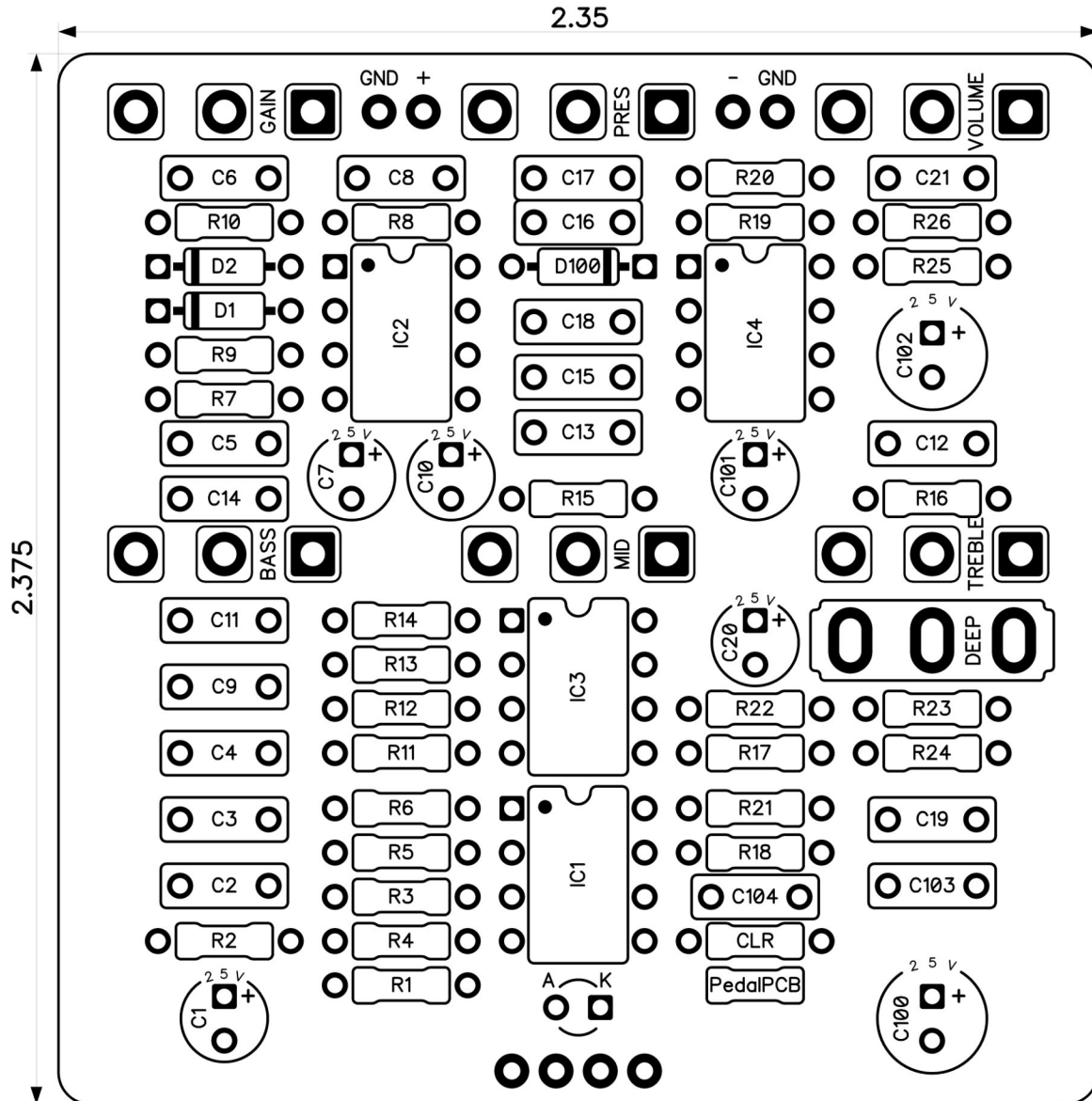




# PedalPCB

## Lead Solder Overdrive

Revised 12/30/23



### CONTROLS AND FEATURES

- Volume
- Presence
- Gain
- Treble
- Mid
- Bass
- Deep (Toggle Switch)

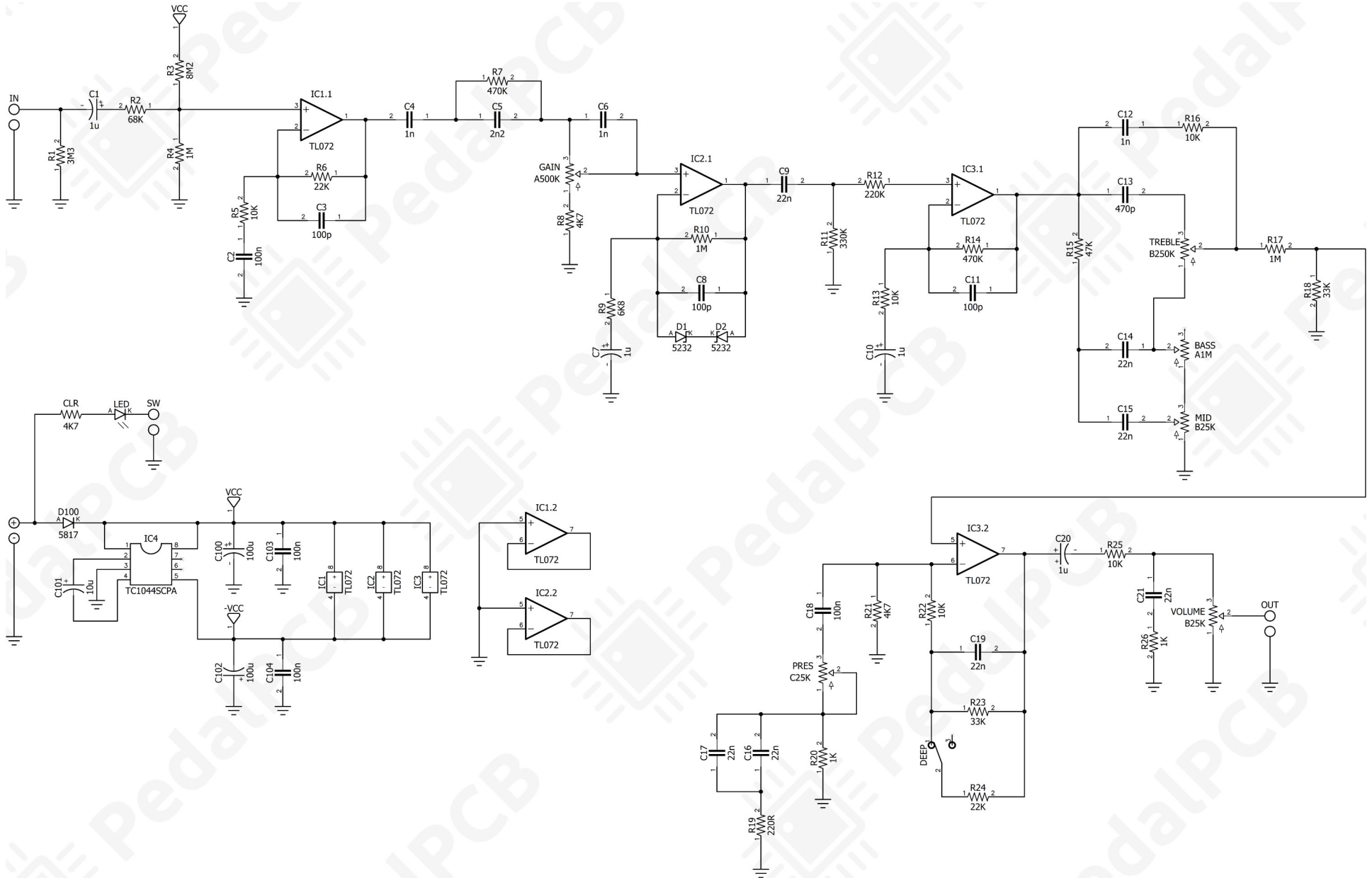
All trademarks and registered trademarks are the property of their respective owners. The company, product, and service names used in this web site are for identification purposes only. Use of these names, logos, and brands does not imply endorsement.

LOCATION	VALUE	TYPE	NOTES
R1	3M3	Resistor, 1/4W	
R2	68K	Resistor, 1/4W	
R3	8M2	Resistor, 1/4W	
R4	1M	Resistor, 1/4W	
R5	10K	Resistor, 1/4W	
R6	22K	Resistor, 1/4W	
R7	470K	Resistor, 1/4W	
R8	4K7	Resistor, 1/4W	
R9	6K8	Resistor, 1/4W	
R10	1M	Resistor, 1/4W	
R11	330K	Resistor, 1/4W	
R12	220K	Resistor, 1/4W	
R13	10K	Resistor, 1/4W	
R14	470K	Resistor, 1/4W	
R15	47K	Resistor, 1/4W	
R16	10K	Resistor, 1/4W	
R17	1M	Resistor, 1/4W	
R18	33K	Resistor, 1/4W	
R19	220R	Resistor, 1/4W	
R20	1K	Resistor, 1/4W	
R21	4K7	Resistor, 1/4W	
R22	10K	Resistor, 1/4W	
R23	33K	Resistor, 1/4W	
R24	22K	Resistor, 1/4W	
R25	10K	Resistor, 1/4W	
R26	1K	Resistor, 1/4W	
CLR	4K7	Resistor, 1/4W	* LED current limiting resistor
C1	1u	Electrolytic capacitor, 5mm	
C2	100n	Film capacitor, 7.2 x 2.5mm	
C3	100p	Ceramic capacitor	
C4	1n	Film capacitor, 7.2 x 2.5mm	
C5	2n2	Film capacitor, 7.2 x 2.5mm	
C6	1n	Film capacitor, 7.2 x 2.5mm	
C7	1u	Electrolytic capacitor, 5mm	
C8	100p	Ceramic capacitor	
C9	22n	Film capacitor, 7.2 x 2.5mm	
C10	1u	Electrolytic capacitor, 5mm	
C11	100p	Ceramic capacitor	
C12	1n	Film capacitor, 7.2 x 2.5mm	
C13	470p	Ceramic capacitor	
C14	22n	Film capacitor, 7.2 x 2.5mm	
C15	22n	Film capacitor, 7.2 x 2.5mm	
			<i>Continued on next page...</i>

LOCATION	VALUE	TYPE	NOTES
C16	22n	Film capacitor, 7.2 x 2.5mm	
C17	22n	Film capacitor, 7.2 x 2.5mm	
C18	100n	Film capacitor, 7.2 x 2.5mm	
C19	22n	Film capacitor, 7.2 x 2.5mm	
C20	1u	Electrolytic capacitor, 5mm	
C21	22n	Film capacitor, 7.2 x 2.5mm	
C100	100u	Electrolytic capacitor, 5mm	
C101	10u	Electrolytic capacitor, 5mm	
C102	100u	Electrolytic capacitor, 5mm	
C103	100n	Film capacitor, 7.2 x 2.5mm	
C104	100n	Film capacitor, 7.2 x 2.5mm	
D1	1N5232B	Zener diode 1/2W, 5.6V	
D2	1N5232B	Zener diode 1/2W, 5.6V	
D100	1N5817	Schottky diode, DO-41	
IC1	TL072	Dual op-amp, DIP8	
IC2	TL072	Dual op-amp, DIP8	
IC3	TL072	Dual op-amp, DIP8	
IC4	TC1044SCPA	Charge pump IC, DIP8	
VOLUME	B25K	16mm right-angle PCB mount pot	
PRES	C25K	16mm right-angle PCB mount pot	
GAIN	A500K	16mm right-angle PCB mount pot	
TREBLE	B250K	16mm right-angle PCB mount pot	
MID	B25K	16mm right-angle PCB mount pot	
BASS	A1M	16mm right-angle PCB mount pot	
DEEP	SPDT	Toggle switch, SPDT	2-position (ON/ON)

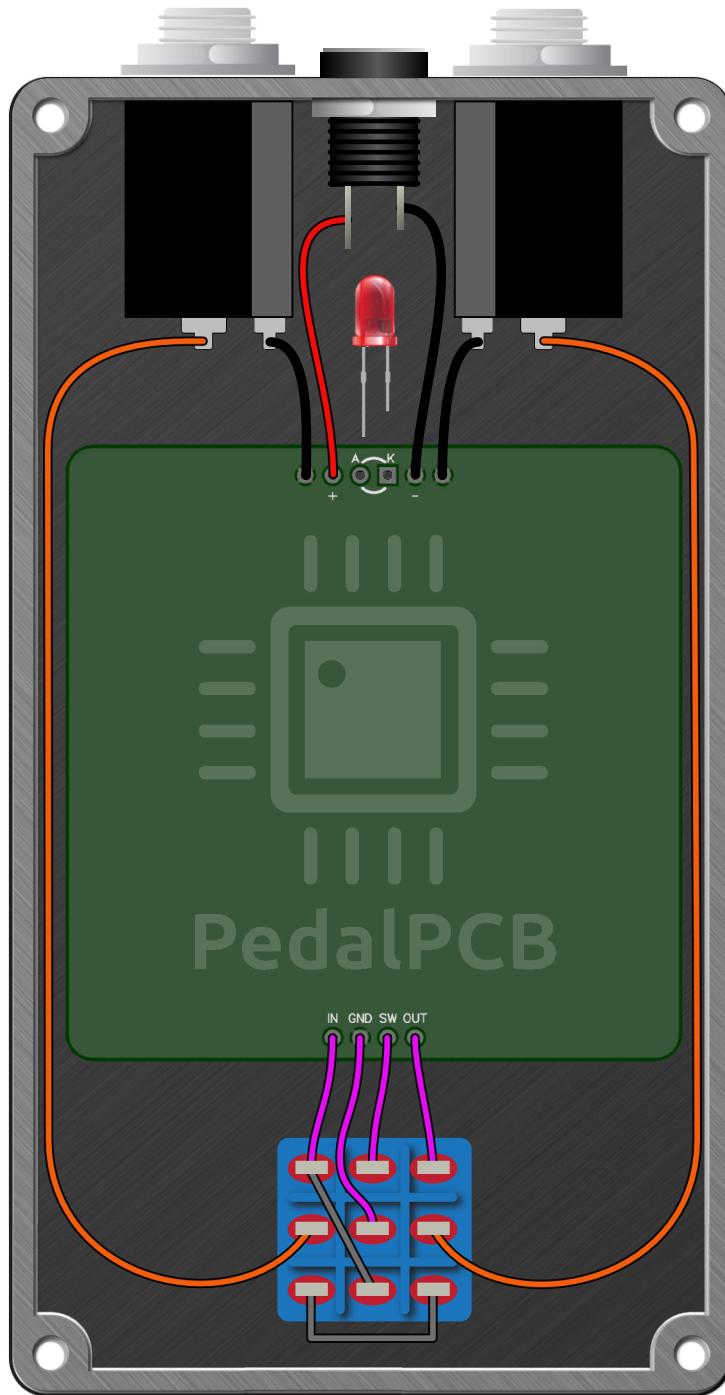
# Lead Solder Overdrive

## Schematic Diagram



# Lead Solder Overdrive

Wiring Diagram



# Lead Solder Overdrive

Drill Template  
125B Enclosure

