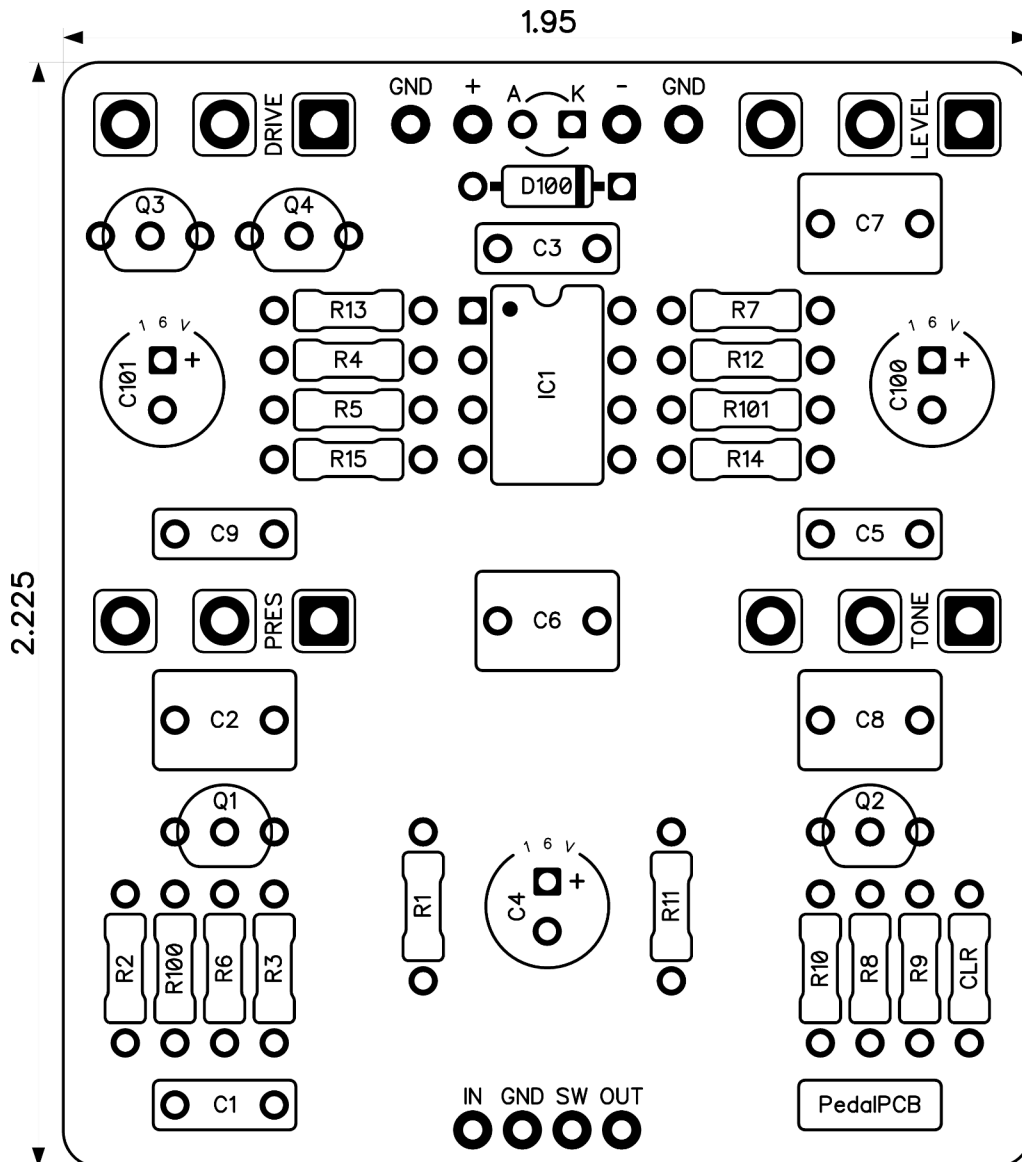


PedalPCB

Kudzu Overdrive

Revised 12/16/23



CONTROLS AND FEATURES

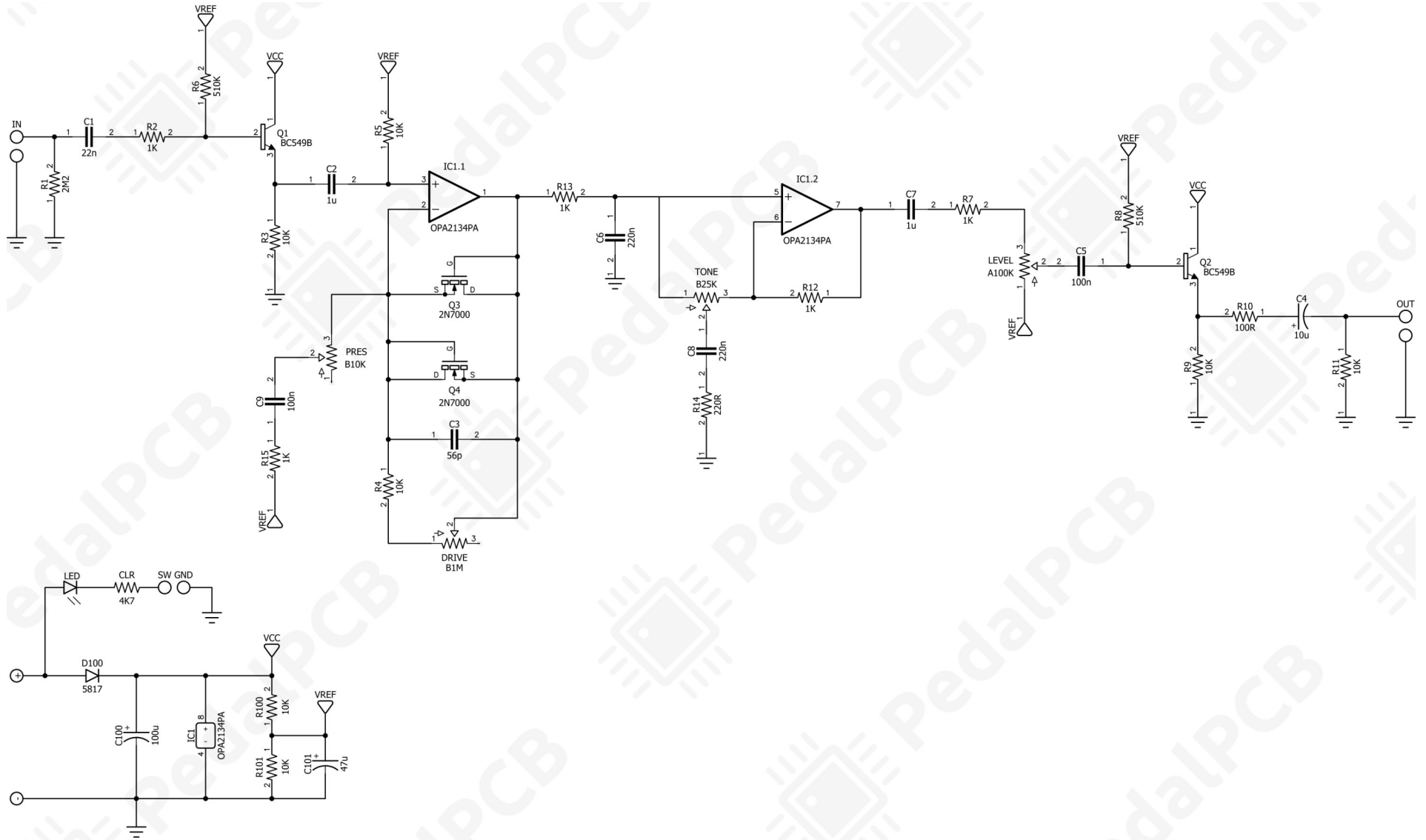
- Level
- Drive
- Tone
- Presence

All trademarks and registered trademarks are the property of their respective owners. The company, product, and service names used in this web site are for identification purposes only. Use of these names, logos, and brands does not imply endorsement.

LOCATION	VALUE	TYPE	NOTES
R1	2M2	Resistor, 1/4W	
R2	1K	Resistor, 1/4W	
R3	10K	Resistor, 1/4W	
R4	10K	Resistor, 1/4W	
R5	10K	Resistor, 1/4W	
R6	510K	Resistor, 1/4W	
R7	1K	Resistor, 1/4W	
R8	510K	Resistor, 1/4W	
R9	10K	Resistor, 1/4W	
R10	100R	Resistor, 1/4W	
R11	10K	Resistor, 1/4W	
R12	1K	Resistor, 1/4W	
R13	1K	Resistor, 1/4W	
R14	220R	Resistor, 1/4W	
R15	1K	Resistor, 1/4W	
R100	10K	Resistor, 1/4W	
R101	10K	Resistor, 1/4W	
CLR	4K7	Resistor, 1/4W	* LED current limiting resistor
C1	22n	Film capacitor, 7.2 x 2.5mm	
C2	1u	Film capacitor, 7.2 x 5.0mm	
C3	56p	Ceramic capacitor	
C4	10u	Electrolytic capacitor, 5mm	
C5	100n	Film capacitor, 7.2 x 2.5mm	
C6	220n	Film capacitor, 7.2 x 5.0mm	
C7	1u	Film capacitor, 7.2 x 5.0mm	
C8	220n	Film capacitor, 7.2 x 5.0mm	
C9	100n	Film capacitor, 7.2 x 2.5mm	
C100	100u	Electrolytic capacitor, 5mm	
C101	47u	Electrolytic capacitor, 5mm	
D100	1N5817	Schottky diode, DO-41	
Q1	BC549B	BJT transistor, NPN TO-92	
Q2	BC549B	BJT transistor, NPN TO-92	
Q3	2N7000	N-Channel MOSFET	
Q4	2N7000	N-Channel MOSFET	
IC1	OPA2134PA	Dual op-amp, DIP8	
LEVEL	A100K	16mm right-angle PCB mount pot	
DRIVE	B1M	16mm right-angle PCB mount pot	* A1M recommended
TONE	B25K	16mm right-angle PCB mount pot	* C25K recommended
PRES	B10K	16mm right-angle PCB mount pot	* C10K recommended

Kudzu Overdrive

Schematic Diagram





Kudzu Overdrive

Drill Template
125B Enclosure

