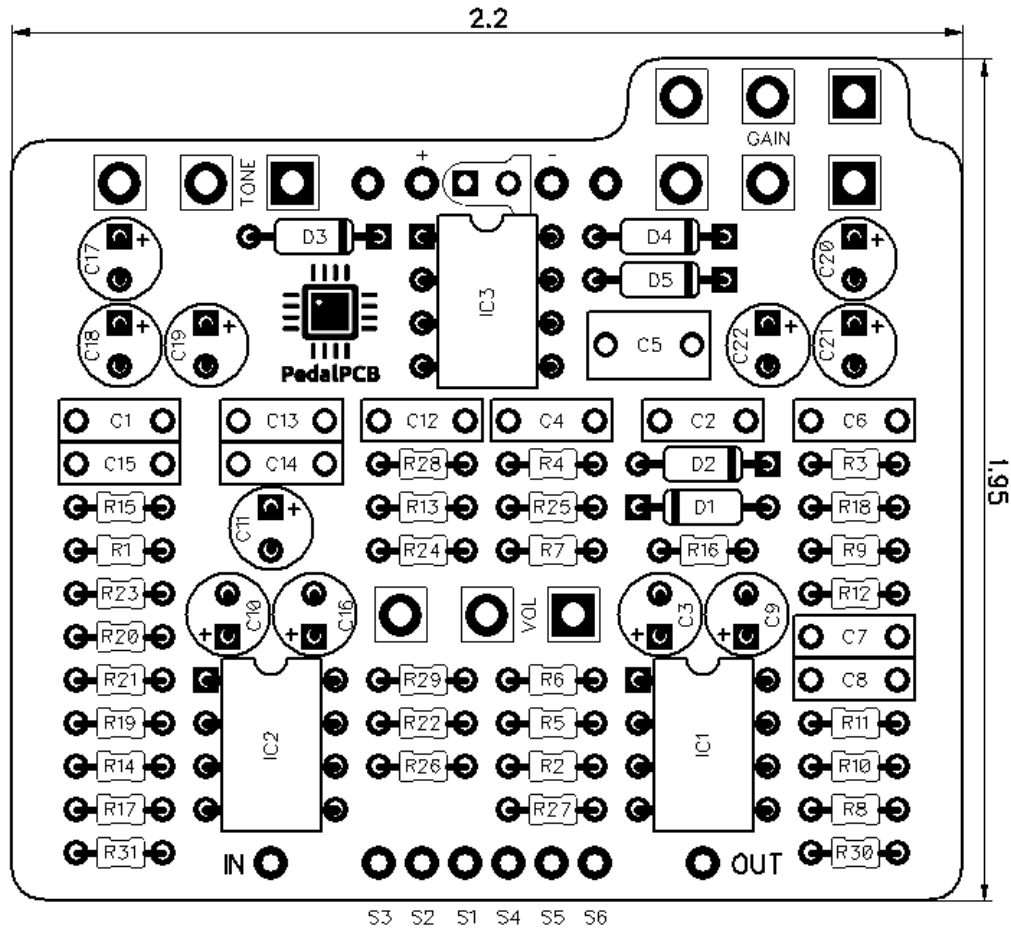




PedalPCB

Kliché Mini

Revision 08.23.19



Controls

- **Volume** - Controls the overall output volume
- **Treble** - Controls the amount of treble content
- **Gain** - Controls the amount of signal gain

All trademarks and registered trademarks are the property of their respective owners. The company, product, and service names used in this web site are for identification purposes only. Use of these names, logos, and brands does not imply endorsement.

RESISTORS (1/8W)

R1 10K
R2 1M
R3 100K
R4 560R
R5 5K1
R6 1K5
R7 1K
R8 10K
R9 2K
R10 15K
R11 422K
R12 1K
R13 1K5
R14 15K
R15 47K
R16 22K
R17 27K
R18 12K
R19 392K
R20 1K8
R21 100K
R22 100K
R23 4K7
R24 560R
R25 27K
R26 27K
R27 3K9
R28 68K
R29 68K
R30 100K
R31 1M

POTENTIOMETERS

VOL B10K
TONE B10K
GAIN B100K DUAL

CAPACITORS

C1 100n
C2 100n
C3 4u7
C4 68n
C5 390n
C6 68n
C7 82n
C8 390p
C9 1u
C10 1u
C11 1u
C12 2n2
C13 27n
C14 820p
C15 3n9
C16 4u7
C17 47u
C18 1u
C19 1u
C20 1u
C21 1u
C22 47u

INTEGRATED CIRCUITS

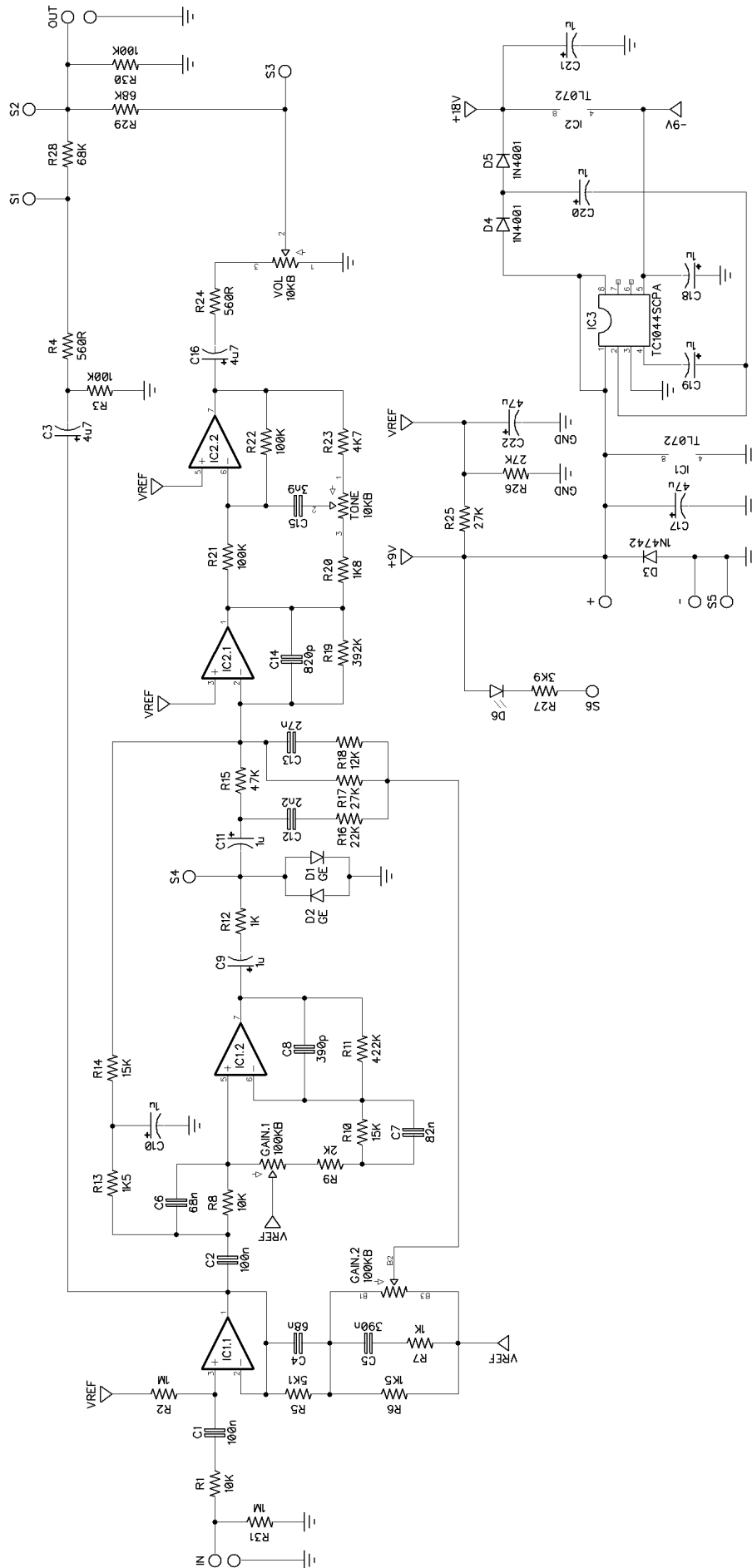
IC1 TL072
IC2 TL072
IC3 TC1044SCPA

DIODES

D1 GE
D2 GE
D3 1N4742
D4 1N4001
D5 1N4001
D6 Indicator LED



Kliché Mini



Kliché Mini

Drill Template
125B enclosure with top mounted jacks

