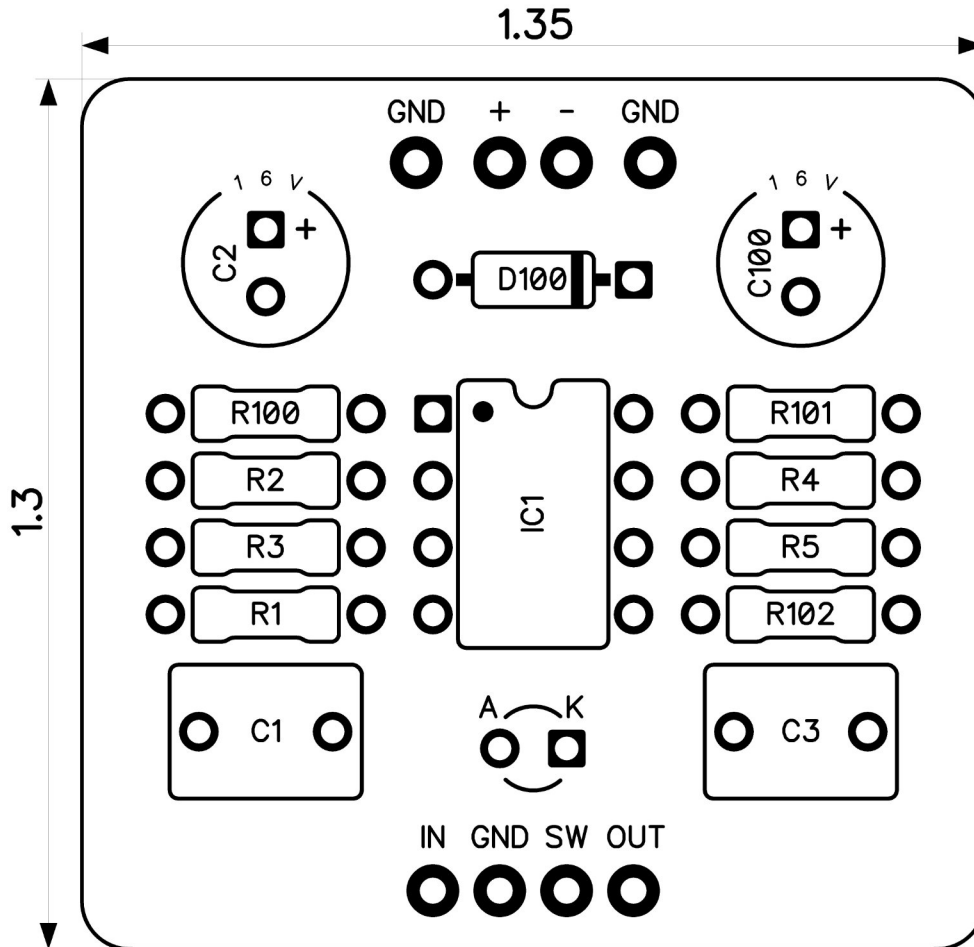




PedalPCB

Kliche Buffer

Revised 8/16/23



CONTROLS AND FEATURES

- None

All trademarks and registered trademarks are the property of their respective owners. The company, product, and service names used in this web site are for identification purposes only. Use of these names, logos, and brands does not imply endorsement.

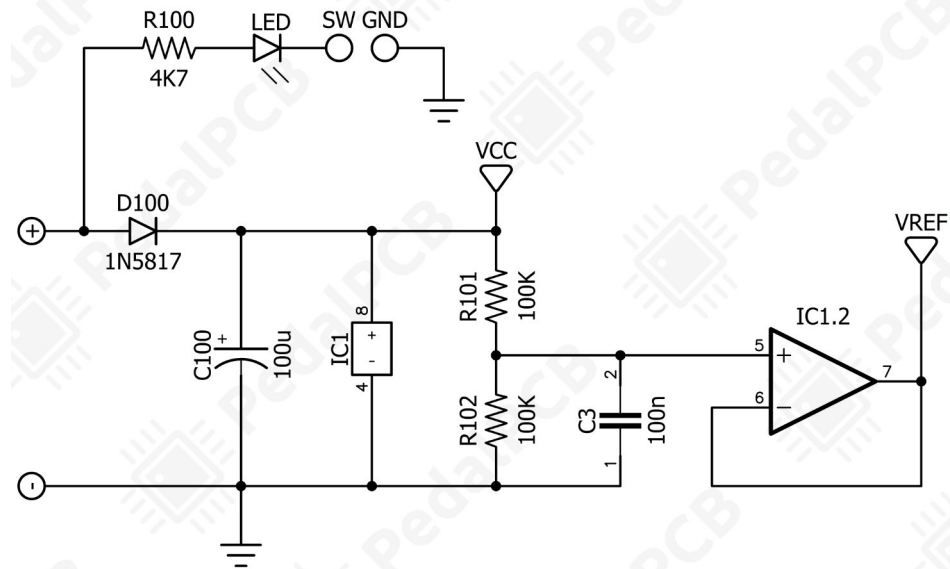
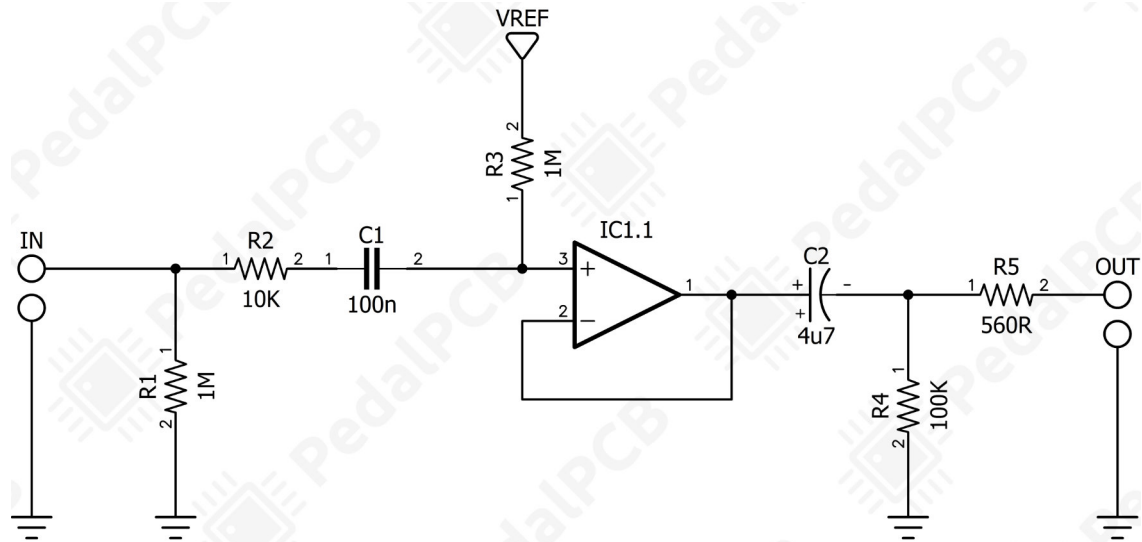
Kliche Buffer

Parts List (Page 1 of 1)

LOCATION	VALUE	TYPE	NOTES
R1	1M	Resistor, 1/4W	
R2	10K	Resistor, 1/4W	
R3	1M	Resistor, 1/4W	
R4	100K	Resistor, 1/4W	
R5	560R	Resistor, 1/4W	
R100	4K7	Resistor, 1/4W	
R101	100K	Resistor, 1/4W	* <i>LED current limiting resistor</i>
R102	100K	Resistor, 1/4W	
C1	100n	Film capacitor, 7.2 x 2.5mm	
C2	4u7	Electrolytic capacitor, 5mm	
C3	100n	Film capacitor, 7.2 x 2.5mm	
C100	100u	Electrolytic capacitor, 5mm	
D100	1N5817	Schottky diode, DO-41	
IC1	TL072	Charge pump IC, DIP8	

Kliche Buffer

Schematic Diagram



Kliche Buffer

Wiring Diagram

