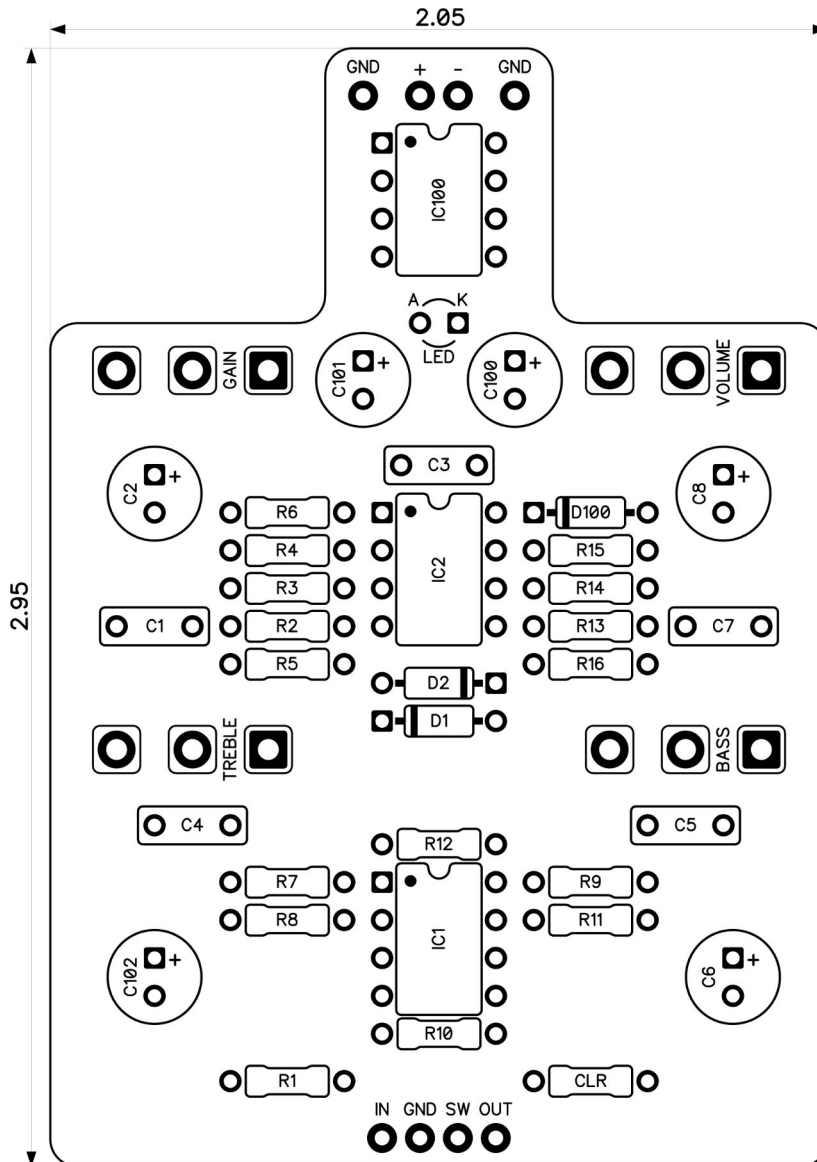


Kittywampus Distortion

Revised 11/30/24



CONTROLS AND FEATURES

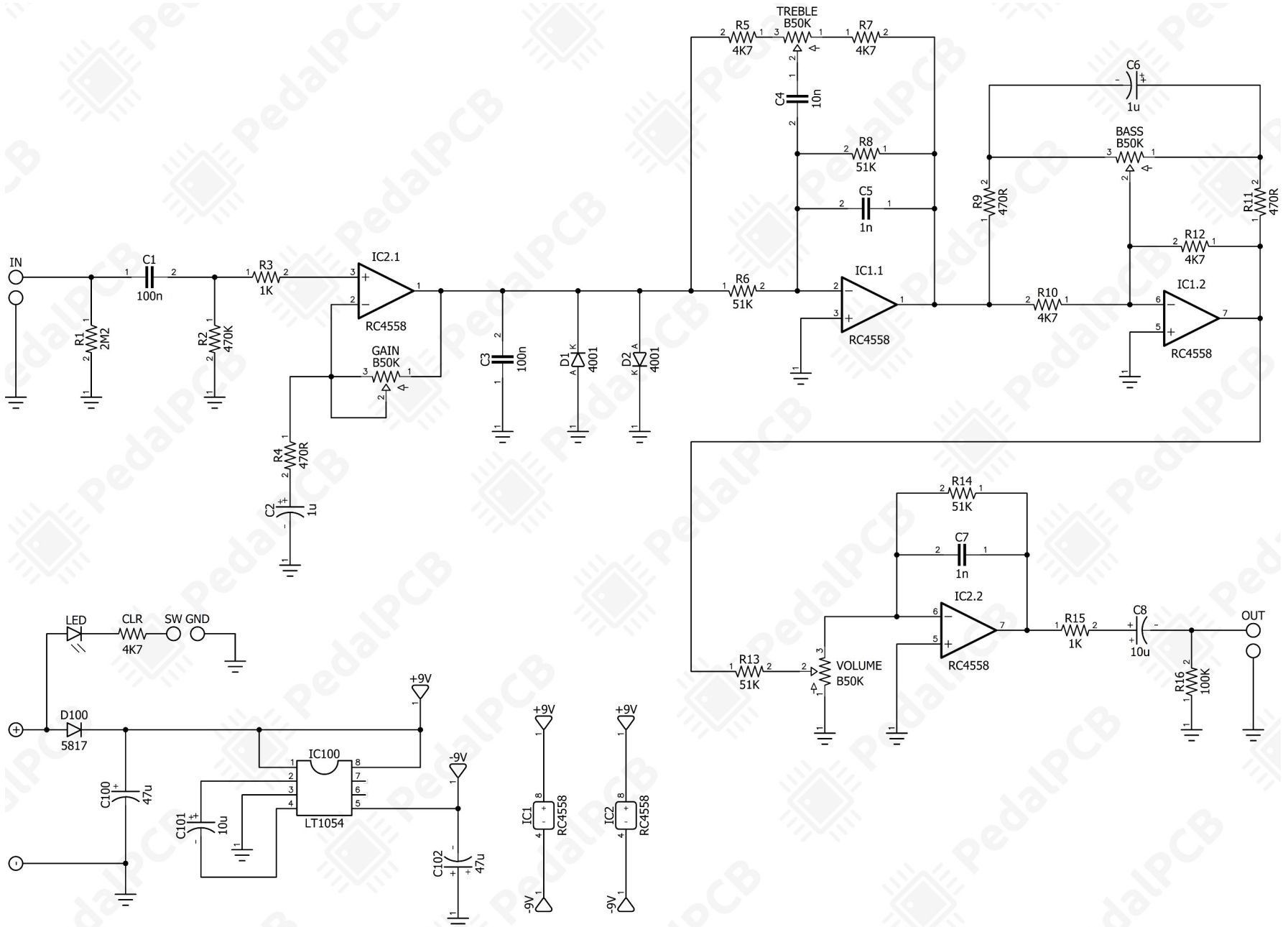
- Volume
- Gain
- Bass
- Treble

All trademarks and registered trademarks are the property of their respective owners. The company, product, and service names used in this web site are for identification purposes only. Use of these names, logos, and brands does not imply endorsement.

LOCATION	VALUE	TYPE	NOTES
R1	2M2	Resistor, 1/4W	
R2	470K	Resistor, 1/4W	
R3	1K	Resistor, 1/4W	
R4	470R	Resistor, 1/4W	
R5	4K7	Resistor, 1/4W	
R6	51K	Resistor, 1/4W	
R7	4K7	Resistor, 1/4W	
R8	51K	Resistor, 1/4W	
R9	470R	Resistor, 1/4W	
R10	4K7	Resistor, 1/4W	
R11	470R	Resistor, 1/4W	
R12	4K7	Resistor, 1/4W	
R13	51K	Resistor, 1/4W	
R14	51K	Resistor, 1/4W	
R15	1K	Resistor, 1/4W	
R16	100K	Resistor, 1/4W	
CLR	4K7	Resistor, 1/4W	* LED current limiting resistor
C1	100nF	Film capacitor, 7.2 x 2.5mm	
C2	1uF	Electrolytic capacitor, 5mm	
C3	100nF	Film capacitor, 7.2 x 2.5mm	
C4	10nF	Film capacitor, 7.2 x 2.5mm	
C5	1nF	Film capacitor, 7.2 x 2.5mm	
C6	1uF	Electrolytic capacitor, 5mm	
C7	1nF	Film capacitor, 7.2 x 2.5mm	
C8	10uF	Electrolytic capacitor, 5mm	
C100	47uF	Electrolytic capacitor, 5mm	
C101	10uF	Electrolytic capacitor, 5mm	
C102	47uF	Electrolytic capacitor, 5mm	
D1	1N4001	Signal diode, DO-35	
D2	1N4001	Signal diode, DO-35	
D100	1N5817	Schottky diode, DO-41	
IC1	RC4558	Dual op-amp, DIP8	
IC2	RC4558	Dual op-amp, DIP8	
IC100	LT1054	Charge pump IC, DIP8	
VOLUME	B50K	16mm right-angle PCB mount pot	
GAIN	B50K	16mm right-angle PCB mount pot	
BASS	B50K	16mm right-angle PCB mount pot	
TREBLE	B50K	16mm right-angle PCB mount pot	

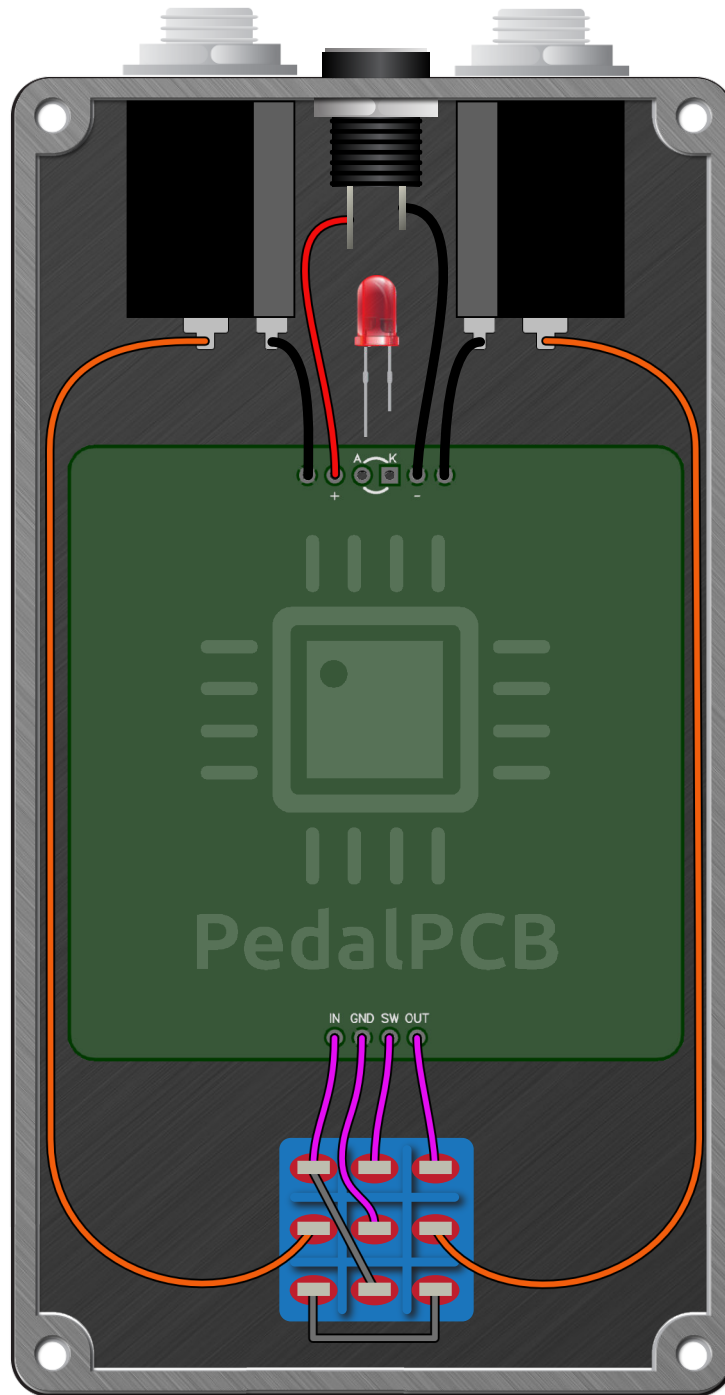
Kittywampus Distortion

Schematic Diagram



Kittywampus Distortion

Wiring Diagram



Kittywampus Distortion

Drill Template
125B Enclosure

