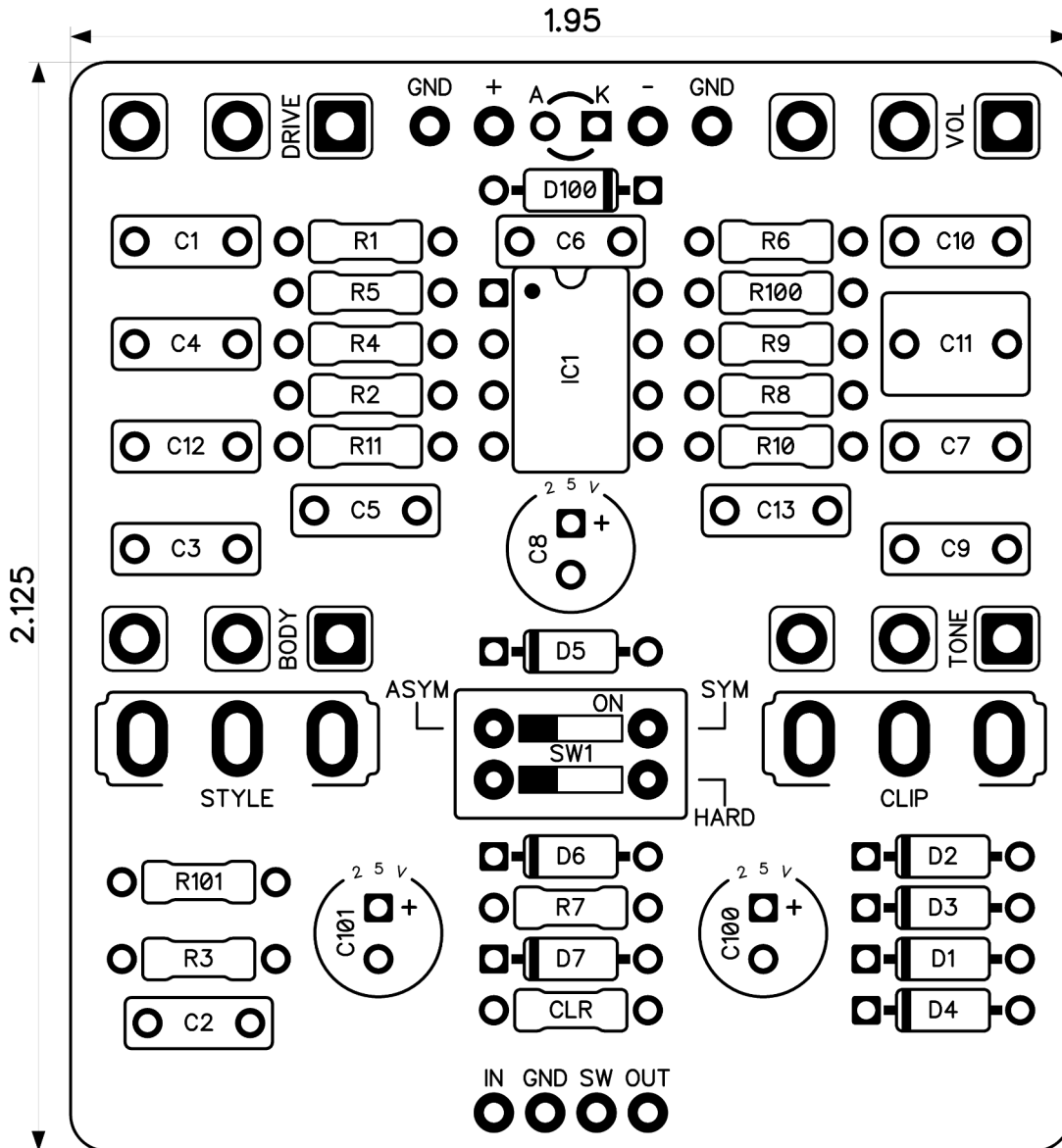


PedalPCB

Kings Hand Overdrive

Revised 2/14/24



CONTROLS AND FEATURES

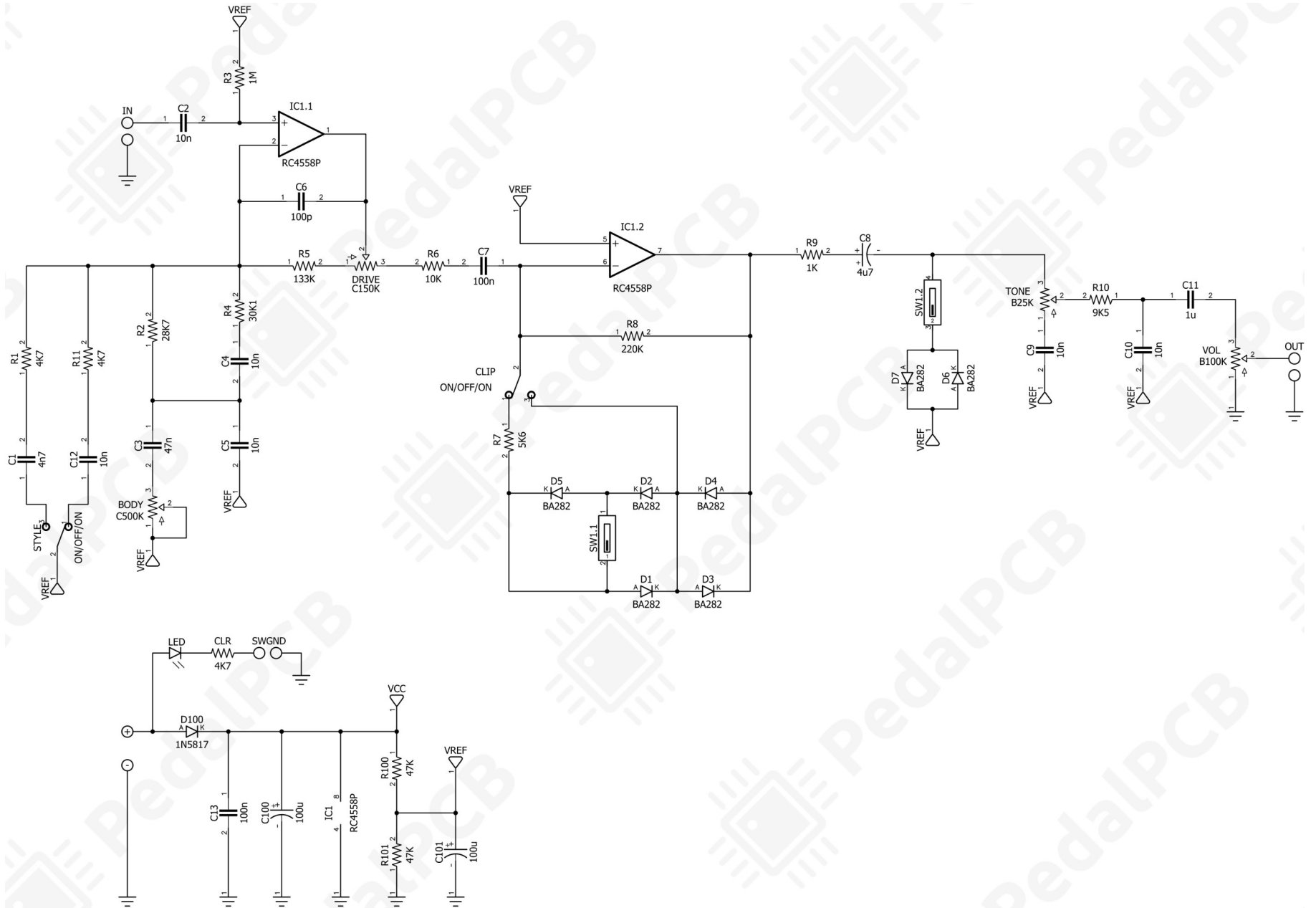
- Volume
- Drive
- Tone
- Body
- Clip (Toggle switch)
- Style (Toggle switch)
- Asymmetrical / Symmetrical Clipping (Dip switch)
- Hard Clipping (Dip switch)

All trademarks and registered trademarks are the property of their respective owners. The company, product, and service names used in this web site are for identification purposes only. Use of these names, logos, and brands does not imply endorsement.

LOCATION	VALUE	TYPE	NOTES
R1	4K7	Resistor, 1/4W	
R2	28K7	Resistor, 1/4W	
R3	1M	Resistor, 1/4W	
R4	30K1	Resistor, 1/4W	
R5	133K	Resistor, 1/4W	
R6	10K	Resistor, 1/4W	
R7	5K6	Resistor, 1/4W	
R8	220K	Resistor, 1/4W	
R9	1K	Resistor, 1/4W	
R10	9K5	Resistor, 1/4W	
R11	4K7	Resistor, 1/4W	
R100	47K	Resistor, 1/4W	
R101	47K	Resistor, 1/4W	
CLR	4K7	Resistor, 1/4W	* LED current limiting resistor
C1	4n7	Film capacitor, 7.2 x 2.5mm	
C2	10n	Film capacitor, 7.2 x 2.5mm	
C3	47n	Film capacitor, 7.2 x 2.5mm	
C4	10n	Film capacitor, 7.2 x 2.5mm	
C5	10n	Film capacitor, 7.2 x 2.5mm	
C6	100p	Ceramic capacitor	
C7	100n	Film capacitor, 7.2 x 2.5mm	
C8	4u7	Electrolytic capacitor, 5mm	
C9	10n	Film capacitor, 7.2 x 2.5mm	
C10	10n	Film capacitor, 7.2 x 2.5mm	
C11	1u	Film capacitor, 7.2 x 5.0mm	
C12	10n	Film capacitor, 7.2 x 2.5mm	
C13	100n	Film capacitor, 7.2 x 2.5mm	
C100	100u	Electrolytic capacitor, 5mm	
C101	100u	Electrolytic capacitor, 5mm	
D1	BA282	Schottky diode, DO-35	
D2	BA282	Schottky diode, DO-35	
D3	BA282	Schottky diode, DO-35	
D4	BA282	Schottky diode, DO-35	
D5	BA282	Schottky diode, DO-35	
D6	BA282	Schottky diode, DO-35	
D7	BA282	Schottky diode, DO-35	
D100	1N5817	Schottky diode, DO-41	
IC1	RC4558P	Dual op-amp, DIP8	
CLIP	ON/OFF/ON	Toggle switch, SPDT	3-position (ON/OFF/ON)
STYLE	ON/OFF/ON	Toggle switch, SPDT	3-position (ON/OFF/ON)
SW1	DIP2	Dip switch, 2-position	
VOL	B100K	16mm right-angle PCB mount pot	
DRIVE	C150K	16mm right-angle PCB mount pot	
TONE	B25K	16mm right-angle PCB mount pot	
BODY	C500K	16mm right-angle PCB mount pot	

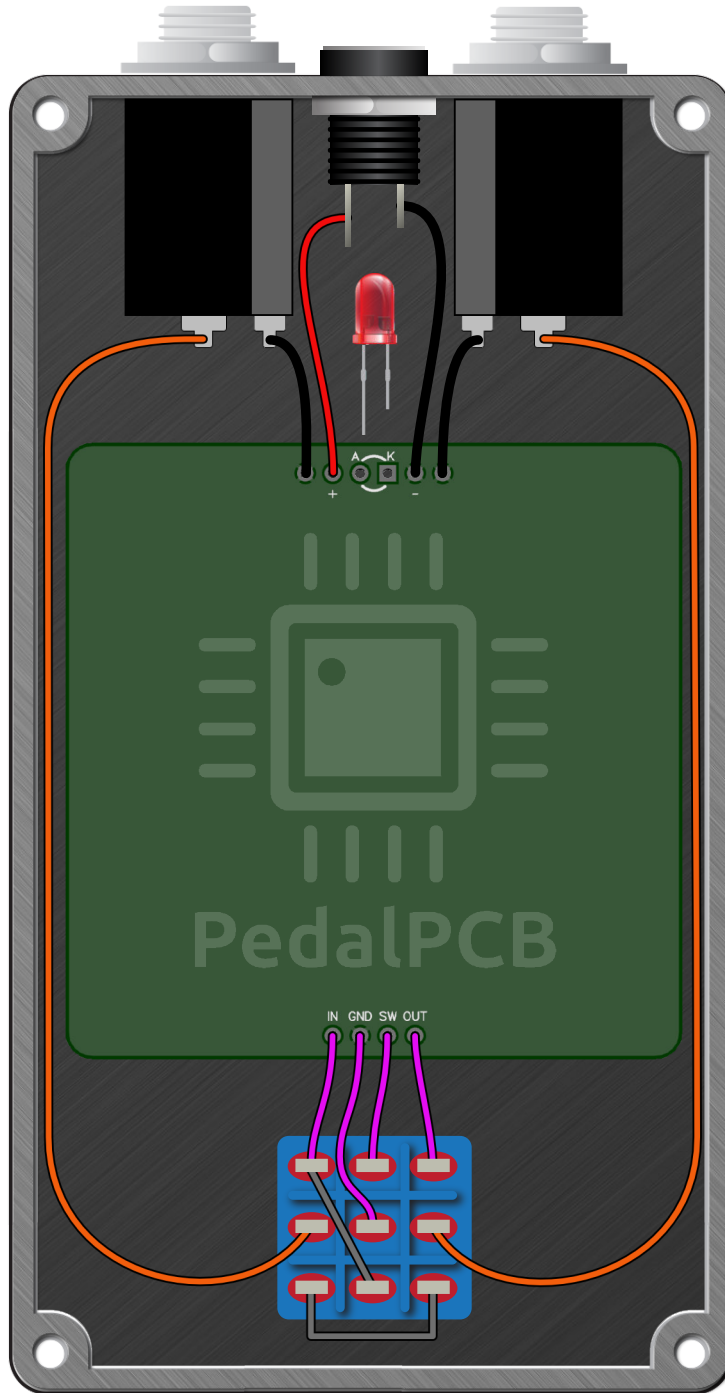
Kings Hand Overdrive

Schematic Diagram



Kings Hand Overdrive

Wiring Diagram



Kings Hand Overdrive

Drill Template
125B Enclosure

