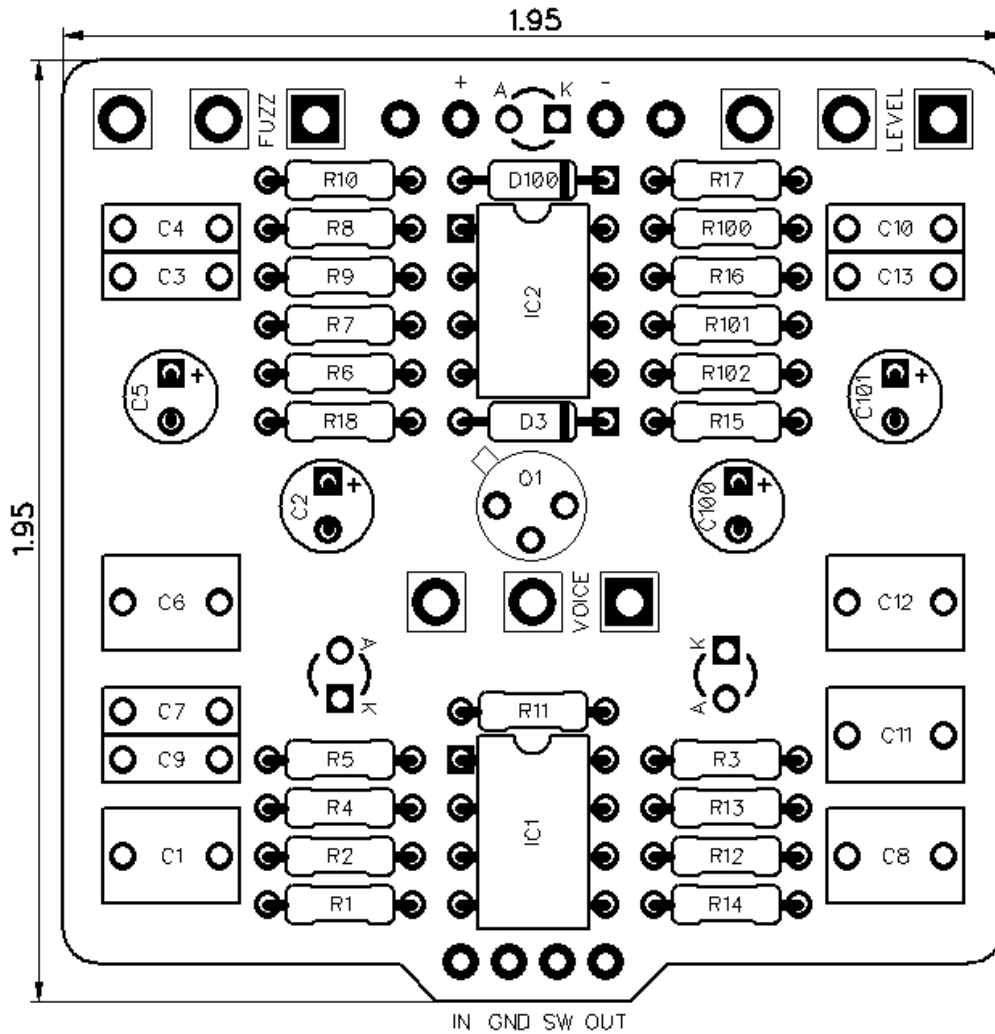




# PedalPCB

## Kinetic Fuzz

Revision 11.06.19



### Controls

- Fuzz
- Voice
- Level

All trademarks and registered trademarks are the property of their respective owners. The company, product, and service names used in this web site are for identification purposes only. Use of these names, logos, and brands does not imply endorsement.

**RESISTORS (1/4W)**

R1 1M  
R2 100K  
R3 100K  
R4 220K  
R5 33K  
R6 15K  
R7 22K  
R8 510K  
R9 47K  
R10 47R  
R11 3K3  
R12 470K  
R13 1K2  
R14 5K6  
R15 8K2  
R16 100K  
R17 10K  
R18 1K5  
R100 4K7  
R101 220K  
R102 220K

**CAPACITORS**

C1 220n  
C2 470n  
C3 10n  
C4 1n  
C5 10u  
C6 1u  
C7 220p  
C8 1u  
C9 100n  
C10 120n  
C11 1u  
C12 1u  
C13 100n  
C100 100u  
C101 10u

**TRANSISTORS**

Q1 AC187

**INTEGRATED CIRCUITS**

IC1 TL072  
IC2 TL072

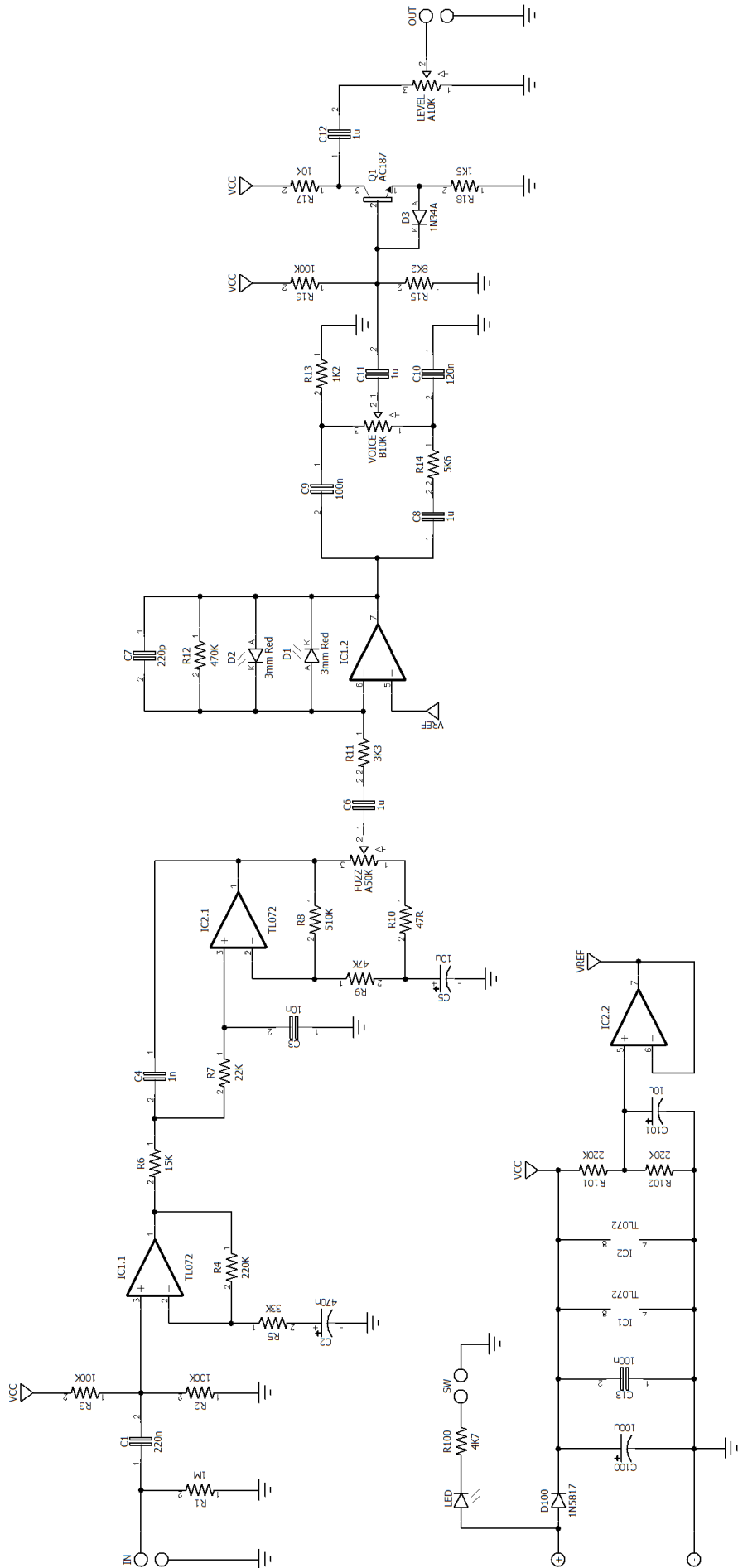
**DIODES**

D1 3mm Red  
D2 3mm Red  
D3 1N34A  
D100 1N5817

**POTENTIOMETERS**

FUZZ A50K  
VOICE B10K  
LEVEL A10K

# Kinetic Fuzz



# Kinetic Fuzz

Wiring Diagram



